

ROLLERS

SERIES 3600

Heavy-duty conveyor roller



Application area

Driven unit handling conveying of heavy materials, such as transport of cardboards, containers, barrels, wheels, pallets or steel containers. Variants with toothed belt drive head are often used when zero maintenance is very important. Compared to a chain, the toothed belt does not have to be greased and, for this reason, is often used in the furniture industry.

Numerous drive types

Numerous drive types are available. The rollers can optionally be driven via chain or toothed belt from roller to roller. It is also possible to use a tangential chain drive.

Low-noise

The use of fiberglass-reinforced, viscoplastic polyamide drive heads results in very quiet running.

Lateral loading

The tube ends are rounded, thereby allowing materials to be easily moved on from the side. Axial forces are removed through ball bearings and seals.

Robust construction

The form-fit connection with notches at the tube ends ensures a radial and axial fixation of the drive heads. To achieve an axial fixation of bearing housing, ball bearing and seal against escaping, the bearing housing is not only pressed into the tube, but also flanged.





ROLLERS SERIES 3600

Heavy-duty conveyor roller

Technical data

General technical data	
Platform	1450
Max. load capacity	3500 N
Max. conveyor speed	0.5 m/s
Anti-static version	Yes
Temperature range	-5 to +40 °C
Material	
Tube	Zinc-plated steel, stainless steel
Shaft	Uncoated steel, zinc-plated steel, stainless steel
Bearing housing	Polyamide, RAL9005 (jet black)
Drive head	Polyamide, RAL9005 (jet black)
Seal	Polyamide, RAL1021 (rape yellow)
Bearing version	Drive side: Precision steel ball bearing 6204 2RZ, greased Non-driven side: Precision steel ball bearing 6205 2RZ, greased

On the drive side, the seal in the internal ring of the ball bearing is not form-fit.

Design versions

Tube sleeves	For tube with Ø 80 mm and T15 sprocket head: PVC sleeve (page 22) Lagging (page 25)
Shafts	The following are available in addition to the variants listed in the load capacity tables: <ul style="list-style-type: none"> • With variable length • Different design of both shaft ends
Tube	The following are available in addition to the variants listed in the load capacity tables: <ul style="list-style-type: none"> • With flanges welded on

T = Number of teeth

ROLLERS

SERIES 3600

Heavy-duty conveyor roller



Load capacities of series 3600

The load capacity table refers to a temperature range of +5 to +40 °C.
Valid for the following shaft designs: female thread or male thread.

Bearing: 6204 2RZ and 6205 2RZ.

Tube material	Ø Tube/ thickness [mm]	Drive element	Ø Shaft [mm]	Maximum static load [N] for installation length [mm]						
				400	600	800	1000	1200	1400	1600
Steel	80 x 2	Polymer sprocket head 5/8", T15 and T18	20	3500	3500	3500	3500	3500	3310	2510
		Polymer double sprocket head 5/8", T15 and T18		3500	3150	3005	2925	2880	2845	2600
		Polymer toothed belt drive head 8, T25		3500	3150	3005	2925	2880	2845	2600
Steel	80 x 3	Polymer sprocket head 5/8", T15 and T18		3500	3500	3500	3500	3500	3500	3500
		Polymer double sprocket head 5/8", T15 and T18		3500	3150	3005	2925	2880	2845	2825
		Polymer toothed belt drive head 8, T25		3500	3150	3005	2925	2880	2845	2600
Steel	89 x 3	Polymer sprocket head 5/8", T15 and T18		3500	3500	3500	3500	3500	3500	3500
		Polymer double sprocket head 5/8", T15 and T18		3500	3150	3005	2925	2880	2845	2825
		Polymer toothed belt drive head 8, T25		3500	3150	3005	2925	2880	2845	2825

T = Number of teeth

The width of the toothed belt drive head allows the use of two toothed belts.



ROLLERS SERIES 3600

Heavy-duty conveyor roller

Dimensions

The dimensions of the conveyor roller depend on the shaft version. A sufficient axial play is already taken into account, so that only the actual lane width between side profiles is required for ordering.

Ordering dimensions for tube sleeves, e.g. PVC sleeves, see page 23, and for flanges see page 27.

RL = Reference length/ordering length

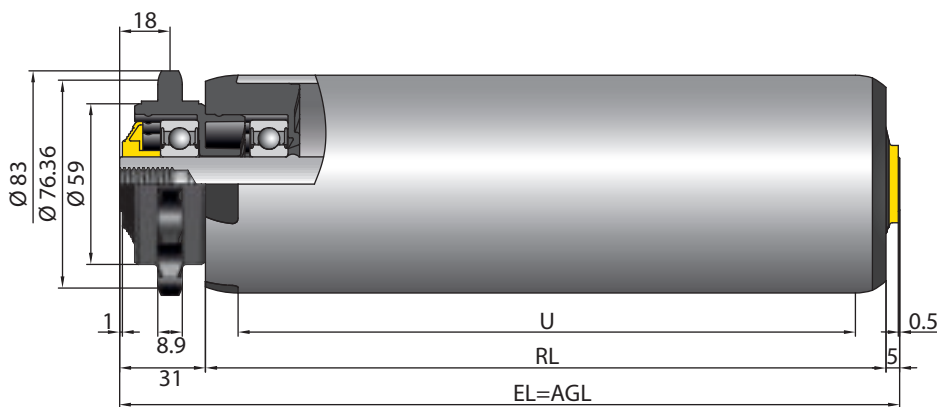
EL = Installation length, inside diameter between side profiles

AGL = Total length of shaft

U = Usable tube length: Length without bearing housing and for flanged metal tube without length of flanging

Ø Tube [mm]	Ø Shaft [mm]	Drive element	EL [mm]	AGL [mm]	U [mm]
80 x 2	20	Polymer sprocket head 5/8", T15 and T18	RL + 36	RL + 36	RL - 24
		Polymer double sprocket head 5/8", T15 and T18	RL + 62	RL + 62	
		Polymer toothed belt drive head 8, T25			
80 x 3	20	Polymer sprocket head 5/8", T15 and T18	RL + 36	RL + 36	RL - 24
		Polymer double sprocket head 5/8", T15 and T18	RL + 62	RL + 62	
		Polymer toothed belt drive head 8, T25			
89 x 3	20	Polymer sprocket head 5/8", T15 and T18	RL + 36	RL + 36	RL - 24
		Polymer double sprocket head 5/8", T15 and T18	RL + 62	RL + 62	
		Polymer toothed belt drive head 8, T25			

5/8" polymer sprocket head with 15 teeth



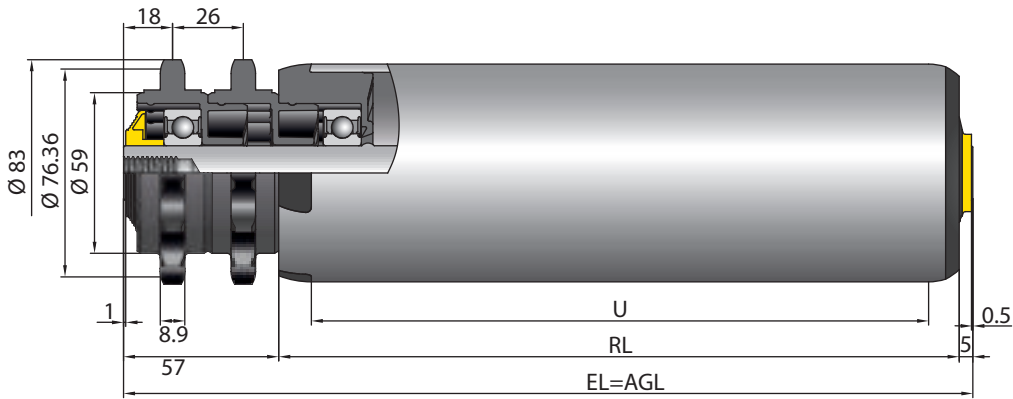
ROLLERS

SERIES 3600

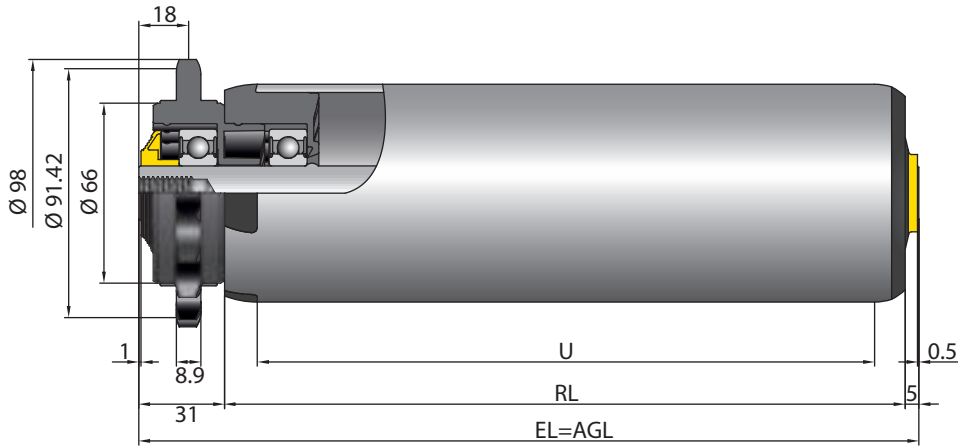
Heavy-duty conveyor roller



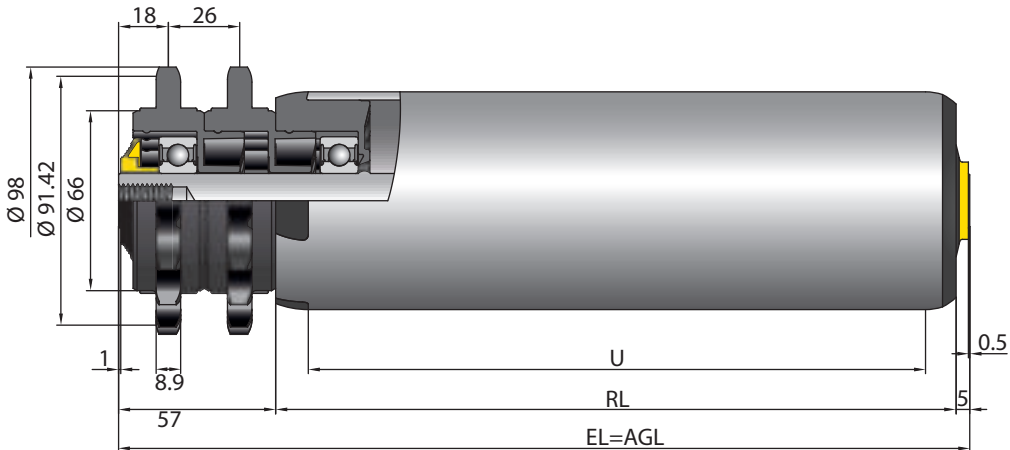
5/8" polymer double sprocket head with 15 teeth



5/8" polymer sprocket head with 18 teeth



5/8" polymer double sprocket head with 18 teeth

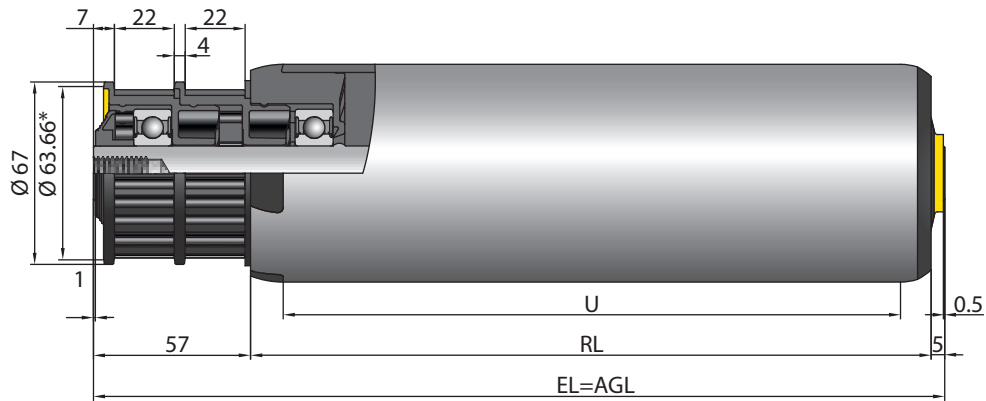




ROLLERS SERIES 3600

Heavy-duty conveyor roller

Toothed belt drive head (8 pitch) with 25 teeth and female threaded shaft



* Effective diameter

Interroll recommends a max. belt width of 20 mm and an HTD gearing.