

CONVEYOR ACCESSORIES

SERIES 2600



Pressure roller



Application area

Suitable for use with conveyors that are driven via flat belts or drive shaft. As belt pressure wheel suitable for flat belts with 20 to 30 mm width. When used on a drive shaft, the round belt guide wheel takes on the function of a friction shaft. A floating fastening on the profile is used.

Solid installation

The support of both ball bearings is accomplished with a space tube and allows a firm screw connection.

Good running properties

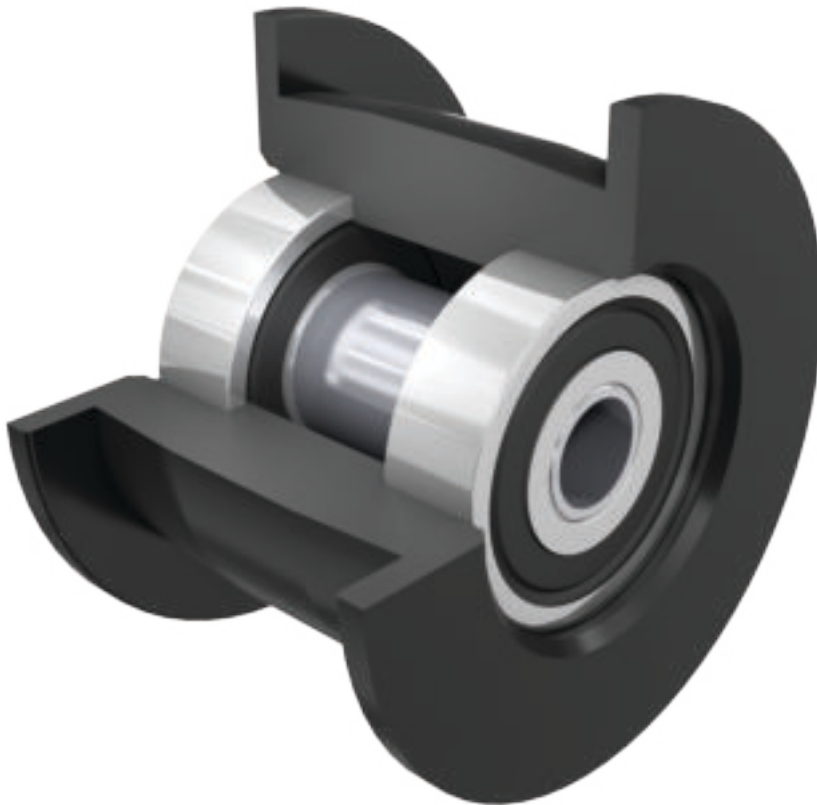
Precision ball bearings of type 6000 2Z and type 688 2Z are used.

Rust-free variant

For use under moist ambient conditions, a version made of stainless steel is available as an alternative. The slide bearings for the round belt guide wheels consist of polyamide.

Reliable belt guides

The running surfaces for the belts feature a spherical shape. It allows the belt to self-center in the guides.





CONVEYOR ACCESSORIES

SERIES 2600

Pressure roller

Technical data

General technical data	
Platform	1700
Max. load capacity	250 N
Max. conveyor speed	2.5 m/s
Temperature range	0 to +40 °C
Material	
Wheels	See load capacity table
Bearing version	See load capacity table
Anti-static version	No

Load capacities of series 2600

The load capacity table refers to a temperature range of 0 to +40 °C.

Drive element	Bearing version	Side guide	Material	Color	Max. conveyor speed [m/s]	Max. static load [N]	Article number
Flat belt	6000 2Z	Yes	Polyamide	Black	2.5	250	S-64000385
	6000 2Z stainless steel	Yes	Polyamide	Black	2.5	250	S-64000386
	688 2Z stainless steel	Yes	Polyoxymethylene	Gray	2.5	200	S-64000387
	6000 2Z	No	Polyamide	Black	2.5	250	S-64000388
Round belt	Slide bearing	No	Polyoxymethylene	Gray	1.2	120	S-64000182

CONVEYOR ACCESSORIES

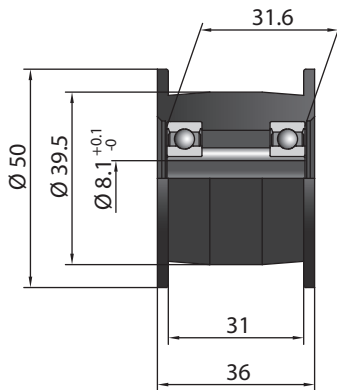
SERIES 2600

Pressure roller

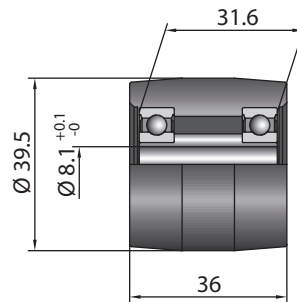


Dimensions

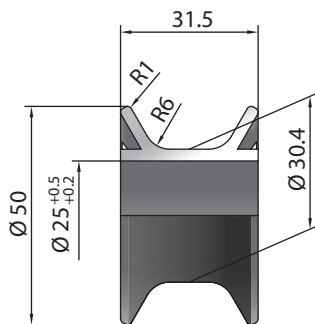
for flat belts with side guide



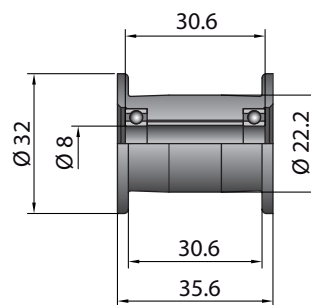
for flat belts



for round belts with side guide



for flat belts with side guide





CONVEYOR ACCESSORIES SERIES 2600

Pressure roller

