

**Installation and Operating Instructions**  
**Interroll Module belt conveyor - straight**  
**SH 1100**  
**Rated width 405 mm (S), 710 mm (M), 862 mm (L)**

**Manufacturer's address**

Interroll Trommelmotoren GmbH  
Center of Excellence Hygienic Solutions  
Opelstraße 3  
41836 Hueckelhoven/Baal (Germany)  
www.interroll.com

**Interroll Service**

Our Service Team will gladly provide advice in case of questions or problems:

Hotline: +49 (0) 2193 - 23 222

E-mail: ceu.service@interroll.com

**Contents**

We strive for the information presented to be correct, up to date and complete. We have carefully developed the contents of this document. Nevertheless, errors and changes are expressly subject to change.

**Copyright / intellectual property right**

Texts, images, graphics and the like as well as their arrangement are protected by copyright and other protection laws. Reproduction, modification, transfer or publication of any part or the entire content of the document in any form is prohibited. This document is intended exclusively for information purposes and for intended use and does not authorize replicating the respective products. All signs contained in this document (registered trademarks, such as logos and business designations) are the property of Interroll Trommelmotoren GmbH or third parties and may not be used, copied or distributed without prior written consent.

## Table of contents

<b>Introduction.....</b>	<b>6</b>
Notes about working with the installation and operating instructions.....	6
Contents of these installation and operating instructions.....	6
Integrated part of the product.....	6
Installation and operating instructions are part of the module.....	6
Warning notices in this document.....	7
Symbols.....	7
<b>Safety .....</b>	<b>8</b>
State of the art.....	8
Intended use.....	8
Field of use.....	8
Changes to the module.....	8
Unintended use.....	9
Personnel qualification.....	9
Operators.....	9
Service personnel.....	9
Electricians.....	9
Personal protective equipment.....	10
Dangers.....	11
Safety devices.....	11
Heat.....	11
Electricity.....	11
Rotating parts.....	11
Parts lying around or falling off.....	11
Risk of injury due to faults during operation.....	11
Insufficient hygiene.....	11
Maintenance intervals.....	11
Interfaces to other devices.....	12
Operating modes.....	12
Normal mode.....	12
Special mode.....	12
<b>Product identification .....</b>	<b>13</b>
Module belt conveyor - straight (SH 1100).....	13
Components.....	13
Property.....	14
Technical data.....	15
Scope of supply.....	17
Nameplate.....	17
<b>Transport and storage .....</b>	<b>18</b>
Transport.....	18
After the delivery.....	18
Storage.....	18



# Interroll Module belt conveyor SH 1100

## Table of contents

<b>Installation .....</b>	<b>19</b>
To be observed during installation .....	19
Electrical installation .....	19
Torque.....	20
Grounding.....	20
Orientation.....	20
Connection .....	20
Anchoring .....	20
Integration into complete system .....	20
Installing supports .....	21
Integrating the module in a complete system.....	22
Installing the universal support.....	23
Installing the side guide .....	25
Installing the photo cell and reflector .....	26
Installing the photo cell.....	27
Installing the reflector.....	28
Connecting the modules.....	29
Straight roller conveyor - straight module belt conveyor (80).....	30
Roller curve - straight module belt conveyor (80).....	31
Straight module belt conveyor (50) - roller curve.....	32
Straight module belt conveyor (50) - straight roller conveyor .....	33
Straight module belt conveyor (50) - straight module belt conveyor (50).....	34
Straight module belt conveyor (80) - straight module belt conveyor (50).....	35
Module belt curve - front straight module belt conveyor (50).....	36
Straight module belt conveyor (50) - lateral diverter .....	37
Lateral diverter - straight module belt conveyor (80).....	38
Straight module belt conveyor (80) - front diverter .....	40
Front diverter - straight module belt conveyor (50).....	41
Straight module belt conveyor (50) - transfer module .....	42
<b>Initial startup and operation.....</b>	<b>43</b>
Initial startup.....	43
Operation .....	44
Before every operation start.....	44
During operation .....	44
Procedure in case of accident or fault .....	44
<b>Cleaning.....</b>	<b>45</b>
Preparation for cleaning by hand.....	46
Manual cleaning.....	46
Resistance .....	48
<b>Maintenance and repair .....</b>	<b>49</b>
Observe the following for maintenance and repair .....	49
Maintenance intervals.....	50
Maintenance and inspection list.....	50
Preparatory and follow-up maintenance work .....	51
Removing/installing cover plates at return axles.....	52
Removing/installing contact guard and covers at center drive station.....	53

# Interroll Module belt conveyor SH 1100

## Table of contents

Removing/installing head drive cable connection cover .....	54
Removing/installing center drive cable connection cover.....	54
Removing/installing drum motor end plate.....	55
Removing/installing front side idler axle end plate .....	56
Replacing the module conveyor .....	57
Replacing the module conveyor (head drive).....	57
Replacing the module conveyor (center drive).....	58
Replacing rollers/axles.....	59
Replacing the center drive station .....	60
Replacing the drum motor (head drive).....	62
Removing/installing holder from/on the drum motor (head drive) .....	63
Removing/installing drum motor (center drive).....	64
Replace the sprockets.....	66
Replacing the return axle .....	67
Replacing the front idler axle.....	68
Replacing sliding guides .....	69
Replacing the photo cell and reflector .....	71
Replacing the photo cell.....	71
Replacing the reflector.....	72
<b>Troubleshooting.....</b>	<b>73</b>
In case of a fault.....	73
Troubleshooting .....	73
<b>Spare and wear parts .....</b>	<b>75</b>
Ordering information.....	75
SH 1100 with head drive .....	76
Spare parts drawing of SH 1100 with head drive .....	76
Spare parts list of SH 1100 with head drive .....	77
SH 1100 with center drive .....	79
Spare parts drawing of SH 1100 with center drive .....	79
Spare parts list of SH 1100 with center drive .....	80
<b>Decommissioning and disposal .....</b>	<b>81</b>
Environmental protection regulations.....	81
<b>Declaration of incorporation .....</b>	<b>82</b>
<b>Declaration of incorporation .....</b>	<b>84</b>
<b>Appendix .....</b>	<b>86</b>
Warranty for Interroll module belt conveyors .....	86
Restrictions.....	86
Exceptions.....	86
Interroll Service.....	86

### Introduction

#### Notes about working with the installation and operating instructions

The Interroll Modulbandförderer - gerade product is generally referred to as "module" in this document.

#### Contents of these installation and operating instructions

These installation and operating instructions contain important notes and information about the various operating phases of the module:

- Transport, assembly and startup
- Safe operation, required maintenance tasks, removal of any faults
- Spare parts, supplementary accessories

#### Integrated part of the product

The installation and operating instructions describe the module at the time of its initial delivery after manufacturing.

In addition to these installation and operating instructions, special contractual agreements and technical documents apply to special versions of the module and its additional equipment.

#### Installation and operating instructions are part of the module

- ▶ To ensure trouble-free and safe operation, as well as the settlement of possible warranty claims, always read these installation and operating instructions first and observe all information contained herein.
- ▶ Keep the installation and operating instructions close to the module.
- ▶ Pass the installation and operating instructions on to any subsequent operator or occupant. Interroll does not accept any liability for faults or defects due to non-observance of these installation and operating instructions.
- ▶ If you have any questions after reading the installation and operating instructions, please contact Interroll customer service. Contact persons near you can be found on the Internet under: [www.interroll.com/contact](http://www.interroll.com/contact).

## Interroll Module belt conveyor SH 1100

---

### Introduction

### Warning notices in this document

The warning notices refer to risks which may arise while using the module. They are available in four danger levels identified by the signal word:

Signal word	Meaning
DANGER	Identifies a danger with high risk that will result in death or serious injury if it is not avoided.
WARNING	Identifies a danger with medium risk that could result in death or serious injury if it is not avoided.
CAUTION	Identifies a danger with low risk that may result in minor or medium injury if it is not avoided.
NOTICE	Identifies a danger that results in property damages.

### Symbols



This symbol marks useful and important information.

Requirement:

- This symbol represents a prerequisite to be met prior to installation and maintenance work.
- ▶ This symbol marks the steps to be carried out.

### Safety

#### State of the art

The module has been built to comply with the state of the art. Nevertheless, users may encounter hazards during its use.



Disregarding the notices in these installation and operating instructions may lead to life-threatening injuries!

- ▶ Carefully read the installation and operating instructions and follow their content.
- ▶ Observe local accident prevention regulations and general safety regulations that apply in the area of use.

#### Intended use

The module may only be used for industrial applications and in an industrial environment to convey belt conveyor-ready goods, such as all types of boxes, packaged food or beverage units.

The module is an incomplete machine and must be integrated into a complete system prior to operation.

#### Field of use

The module is dimensioned only for a certain field of use and may not be operated outside of these specific limits. For additional information, see the chapter "Technical Data".

Any other use is considered inappropriate. Deviating operating conditions require additional clarifications, a special release of the module and new contractual agreements.

#### Changes to the module

Any modifications that affect the safety are not permitted.



## Interroll Module belt conveyor SH 1100

---

### Safety

#### Unintended use

Any use beyond the intended use is considered inappropriate or, if required, must be authorized by Interroll Trommelmotoren GmbH. Setup and operation in explosive atmospheres is prohibited. The use in a medical-pharmaceutical area requires the approval from Interroll.

The transport of persons is prohibited.

The transport of hazardous or damaging goods is prohibited.

The transport of hot or hygroscopic goods is prohibited.

Installation in unprotected rooms exposed to the weather or in areas where the technology deteriorates and can fail due to the prevailing climatic conditions is considered inappropriate use.

Use of the module is not intended for private end customers! Use in a residential area is prohibited without additional assessment and without the use of EMC protective measures that have been adapted accordingly!

#### Personnel qualification

Unqualified personnel cannot recognize risks and, as a result, is subject to greater dangers.

- ▶ Authorize only qualified personnel to perform the activities described in these instructions.
- ▶ The operating company must ensure that personnel follow locally applicable regulations and rules about safety and hazards while working.

The following target groups are addressed in these instructions:

<b>Operators</b>	Operators have been instructed in the operation and cleaning of the module and follow the safety guidelines.
<b>Service personnel</b>	The service personnel features a technical training and performs the maintenance and repair tasks.
<b>Electricians</b>	Persons working on electrical installations must have pertinent technical training.

## Interroll Module belt conveyor SH 1100

---

### Safety

#### Personal protective equipment



- ▶ For all work, such as assembly, maintenance and cleaning tasks, wear personal protective equipment that is suitable and appropriate for the hazard situation.



Close-fitting work clothing



Protective gloves



Safety shoes



Hard hat



Hearing protection

---

## Interroll Module belt conveyor SH 1100

---

### Safety

### Dangers



The following list informs you about the various types of danger or damage that may occur while working with the module.

#### Safety devices

- ▶ Perform any maintenance and repair work on the module only when it is powered down and ensure that it cannot be started accidentally.
- ▶ In an area frequented by people or if people can reach between conveying goods, take additional protective measures.
- ▶ Do not remove protective covers or housing.
- ▶ Regularly check the safety devices.

#### Heat

- ▶ Do not touch the drum motor during operation. Risk of burns.

#### Electricity

- ▶ Reach into the module only if the module is de-energized.

#### Rotating parts

- ▶ Never wear loose clothing.
- ▶ Never wear jewelery, such as necklaces or bracelets.
- ▶ If you have long hair, always wear a hair net.

#### Parts lying around or falling off

- ▶ Remove equipment or material which is not required from the workspace.
- ▶ Wear safety shoes.
- ▶ Specify and monitor careful placement of the goods on the conveyor.

#### Risk of injury due to faults during operation

- ▶ Regularly check the module for visible damage.
- ▶ Stop the module at once and ensure that it cannot be started accidentally in case of: Smoke from a fire, unusual noise, blocked or defective conveying good, defective supports, side guides or accessory devices, unauthorized removal of safety covers.
- ▶ Promptly have qualified personnel determine the cause of the fault.
- ▶ Immediately remove any escaping gear oil.
- ▶ Do not step onto the module during operation.

#### Insufficient hygiene

- ▶ Clean the module regularly.
- ▶ Follow all notices relevant to hygiene in these instructions.

### Maintenance intervals

- ▶ Regularly perform maintenance and inspection work.
- ▶ Use only OEM spare parts.



## Interroll Module belt conveyor SH 1100

### Safety

#### Interfaces to other devices

Hazard locations may occur while integrating the module into a complete system. These are not part of this manual and have to be analyzed during the installation and startup of the complete system.

- ▶ When combining the module with other modules or machinery, check for new hazard locations before startup.
- ▶ If necessary, take further construction measures.

#### Operating modes

**Normal mode** The module is installed at the customer in a complete system and operated as part of the system.

**Special mode** Special operation refers to all operating modes that are required to guarantee and maintain regular operation.

Special operating mode	Explanation	Comment
Transport/storage	Loading and unloading, transport and storage	-
Assembly/initial startup	Installation at the end customer and performing the test run	-
Cleaning	External cleaning without removing protective devices	When powered down
Maintenance/repairs	Maintenance and inspection tasks	When powered down
Troubleshooting	Troubleshooting in the event of a fault	-
Fault elimination	Eliminating the fault	When powered down
Decommissioning	Removal from the complete system	When powered down
Disposal	Removal from the complete system and disassembly	When powered down

## Interroll Module belt conveyor SH 1100

### Product identification

#### Module belt conveyor - straight (SH 1100)

The Interroll straight module belt conveyor is available in the following rated widths (BF):

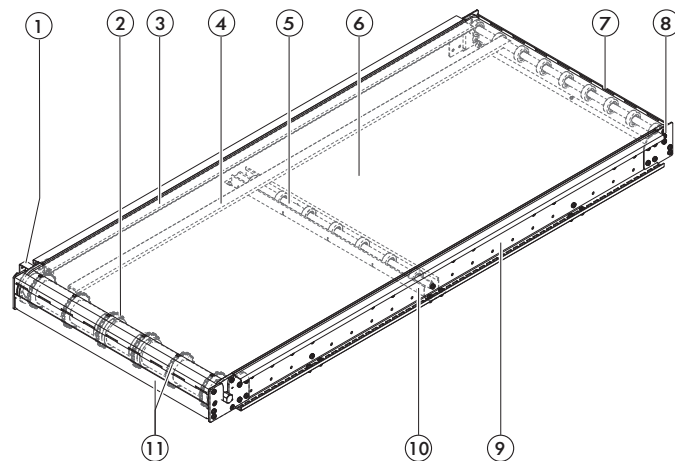
- S: 405 mm
- M: 710 mm
- L: 862 mm

as well as in the following drive variants:

- SH 1100 HD (Head Drive)
- SH 1100 CD (Center Drive)

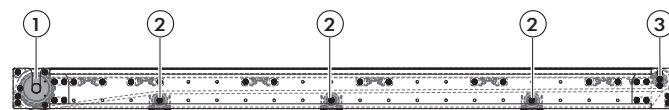
#### Components

The straight module belt conveyor SH 1100 consists of the central ascending belt and features neither upper arch nor feed belt.



Straight module belt conveyor head drive SH 1100 HD with drum motor (top view)

- |   |                               |    |                         |
|---|-------------------------------|----|-------------------------|
| 1 | Cable output protective cover | 7  | End plate               |
| 2 | Head drive drum motor         | 8  | Front idler axle        |
| 3 | Outside sliding guide         | 9  | Side frame              |
| 4 | Inside sliding guide          | 10 | Return axle cover plate |
| 5 | Return axle                   | 11 | Head drive cover        |
| 6 | Module conveyor               |    |                         |

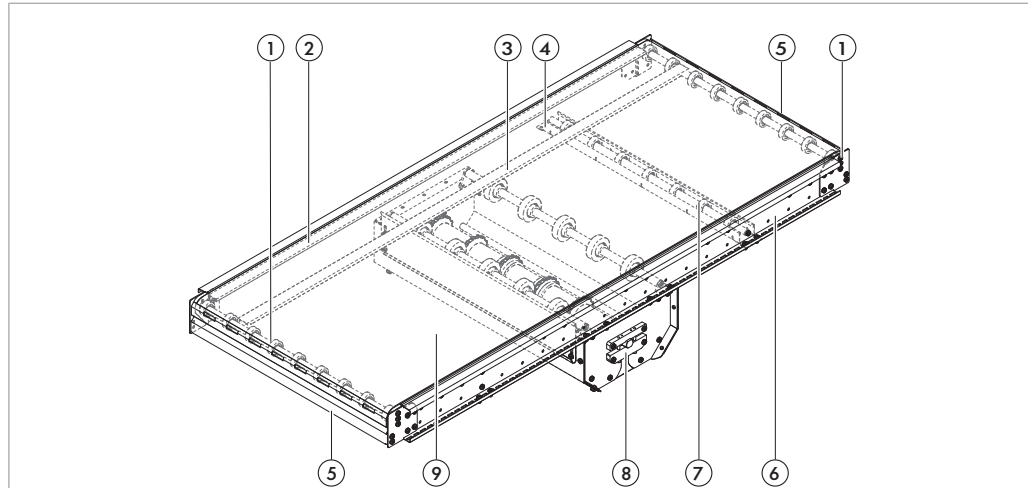


Straight module belt conveyor head drive SH 1100 HD with drum motor (side view)

- |   |                       |   |                  |
|---|-----------------------|---|------------------|
| 1 | Head drive drum motor | 3 | Front idler axle |
| 2 | Return axle           |   |                  |

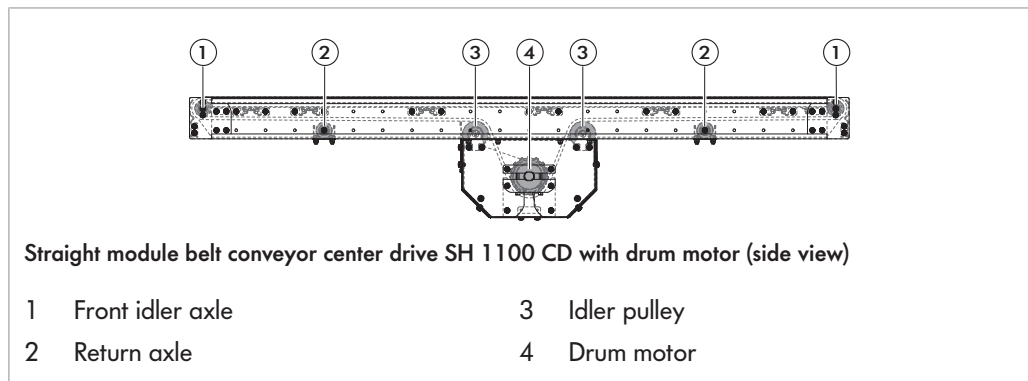
## Interroll Module belt conveyor SH 1100

### Product identification



Straight module belt conveyor center drive SH 1100 CD with drum motor (top view)

- |   |                         |   |                 |
|---|-------------------------|---|-----------------|
| 1 | Front idler axle        | 6 | Side frame      |
| 2 | Outside sliding guide   | 7 | Return axle     |
| 3 | Inside sliding guide    | 8 | Drive station   |
| 4 | Return axle cover plate | 9 | Module conveyor |
| 5 | End plate               |   |                 |



Straight module belt conveyor center drive SH 1100 CD with drum motor (side view)

- |   |                  |   |              |
|---|------------------|---|--------------|
| 1 | Front idler axle | 3 | Idler pulley |
| 2 | Return axle      | 4 | Drum motor   |

### Property

The module belt conveyor is used for the transport of goods that are not suitable for roller tracks, and for all types of goods on inclines and declines.

The module belt conveyor is available with drum motor as center drive (CD) or as head drive (HD).

A frequency inverter can be used as an option. Observe the installation guidelines of the frequency inverter manufacturer (e.g. the frequency inverter from Getriebebau Nord).

## Interroll Module belt conveyor SH 1100

### Product identification

#### Technical data

	<b>SH 1100 HD</b>
Rated width (BF)	405 mm (S)
Conveying width (CW)	710 mm (M) 862 mm (L)
Dimensions of conveying good	Min.: 100 x 100 mm Max.: 700 x 800 mm
Max. load capacity	35 kg/m
Conveyor speed	0.1 to 0.8 m/s
Ambient temperature	-5 to +40 °C
Incline/decline	-6 to -18°; +6 to +18°
Angle adjustability	In increments of 3°
Max. module length	Preselected in the layouter
Conveying height (TOB)	Preselected in the layouter
Number of zones (N)	1
Motor type	Synchronous drum motor DM 0080
Rated voltage	230/400 V 50 Hz 230/460 V 60 Hz
Electrical power	550 W
Drive system	Head drive (HD)
Transmission of force	Sprockets
Frequency inverter	Standard: Getriebebau Nord
Module conveyor	Ammeraal M-QNB-C
Side frame hole spacing	90 mm
Reversibility	No
Protection rating	Drum motor: IP 69 K Frequency inverter: IP 20 or IP 66



## Interroll Module belt conveyor SH 1100

### Product identification

	<b>SH 1100 CD</b>
Rated width (BF)	405 mm (S)
Conveying width (CW)	710 mm (M) 862 mm (L)
Dimensions of conveying good	Min.: 100 x 100 mm Max.: 700 x 800 mm
Max. load capacity	35 kg/m
Conveyor speed	0.1 to 0.8 m/s
Ambient temperature	-5 to +40 °C
Incline/decline	-6 to -18°; +6 to +18°
Angle adjustability	In increments of 3°
Max. module length	Preselected in the layouter
Conveying height (TOB)	Preselected in the layouter
Number of zones (N)	1
Motor type	Synchronous/asynchronous drum motor DM 0080, DM 0113, DM 0138, DM 0165
Rated voltage	230/400 V 50 Hz 230/460 V 60 Hz
Electrical power	550 to 1818 W
Drive system	Center drive (CD)
Transmission of force	Sprockets
Frequency inverter	Standard: Getriebebau Nord
Module conveyor	Ammeraal M-QNB-C
Side frame hole spacing	90 mm
Reversibility	Yes
Protection rating	Drum motor: IP 69 K Frequency inverter: IP 20 or IP 66



# Interroll Module belt conveyor SH 1100

## Product identification

### Scope of supply

The module is delivered completely assembled.

The scope of delivery includes:

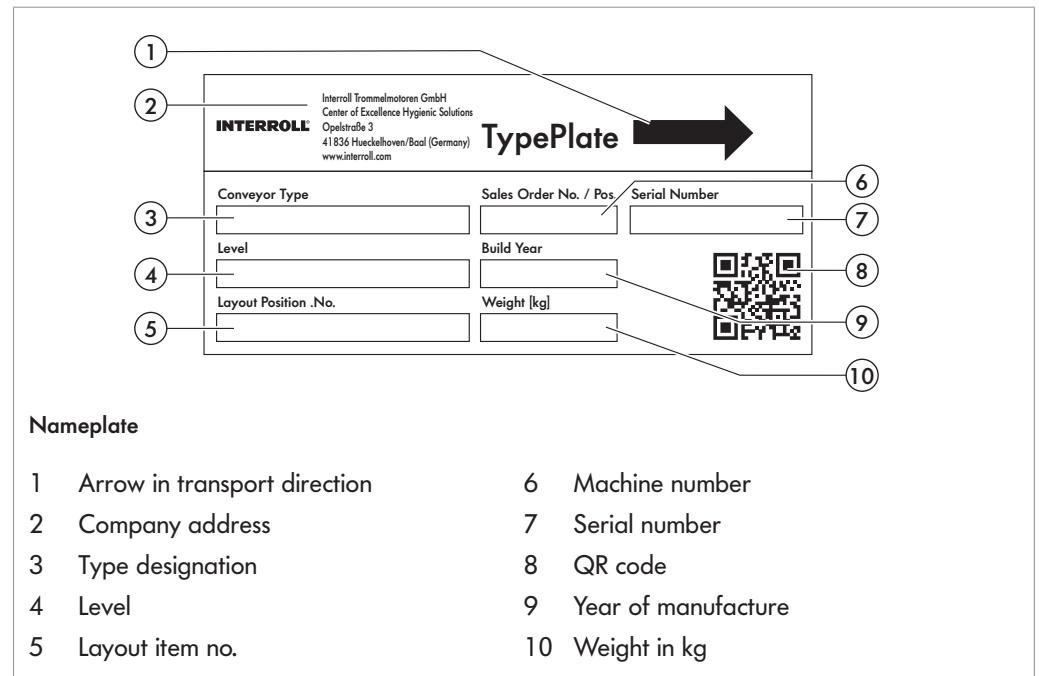
- Rack, including side frames, sliding guides and guide rails
- Drive (drum motor as center drive or head drive)
- Rollers/axles (return axles, front side idler axle, idler pulley)
- Module conveyor
- Covers and end plates

Optional:

- Photo cell and reflector, sensor holder and universal support
- Side guides, side guide brackets and universal support
- Connector sets incl. module connectors and contact guards
- Frequency inverter (e.g. from Getriebebau Nord)
- Electronics
- Supports

The side guide profiles and sensors are delivered installed (if ordered).

### Nameplate



The diagram shows a nameplate with the following fields and features:

- 1: Arrow in transport direction
- 2: Company address (Interroll Trommelmotoren GmbH, Center of Excellence Hygienic Solutions, Opelstraße 3, 41836 Hueckelhoven/Baal (Germany), www.interroll.com)
- 3: Conveyor Type
- 4: Level
- 5: Layout Position .No.
- 6: Machine number
- 7: Serial number
- 8: QR code
- 9: Year of manufacture
- 10: Weight in kg

**Nameplate**

1	Arrow in transport direction	6	Machine number
2	Company address	7	Serial number
3	Type designation	8	QR code
4	Level	9	Year of manufacture
5	Layout item no.	10	Weight in kg

The information on the nameplate is used to identify the conveyor. The type designation is required to use the conveyor according to its intended use.



The nameplate is located on the right side frame.

### Transport and storage

#### Transport

---

##### **WARNING**

###### **Risk of injury during transport**

- ▶ Fasten the module securely and slip-proof for transport.
  - ▶ Ensure that the lifting device (e.g. fork lift) is rated for the weight of the module.
  - ▶ Ensure that there are no persons under the suspended load while lifting and moving the module.
- 

- ▶ Have any persons leave the danger zone.
- ▶ Wear safety shoes.
- ▶ Check correct fastening for transport.
- ▶ Avoid strong impacts during transport.
- ▶ Do not expose the module to strong temperature fluctuations since these could damage the electrical components.

Loosen the transport locks around the package. The crossbeams above the top module can then be removed, thereby exposing the module. The individual module is lifted out of the package using a suitable lifting device.

#### **After the delivery**

- ▶ Inspect module for transport damages.
- ▶ Immediately notify the carrier and manufacturer in case of damages to avoid losing any claims for compensation.

#### Storage

---

##### **WARNING**

###### **Risk of injury due to improper storage**

- ▶ Do not stack modules. Do not place any other objects on the module.
  - ▶ Check module for stability.
- 

- ▶ If the module is not immediately placed in operation, store it at a location protected against humidity and dust.

## Interroll Module belt conveyor SH 1100

---

### Installation

---

#### **WARNING**

##### **Risk of injury due to improper assembly**

- ▶ Mechanical assembly tasks should be performed only by service personnel. Observe the safety information.
  - ▶ Electrical assembly tasks should be performed only by authorized electricians. Observe the safety information.
  - ▶ Carefully install all terminals and connections, such as cables, hoses and pipework, and check for correct fit.
- 

The module is delivered to the installation site as a pre-assembled unit and must be set up, connected and integrated into a system on site.

If available, photo cell and reflector are already pre-assembled and connected. The side guides (universal support, side guide brackets and side guides) are also delivered assembled.

The installation tasks are divided into two sections:

- Setting up the module
- Integrating the module into a complete system

#### **To be observed during installation**

---

##### **Electrical installation**



#### **DANGER**

##### **Danger - energized cable ends!**

- ▶ Electrical installation should only be performed by qualified electricians.
  - ▶ Ensure that the device is powered down.
  - ▶ Minimum bending radii of cables, hoses and lines must be maintained.
- 



#### **DANGER**

##### **Danger to life from electrocution and crushing**

Installation and maintenance tasks on 400-V conveyor systems while they are in operation can cause life-threatening electrocution and serious crushing.

- ▶ Power down the entire conveyor module and ensure that it cannot be started accidentally.
-

## Interroll Module belt conveyor SH 1100

---

### Installation

The module is provided with voltage either via CEE plug or direct installation in the control cabinet.

- ▶ Check cables and components for damage before installation.
- ▶ The connection values of the module are listed on the motor nameplate.



Static electricity

Take proper measures for grounding and potential equalization.



Use only original fuses with specified amperage.

#### Torque

When tightening screws and nuts, always observe the standard tightening torque, unless specifically indicated otherwise. Standard screw lockers should be replaced as needed.

#### Grounding

During installation of the module, its grounding must be ensured. A grounding connection, which is fastened at the supports, is intended for this purpose. It is recommended to connect a grounding connection with grounding cable every 20 m.

#### Orientation

- ▶ Align the module using the height-adjustable feet of the support. The roller top edge (for roller conveyors) or the module conveyor top edge (for module belt conveyors) is the relevant height for aligning the modules. Use suitable tools for the alignment (spirit level or rotation laser).
- ▶ Secure the adjusted height.
- ▶ During alignment of the module, ensure that no moving parts are touching.

#### Connection

- ▶ Connect the individual modules with each other using the profile connector.
- ▶ During the setup of the module, check the passageways for the personnel. Install transitions as necessary.

#### Anchoring

- ▶ Anchor or fasten the module torsion-free, e.g. to the floor or to adjacent components.

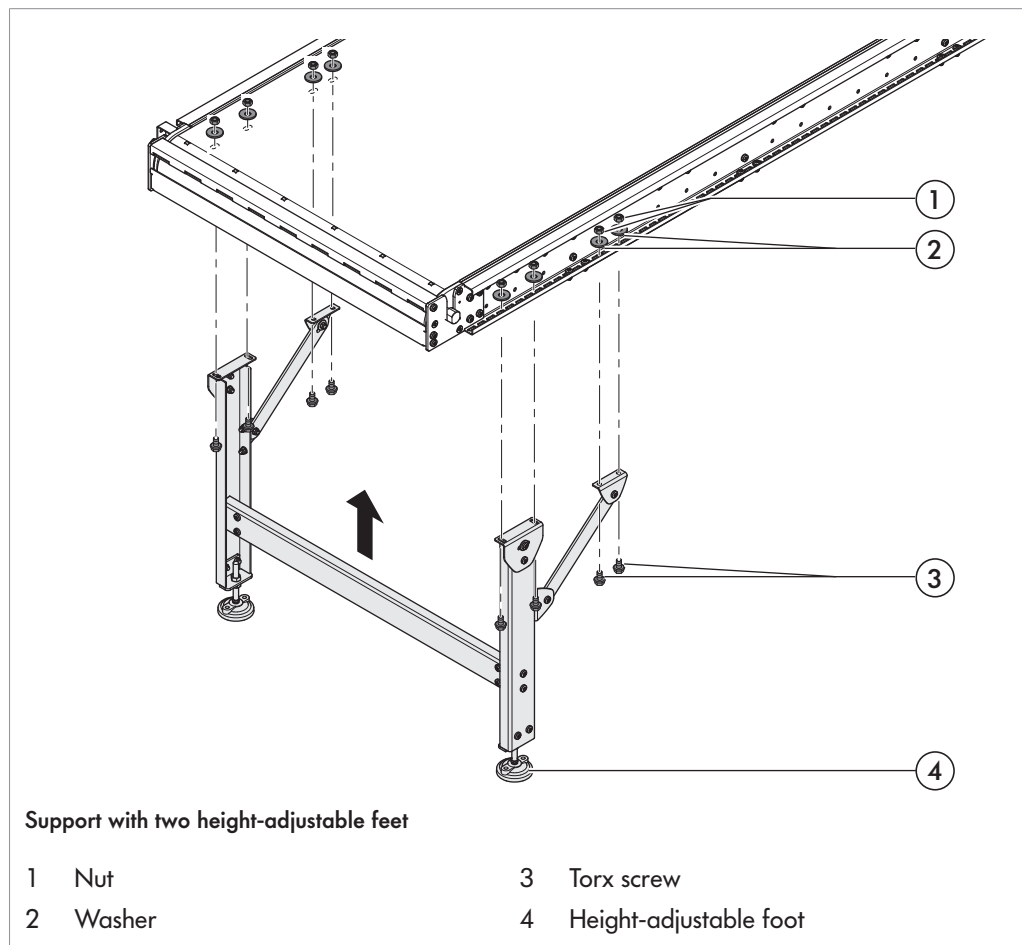
#### Integration into complete system

- ▶ When integrating the module into the complete system, consider possible danger spots, particularly infeed locations and interfaces.

## Interroll Module belt conveyor SH 1100

### Installation

#### Installing supports



### **⚠ CAUTION**

#### **Risk of injury when lifting heavy loads**

- ▶ During the installation and replacement of conveyor modules or heavy spare parts, always work in pairs or use suitable lifting devices.



Fasten screws with a tightening torque of 19 Nm.

The module sits on at least one support. Each support has two height-adjustable feet (4).

- ▶ Place the module on the supports.
- ▶ Position the supports underneath the module.
- ▶ Fasten the rack with screws (3), washers (2) and nuts (1) inside in the side profile.

## Interroll Module belt conveyor SH 1100

---

### Installation

### Integrating the module in a complete system

---

#### CAUTION

##### **Risk of crushing and injuries from cuts**

- ▶ When integrating the module into a complete system, consider possible danger spots, particularly infeed locations and interfaces.
- 

The module is delivered pre-assembled, but integration into a complete system may still require individual installation tasks:

- Install the universal support, see "*Installing the universal support*", page 23.
- Fasten the side guide, see "*Installing the side guide*", page 25.
- Install photo cell and reflector, see "*Installing the photo cell and reflector*", page 26.
- Attach the module connectors and contact guards, see "*Connecting the modules*", page 29.

Integrating the module in a complete system may require installing other components. The corresponding instructions are available in the chapter "Maintenance and Repair".

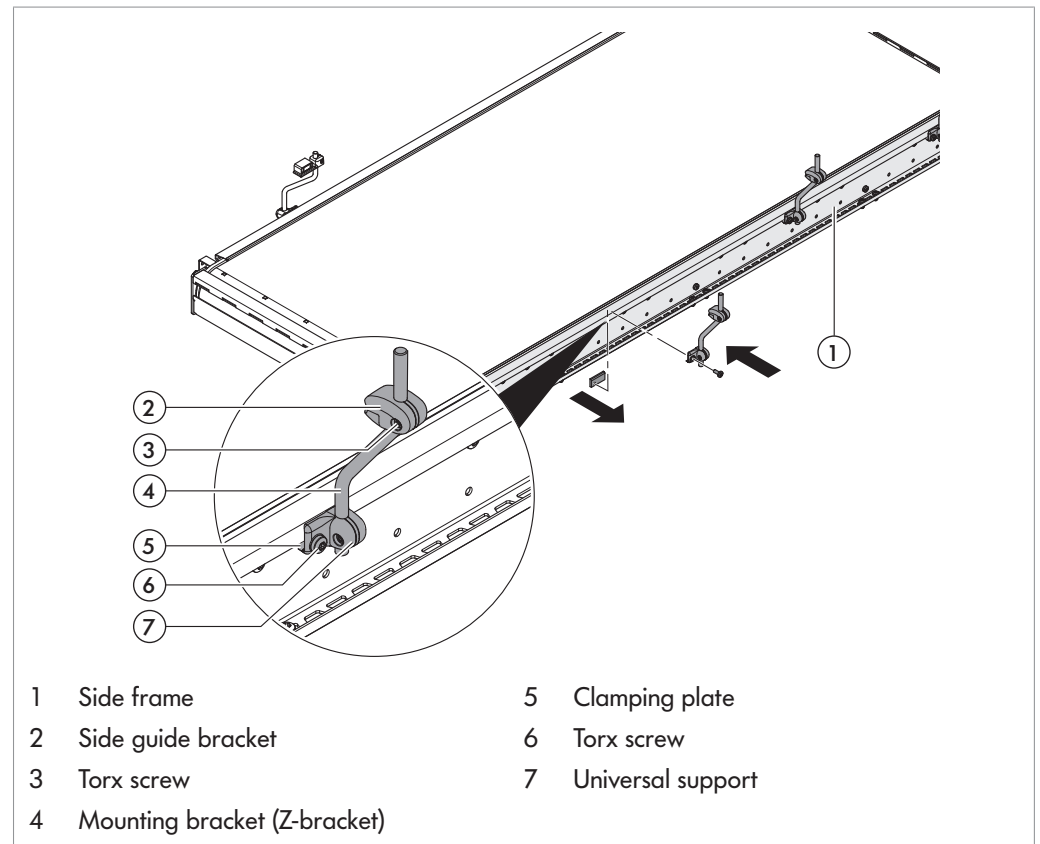
## Interroll Module belt conveyor SH 1100

### Installation

#### Installing the universal support



The universal supports are delivered pre-assembled, with Z or U mounting brackets depending on the selection. The universal supports are turned towards the conveyor center for transport and still must be positioned before startup depending on their use (for the installation of adjustable side guide, photo cell or reflector).



### DANGER

#### Danger to life from electrocution and crushing

Installation and maintenance tasks on 400-V conveyor systems while they are in operation can cause life-threatening electrocution and serious crushing.

- ▶ Power down the entire conveyor module and ensure that it cannot be started accidentally.



Fasten screws with a tightening torque of 19 Nm.

The universal support (7) is installed at the top on the profile of the side frame.

## Interroll Module belt conveyor SH 1100

---

### Installation

Requirement:

- ☑ The module is shut down.
  - ▶ Loosen screw (6) in the universal support, but do not remove it.
  - ▶ Bring clamping plate (5) with universal support (7) from below into position at the profile of the side frame.  
The profile of the side frame is located between clamping plate and universal support.
  - ▶ Tighten the screw (6) at the desired location.
  - ▶ Push side guide bracket (2) onto the mounting bracket (4) of the universal support (7).



Fasten screws with a tightening torque of 6 Nm.

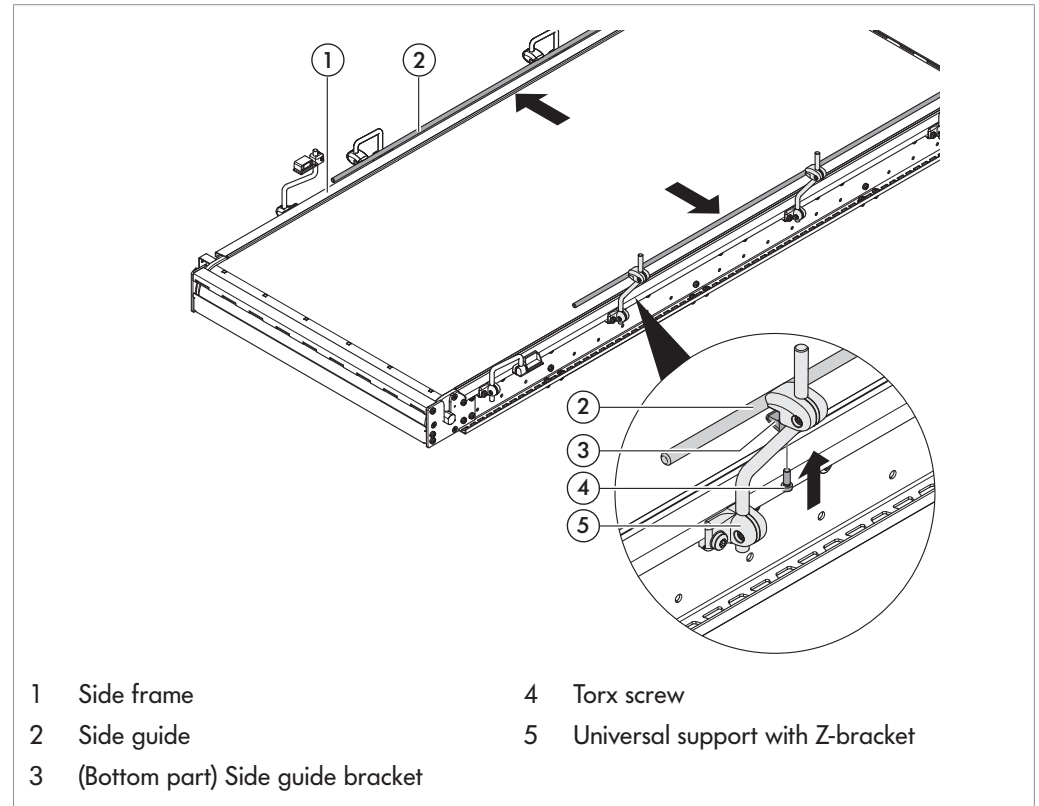
- ▶ Position side guide bracket and firmly tighten screw (3) in the side guide bracket.



## Interroll Module belt conveyor SH 1100

### Installation

#### Installing the side guide



### **⚠ DANGER**



#### **Danger to life from electrocution and crushing**

Installation and maintenance tasks on 400-V conveyor systems while they are in operation can cause life-threatening electrocution and serious crushing.

- ▶ Power down the entire conveyor module and ensure that it cannot be started accidentally.



Fasten screws with a tightening torque of 6 Nm.

Requirement:

- The module is shut down.
  - ▶ Install the universal support, see "*Installing the universal support*", page 23.
  - ▶ Loosen screw (4) slightly.  
The bottom part of side guide bracket (3) loosens.
  - ▶ Place side guide (2) in the opening created and position it.
  - ▶ Tighten the screws (4).
- ⇒ Screw is secured. The side guide bracket sits firmly on the universal support.

## Interroll Module belt conveyor SH 1100

---

### Installation

#### Installing the photo cell and reflector

The photo cell and reflector are each delivered as a complete unit:

- The photo cell is in the photo cell housing.
- The reflective tape is affixed to the reflector.



Photo cell and reflector can be installed along the C-profile of the side frame. The flexible universal support enables adjusting the sensors with respect to height and distance and correctly align them to each other.

---

#### **DANGER**



##### **Danger to life from electrocution and crushing**

Installation and maintenance tasks on 400-V conveyor systems while they are in operation can cause life-threatening electrocution and serious crushing.

- ▶ Power down the entire conveyor module and ensure that it cannot be started accidentally.
- 



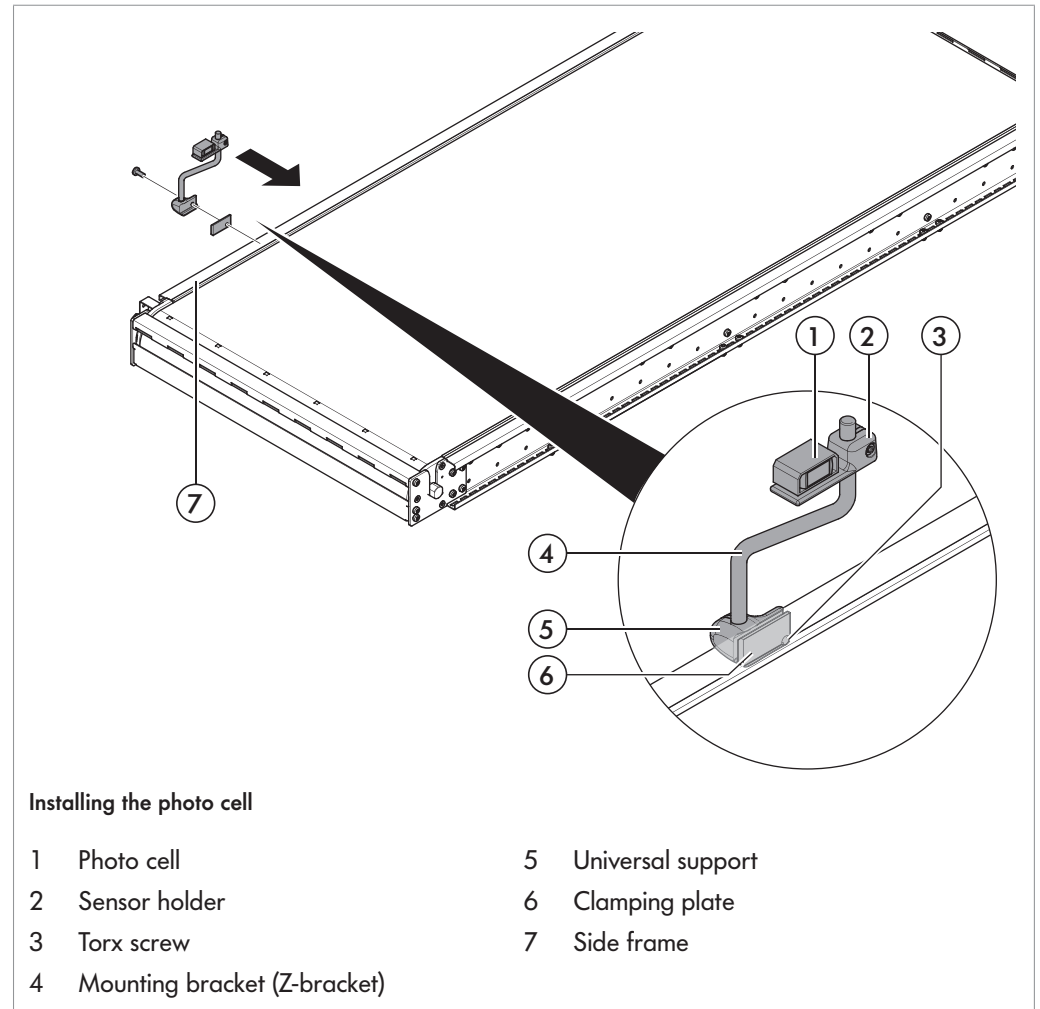
Fasten screws with a tightening torque of 19 Nm.

Photo cell and reflector must be installed exactly facing each other:

## Interroll Module belt conveyor SH 1100

### Installation

#### Installing the photo cell



#### Requirement:

- ☑ The module is shut down.
  - ▶ Loosen screw (3) in the universal support (5), but do not remove it.
  - ▶ Bring clamping plate (6) with universal support (5) from below into position at the profile of the side frame (7).  
The profile of the side frame is located between clamping plate and universal support.
  - ▶ Tighten the screw (3) at the desired location.



The fine adjustment of the photo cell is done with the vertical adjustment of the sensor holder on the mounting bracket until it "sees" the reflector.

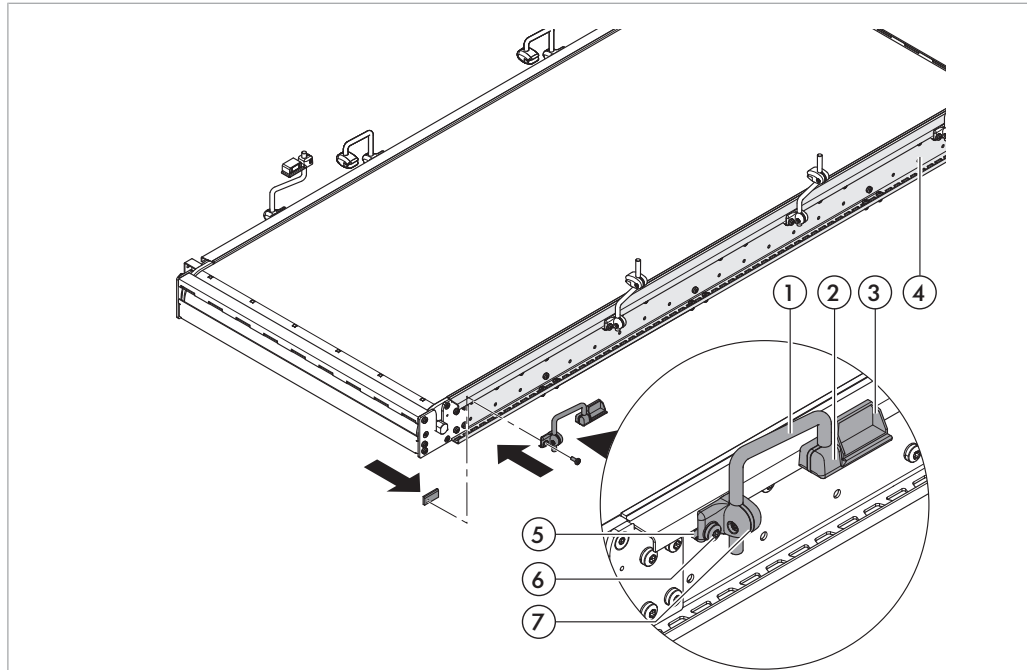


The electrical installation of the photo cell takes place after installing the reflector.

## Interroll Module belt conveyor SH 1100

### Installation

#### Installing the reflector



#### Installing the reflector

- |   |                              |   |                   |
|---|------------------------------|---|-------------------|
| 1 | Mounting bracket (U-bracket) | 5 | Clamping plate    |
| 2 | Sensor holder                | 6 | Torx screw        |
| 3 | Reflector                    | 7 | Universal support |
| 4 | Side frame                   |   |                   |

- ▶ Install the reflector (3) opposite the photo cell.
- ▶ Loosen screw (6) in the universal support (7), but do not remove it.
- ▶ Bring clamping plate (5) with universal support (7) from below into position at the profile of the side frame (4).  
The profile of the side frame is located between clamping plate and universal support.
- ▶ Tighten the screw (6) at the desired location.
- ▶ After installing the photo cell and reflector: Connect the photo cell to the control of the module with a cable.
- ▶ Check whether both LEDs are lit.
- ▶ If the yellow LED flashes, position reflector and photo cell relative to each other.

LED green	LED yellow	Meaning
On	Off	Photo cell is operational. No signal from reflector.
On	On	Photo cell is correctly adjusted. Light beam is well reflected.
On	Flashing	Photo cell is operational. Weak signal. Reflector is dirty, damaged or not correctly adjusted.

## Interroll Module belt conveyor SH 1100

---

### Installation





### Connecting the modules

---

#### CAUTION

##### **Risk of crushing and injuries from cuts**

- ▶ When integrating the module into a complete system, consider possible danger spots, particularly infeed locations and interfaces.
- 

-  The profile connectors are also used for grounding between modules. If no profile connectors are used, alternative measures must be taken for grounding.
-  The modules are aligned based on the top edge of the roller conveyor or module conveyor. Suitable tools for alignment are a spirit level or rotation laser.
-  During setup of the conveyor system, check for passageways for personnel. Install crossings as necessary.
-  Fasten screws with a tightening torque of 19 Nm.

The individual modules of a complete conveyor system are screwed together using connector sets. The following module connectors are available for this module:

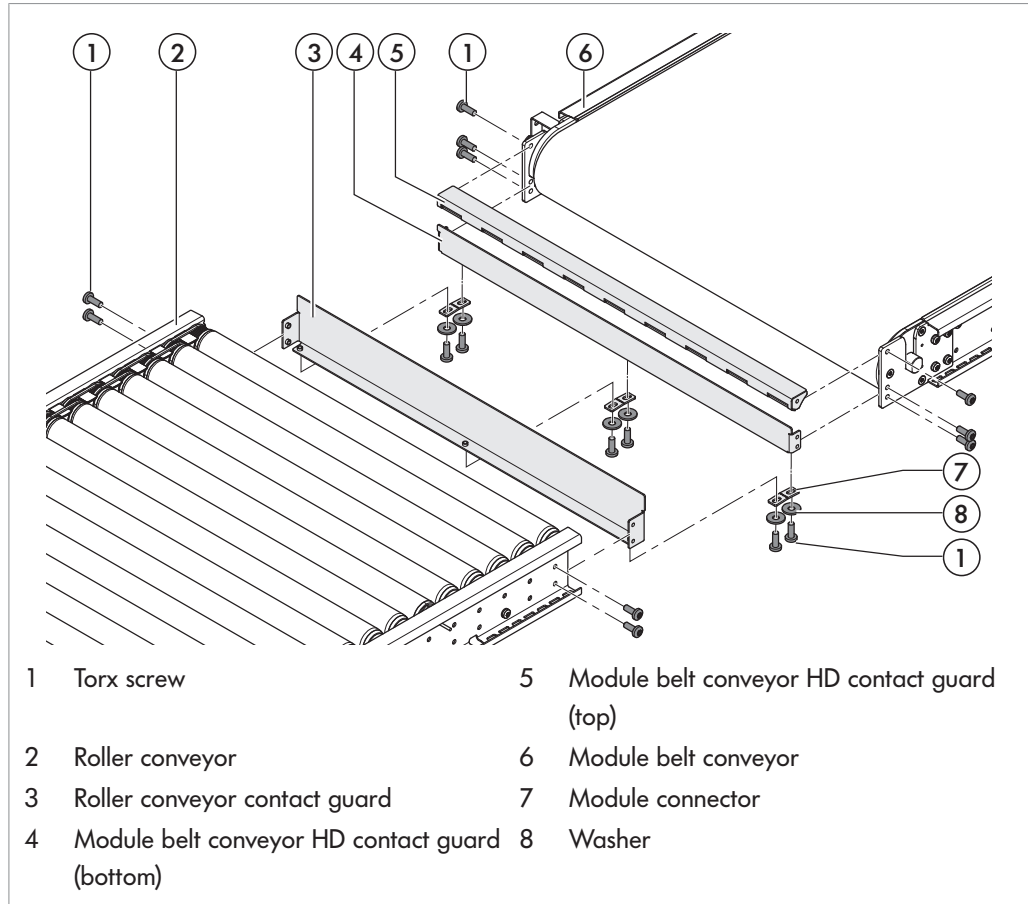
## Interroll Module belt conveyor SH 1100

### Installation

#### Straight roller conveyor - straight module belt conveyor (80)

The modules can be connected with each other in different ways:

- Horizontal
- Up to max. 4° ascending
- Up to max. 4° descending

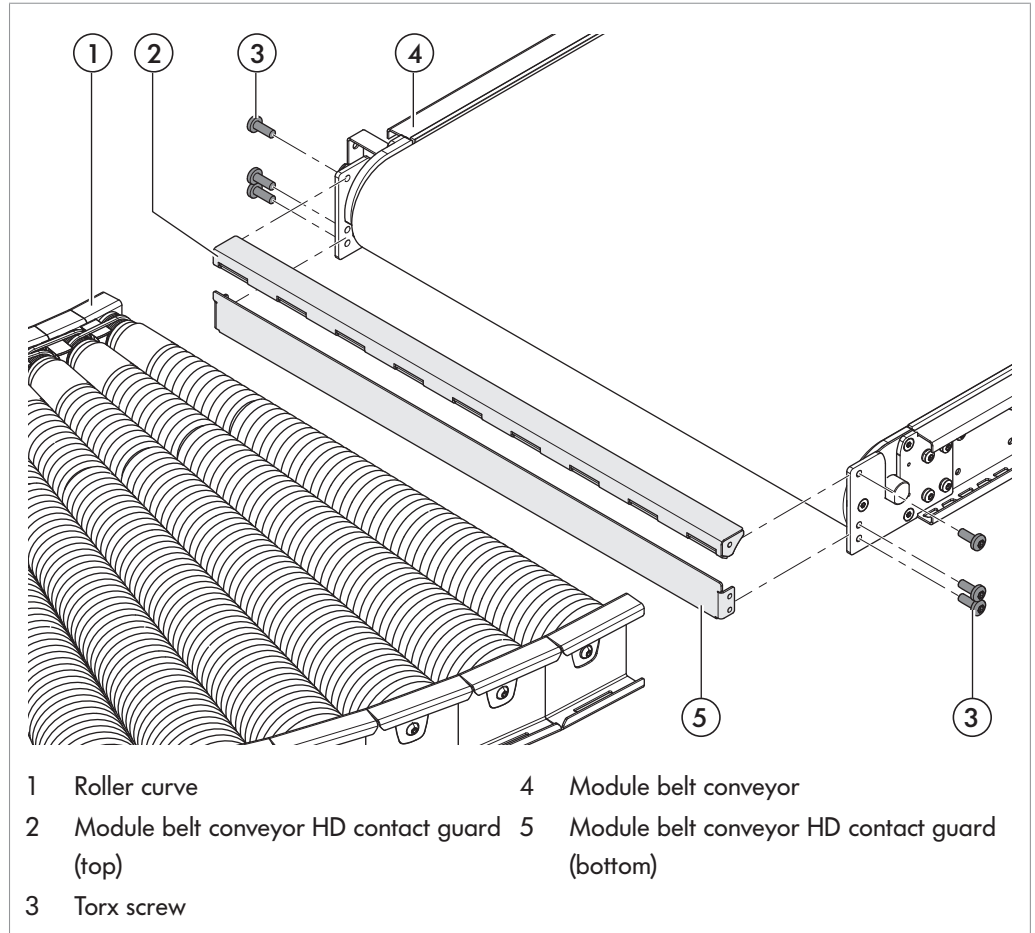


- ▶ Position the modules to be connected (2, 6) in such a way that the side profiles are aligned or at a right angle to each other.
- ▶ Align the top edges of the module by using the height-adjustable feet of the supports.
- ▶ Check horizontal alignment with a spirit level or rotation laser.
- ▶ Secure the adjusted height.
- ▶ Attach contact guard (4) at the bottom at side profile of module belt conveyor (6) and fasten it with screws (1).
- ▶ Attach contact guard (5) at the top at side profile of module belt conveyor (6) and fasten it with screws (1).
- ▶ Attach contact guard (3) at the bottom at side profile of roller conveyor (2) and fasten it with screws (1).
- ▶ Connect the contact guards (3, 4) form-fit with the module connectors (7) on the right, left and center with each other and fasten with screws (1) and washers (8).
- ▶ Fasten the module torsion-free, e.g., by anchoring it to the floor or to adjacent components.

## Interroll Module belt conveyor SH 1100

### Installation

#### Roller curve - straight module belt conveyor (80)



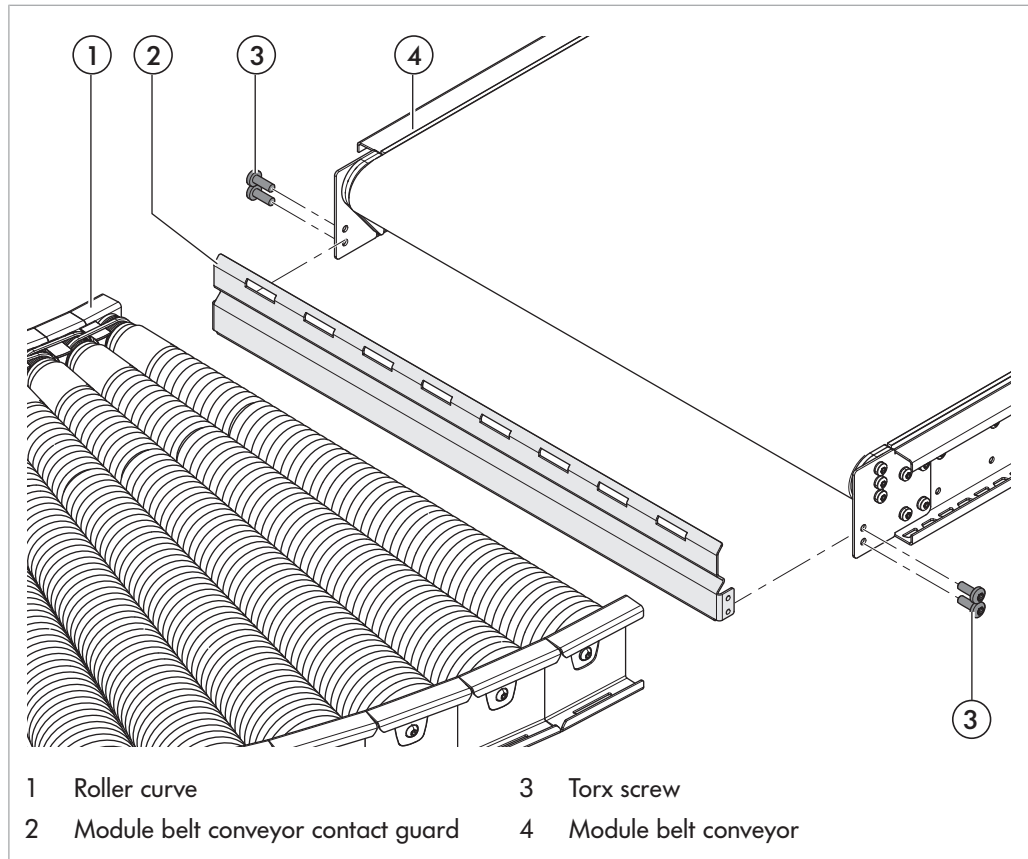
This connection does not allow incline or decline.

- ▶ Position the modules to be connected (1, 4) in such a way that the side profiles are aligned.
- ▶ Align the top edges of the module by using the height-adjustable feet of the supports.
- ▶ Check horizontal alignment with a spirit level or rotation laser.
- ▶ Secure the adjusted height.
- ▶ Attach contact guard (5) at the bottom at side profile of module belt conveyor (4) and fasten it with screws (3).
- ▶ Attach contact guard (2) at the top at side profile of module belt conveyor (4) and fasten it with screws (3).
- ▶ Fasten the module torsion-free, e.g., by anchoring it to the floor or to adjacent components.

## Interroll Module belt conveyor SH 1100

### Installation

Straight module belt conveyor (50) - roller curve



This connection does not allow incline or decline.

- ▶ Position the modules to be connected (1, 4) in such a way that the side profiles are aligned.
- ▶ Align the top edges of the modules by using the height-adjustable feet of the supports.
- ▶ Check horizontal alignment with a spirit level or rotation laser.
- ▶ Secure the adjusted height.
- ▶ Attach contact guard (2) at side profile of module belt conveyor (4) and fasten it with screws (3).
- ▶ Fasten the module torsion-free, e.g., by anchoring it to the floor or to adjacent components.



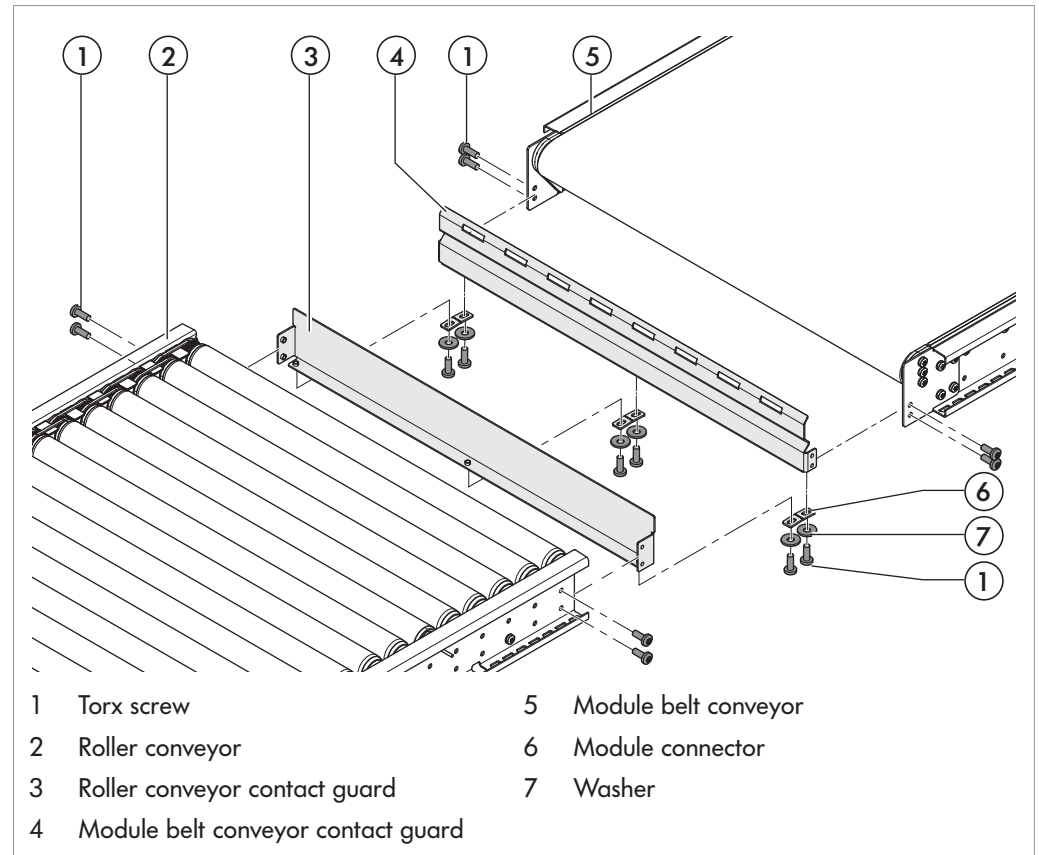
## Interroll Module belt conveyor SH 1100

### Installation

#### Straight module belt conveyor (50) - straight roller conveyor

The modules can be connected with each other in different ways:

- Horizontal
- Up to max. 4° ascending
- Up to max. 4° descending



- ▶ Position the modules to be connected (2, 5) in such a way that the side profiles are aligned or at a right angle to each other.
- ▶ Align the top edges of the modules by using the height-adjustable feet of the supports.
- ▶ Check alignment with a spirit level or rotation laser.
- ▶ Secure the adjusted height.
- ▶ Attach contact guard (4) at side profile of module belt conveyor (5) and fasten it with screws (1).
- ▶ Attach contact guard (3) at side profile of roller conveyor (2) and fasten it with screws (1).
- ▶ Connect the contact guards (3, 4) form-fit with the module connectors (6) on the right, left and center with each other and fasten with screws (1) and washers (7).
- ▶ Fasten the module torsion-free, e.g., by anchoring it to the floor or to adjacent components.

## Interroll Module belt conveyor SH 1100

### Installation

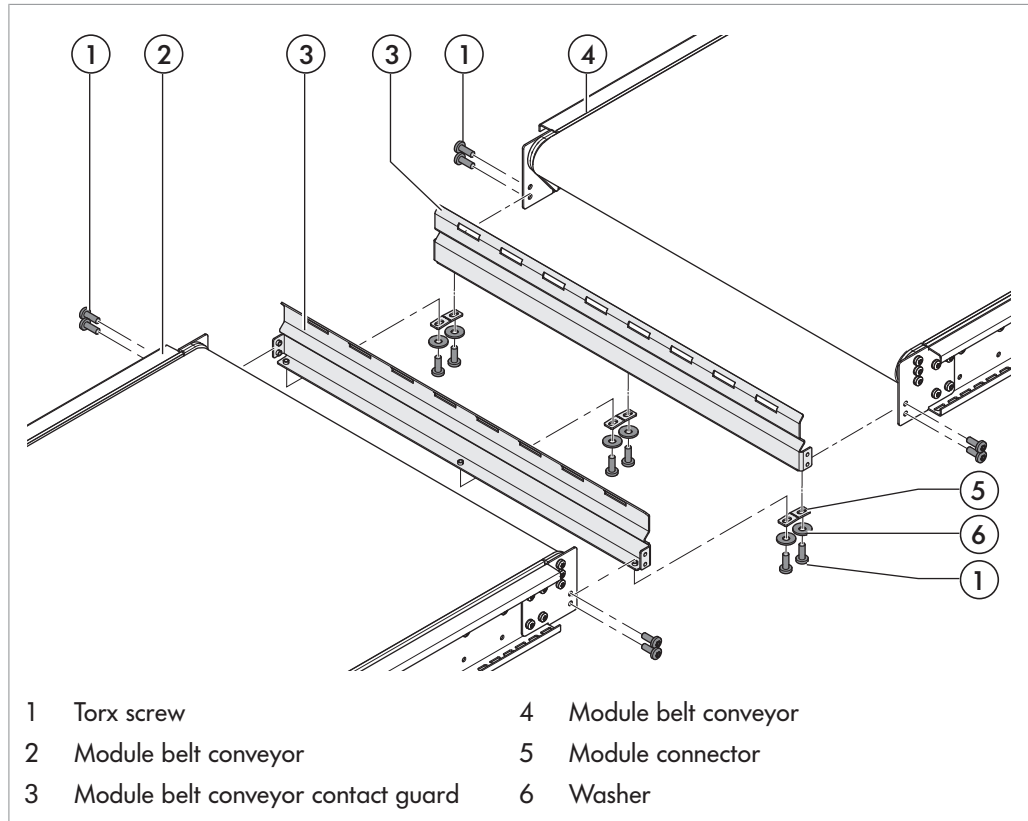
#### Straight module belt conveyor (50) - straight module belt conveyor (50)

The modules can be connected with each other in different ways:

- Horizontal
- Up to max. 4° ascending
- Up to max. 4° descending



Various module connectors are being used depending on the desired type (see connector sets spare parts list).



- ▶ Position the modules to be connected (2, 4) in such a way that the side profiles are aligned or at a right angle to each other.
- ▶ Align the top edges of the modules by using the height-adjustable feet of the supports.
- ▶ Check alignment with a spirit level or rotation laser.
- ▶ Secure the adjusted height.
- ▶ Attach one contact guard (3) each at side profile of module belt conveyor (2, 4) and fasten it with screws (1).
- ▶ Connect the contact guards (3) form-fit with the module connectors (5) on the right, left and center with each other and fasten with screws (1) and washers (6).
- ▶ Fasten the module torsion-free, e.g., by anchoring it to the floor or to adjacent components.

## Interroll Module belt conveyor SH 1100

### Installation

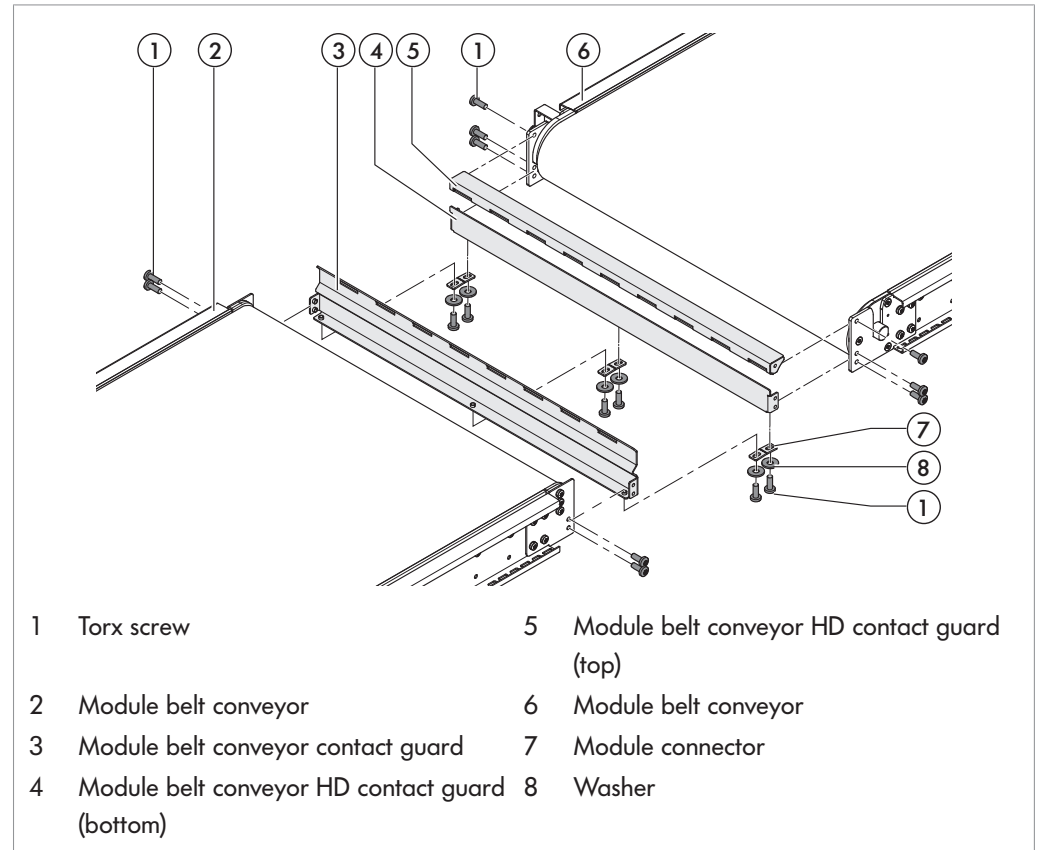
#### Straight module belt conveyor (80) - straight module belt conveyor (50)

The modules can be connected with each other in different ways:

- Horizontal
- Up to max. 4° ascending
- Up to max. 4° descending



The conveying direction is only allowed from left to right (HD pulling).

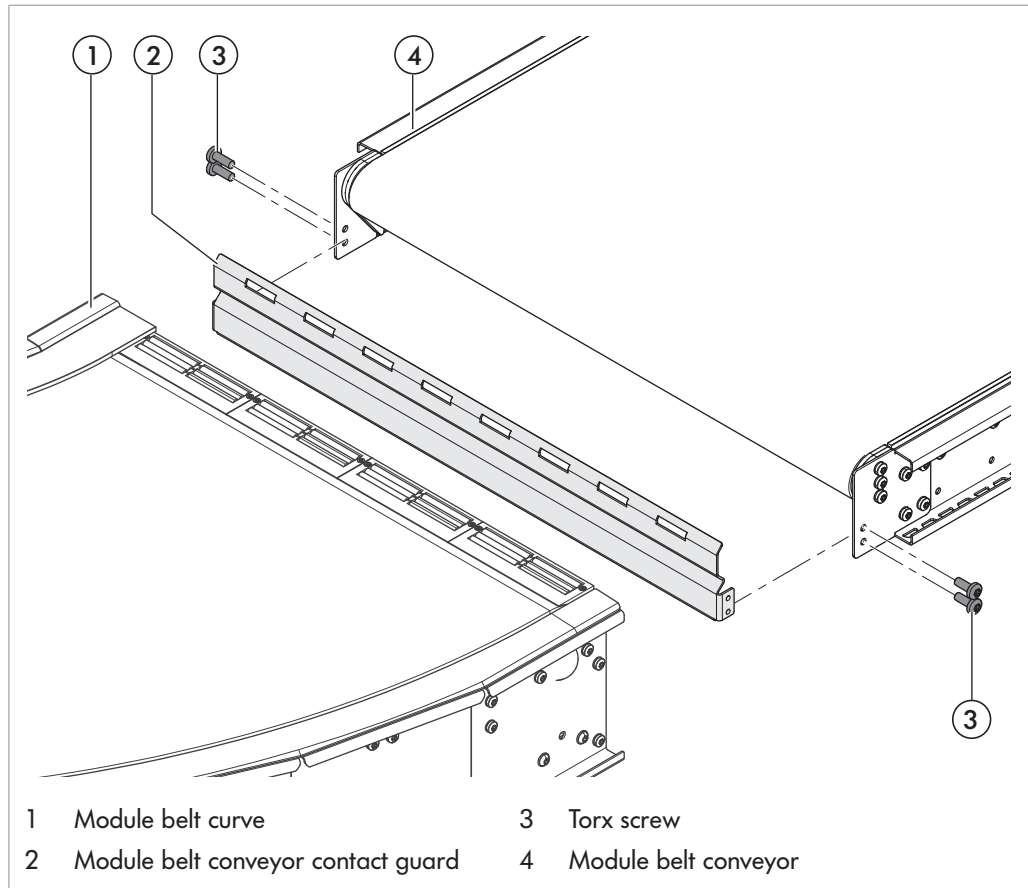


- ▶ Position the modules to be connected (2, 6) in such a way that the side profiles are aligned.
- ▶ Align the top edges of the modules by using the height-adjustable feet of the supports.
- ▶ Check horizontal alignment with a spirit level or rotation laser.
- ▶ Secure the adjusted height.
- ▶ Attach contact guard (3) at side profile of module belt conveyor (2) at idler axle and fasten it with screws (1).
- ▶ Attach contact guard (4) at the bottom at side profile of module belt conveyor (6) for the drum motor (HD) and fasten it with screws (1).
- ▶ Attach contact guard (5) at the top at side profile of module belt conveyor (6) for the drum motor (HD) and fasten it with screws (1).
- ▶ Connect the contact guards (3, 4) form-fit with the module connectors (7) with each other and fasten with screws (1) and washers (8).
- ▶ Fasten the module torsion-free, e.g., by anchoring it to the floor or to adjacent components.

## Interroll Module belt conveyor SH 1100

### Installation

Module belt curve - front  
straight module belt  
conveyor (50)



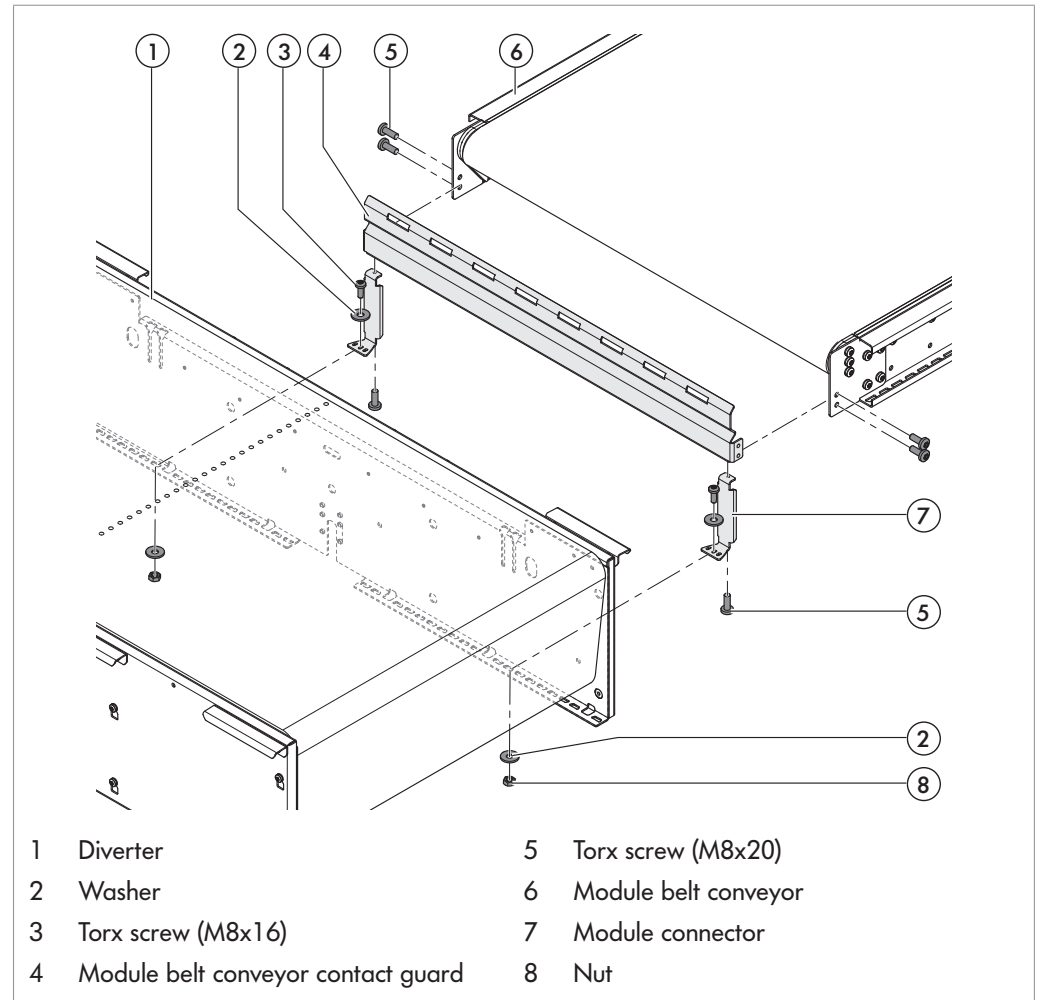
The module belt curve must be aligned horizontally and the module belt conveyor with an angle of 4° to be able to connect the modules. Other connections are not permissible.

- ▶ Position the modules to be connected (1, 4) in such a way that the side profiles are at the correct angle to each other.
- ▶ Align the top edges of the modules by using the height-adjustable feet of the supports.
- ▶ Check alignment with a spirit level or rotation laser.
- ▶ Secure the adjusted height.
- ▶ Fasten contact guard (2) at side profile of module belt conveyor (4) with screws (3).
- ▶ Fasten the module torsion-free, e.g., by anchoring it to the floor or to adjacent components.

## Interroll Module belt conveyor SH 1100

### Installation

#### Straight module belt conveyor (50) - lateral diverter



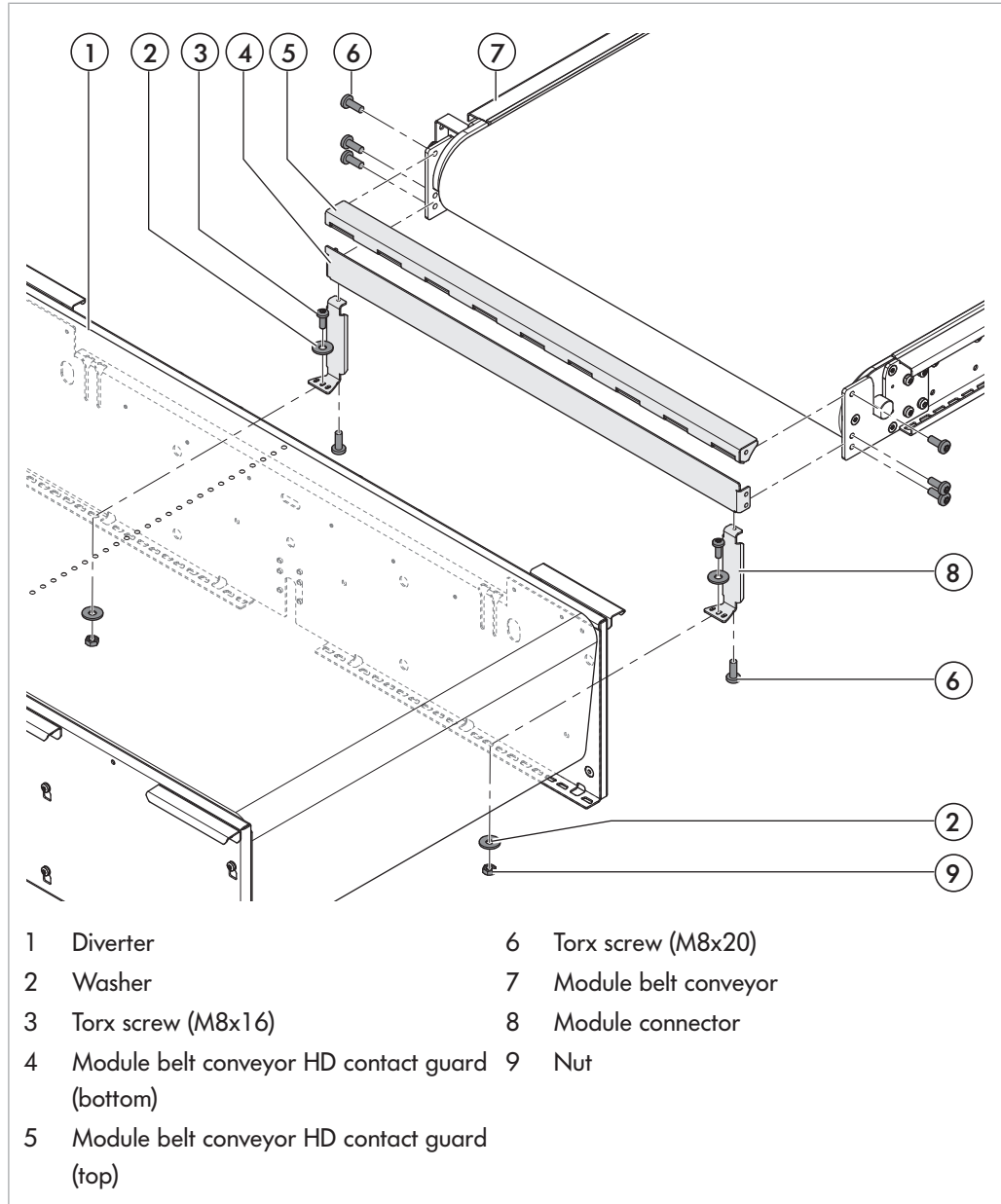
This connection does not allow incline or decline.

- ▶ Position the modules to be connected (1, 6) in such a way that the side profiles are aligned.
- ▶ Align the top edges of the modules by using the height-adjustable feet of the supports.
- ▶ Check horizontal alignment with a spirit level or rotation laser.
- ▶ Secure the adjusted height.
- ▶ Attach contact guard (4) at side profile of module belt conveyor (6) at idler axle and fasten it with screws (5).
- ▶ Fasten module connector (7) on the right and left at the bottom of the side profile of the diverter (1) with screws (3), washers (2) and nuts (8).
- ▶ Fasten contact guard (4) and module connector (7) each with one screw (5) and washer (2) to each other.
- ▶ Fasten the module torsion-free, e.g., by anchoring it to the floor or to adjacent components.

## Interroll Module belt conveyor SH 1100

### Installation

#### Lateral diverter - straight module belt conveyor (80)



**i** This connection does not allow incline or decline.

**i** The conveying direction is only allowed from left to right (HD pulling).

- ▶ Position the modules to be connected (1, 7) in such a way that the side profiles are aligned.
- ▶ Align the top edges of the modules by using the height-adjustable feet of the supports.
- ▶ Check horizontal alignment with a spirit level or rotation laser.
- ▶ Secure the adjusted height.

## Interroll Module belt conveyor SH 1100

---

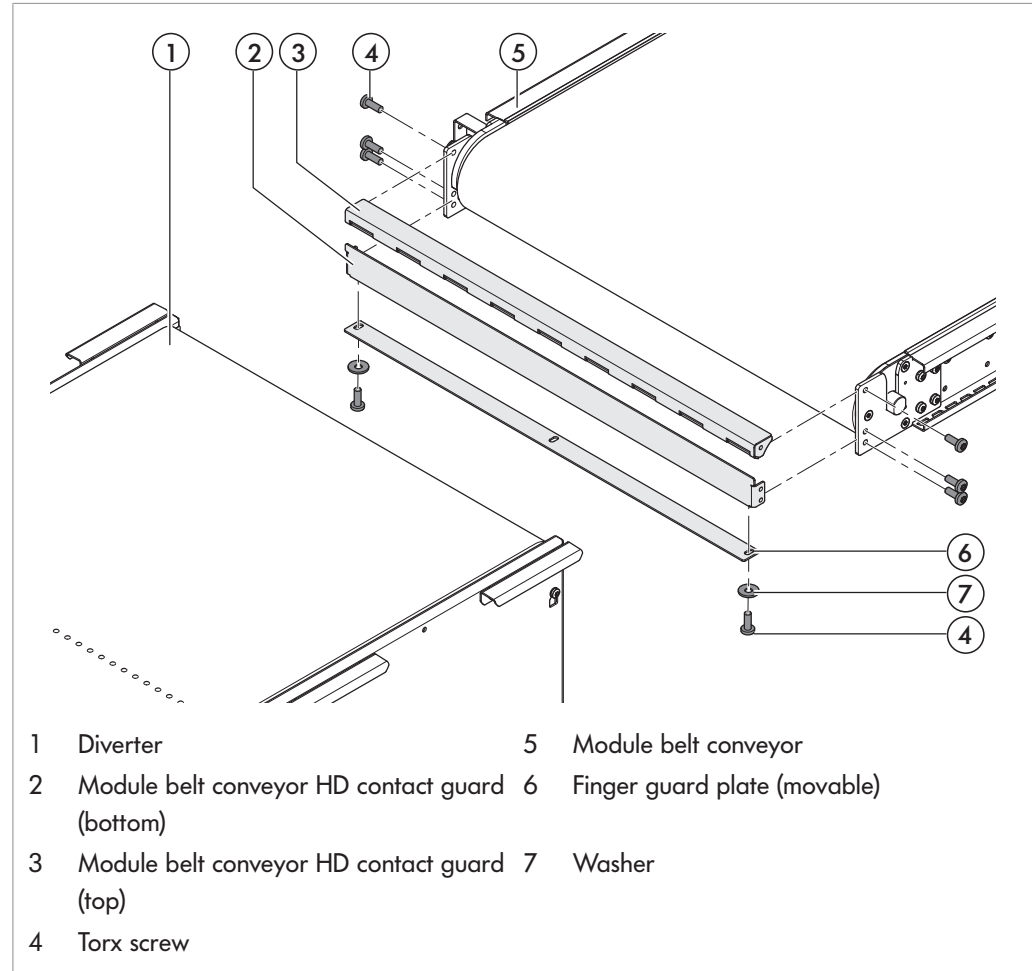
### Installation

- ▶ Attach contact guard (4) at the bottom at side profile of module belt conveyor (7) for the drum motor (HD) and fasten it with screws (6).
- ▶ Attach contact guard (5) at the top at side profile of module belt conveyor (7) for the drum motor (HD) and fasten it with screws (6).
- ▶ Fasten module connector (8) on the right and left at the bottom of the side profile of the diverter (1) with screws (3), washers (2) and nuts (9).
- ▶ Fasten contact guard (4) and module connector (8) each with one screw (6) and washer (2) to each other.
- ▶ Fasten the module torsion-free, e.g., by anchoring it to the floor or to adjacent components.

## Interroll Module belt conveyor SH 1100

### Installation

#### Straight module belt conveyor (80) - front diverter



**i** This connection does not allow incline or decline.

**i** The conveying direction is only allowed from left to right (HD pulling).

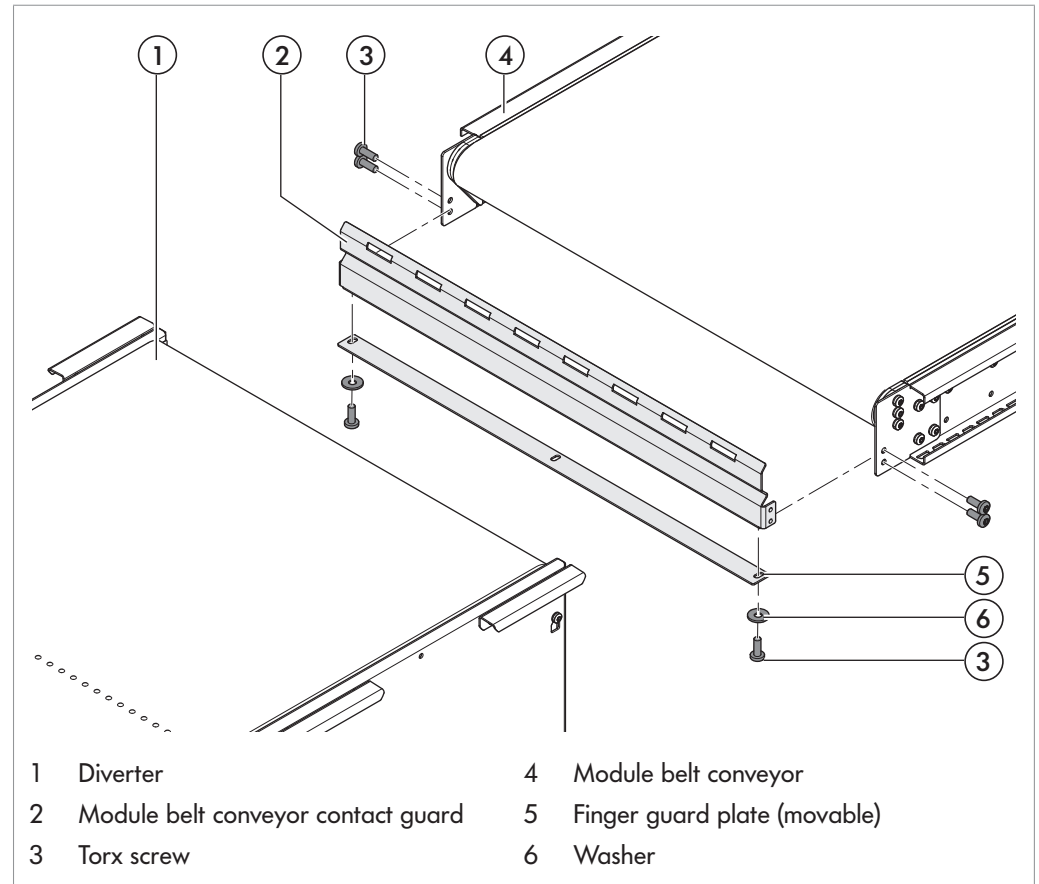
- ▶ Position the modules to be connected (1, 5) in such a way that the side profiles are aligned.
- ▶ Align the top edges of the modules by using the height-adjustable feet of the supports.
- ▶ Check horizontal alignment with a spirit level or rotation laser.
- ▶ Secure the adjusted height.
- ▶ Attach contact guard (2) at the bottom at side profile of module belt conveyor (5) for the drum motor (HD) and fasten it with screws (4).
- ▶ Attach contact guard (3) at the top at side profile of module belt conveyor (5) for the drum motor (HD) and fasten it with screws (4).
- ▶ Fasten finger guard plate (6) at contact guard (2) with screws (4) and washers (7).
- ▶ Fasten the module torsion-free, e.g., by anchoring it to the floor or to adjacent components.



## Interroll Module belt conveyor SH 1100

### Installation

#### Front diverter - straight module belt conveyor (50)



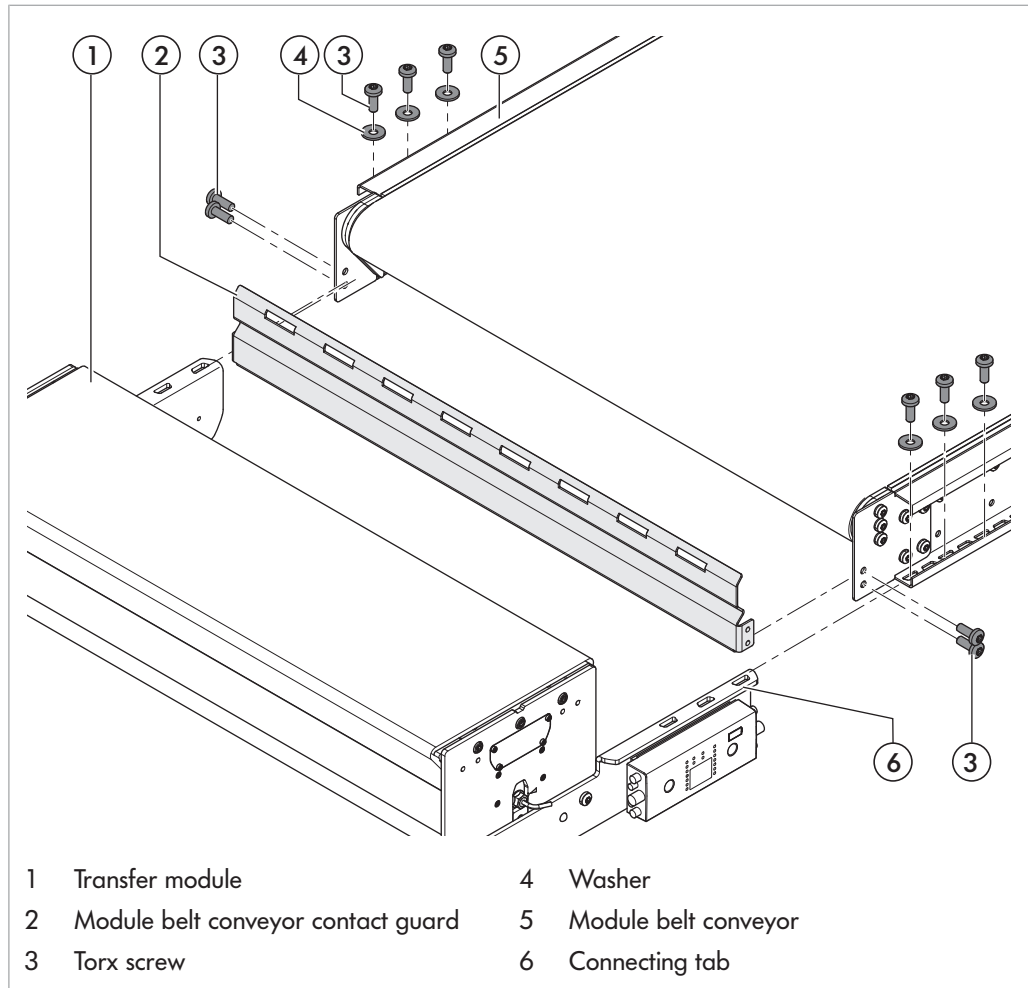
This connection does not allow incline or decline.

- ▶ Position the modules to be connected (1, 4) in such a way that the side profiles are aligned.
- ▶ Align the top edges of the modules by using the height-adjustable feet of the supports.
- ▶ Check horizontal alignment with a spirit level or rotation laser.
- ▶ Secure the adjusted height.
- ▶ Attach contact guard (2) at side profile of module belt conveyor (4) at the idler axle and fasten it with screws (3).
- ▶ Fasten finger guard plate (5) at contact guard (2) with screws (3) and washers (6).
- ▶ Fasten the module torsion-free, e.g., by anchoring it to the floor or to adjacent components.

## Interroll Module belt conveyor SH 1100

### Installation

#### Straight module belt conveyor (50) - transfer module



- ▶ Position the modules to be connected (1, 5) in such a way that the side profiles are aligned.
- ▶ Align the top edges of the modules by using the height-adjustable feet of the supports.
- ▶ Check horizontal alignment with a spirit level or rotation laser.
- ▶ Secure the adjusted height.
- ▶ Attach contact guard (2) at side profile of module belt conveyor (5) at the idler pulley and fasten it with screws (3).
- ▶ Fasten connecting tabs (6) of the transfer module (1) in the side profile of the module belt conveyor (5) with screws (3) and washers (4).
- ▶ Fasten the module torsion-free, e.g., by anchoring it to the floor or to adjacent components.

## Initial startup and operation

### Initial startup

---

#### **WARNING**

##### **Risk of injuries due to incorrect handling**

- ▶ Check electrical connections and protective devices.
  - ▶ Remove the goods from the module.
  - ▶ Remove unauthorized persons from the danger zone.
  - ▶ Wear safety shoes and work clothing.
- 

The module has been checked at the factory. Module conveyor setting and module conveyor tension are preset at the factory and generally do not have to be changed.

Nevertheless, the following control measure is required:

- ▶ Before initial startup, check the travel direction of the module and correct as necessary  
The travel direction is indicated on the module by an arrow. See the chapter "Nameplate".
- ▶ If faults occur during startup, adjust the module conveyor setting. For additional information, see see "*Maintenance and repair*", page 49 ff.

## Interroll Module belt conveyor SH 1100

---

### Initial startup and operation

#### Operation

##### Before every operation start

- ▶ Check the module for visible damage.
- ▶ Ensure that all safety devices operate flawlessly.
- ▶ Ensure that only authorized persons are in the operating area of the module.
- ▶ Ensure that the module is running freely and that no parts are jammed.
- ▶ Remove equipment or material that is not required from the operating area.
- ▶ Specify and monitor correct placement of the conveying good.

##### During operation

---

### WARNING

#### Danger from rotating parts

Crushing and serious injuries due to parts of the body and clothing being pulled into the module!



- ▶ Do not remove the protective covers.
- ▶ Wear personal protective equipment.
- ▶ Avoid jewelry and bracelets.

---

### CAUTION

#### Danger from shearing between product and universal support of side guide

- ▶ Do not reach in from the side.
- ▶ Take additional protective measures.



- ▶ If material is jammed between side guides, switch off the module and ensure that it cannot be started accidentally, then remove the fault.

##### Procedure in case of accident or fault

- ▶ Press the Emergency Stop pushbutton, power it down and ensure that it cannot be switched on accidentally.
- ▶ In case of an accident: Provide first aid and make an emergency call, if necessary.
- ▶ Inform qualified personnel.
- ▶ Have the fault corrected by qualified personnel.
- ▶ Restart the module only after this has been approved by qualified personnel.

## Interroll Module belt conveyor SH 1100

### Cleaning

#### CAUTION

##### **Risk of injury due to improper handling or accidental motor starts**

- ▶ Maintenance work and cleaning must only be performed by qualified and authorized persons.
- ▶ Perform maintenance work only after switching off the power. Ensure that the conveyor cannot be switched on accidentally.
- ▶ Set up signs indicating that maintenance work is in progress.

#### CAUTION

##### **Risk of infections due to non-observance of hygiene regulations for the food industry!**

When conveying damaged products, dangerous bacteria can be deposited at the conveyor. They could lead to health risks for the end consumer.

- ▶ Observe all legal regulations and hygiene regulations for food safety.
- ▶ Use solely food-safe lubricants as well as cleaning and disinfecting agents.
- ▶ Observe the cleaning intervals.

#### CAUTION



##### **Risk of injury from slipping on the floor!**

Slipping on a wet floor can lead to a fall. The fall can cause injuries.

- ▶ Immediately pick up leaking and spilled fluids using suitable means.

The conveyor platform is generally designed for protection rate IP55.

IP identifier	Definition
5 - dust protection	Dust is not completely prevented from entering, but dust may not enter at a magnitude that would impair the function of the module.
5 - Protected against water jets	A water jet from a nozzle (6.3 mm (0.25 in)), that is directed at the module from all directions, may not have any damaging effect. Test duration: 1 m <sup>2</sup> /min for at least 3 minutes Water volume: 12.5 l/min Pressure: 30 kPa (4.4 psi or 0.3 bar) at a distance of 3 m (9.8 ft)

## Interroll Module belt conveyor SH 1100

---

### Cleaning

The module is designed specifically for use in the food sector that does not require daily intensive cleaning, such as the area behind packaging equipment where the food is protected by packaging. Should food packaging leak, the conveyor can still be cleaned dry or with soft water. For this purpose, use low-pressure water, e.g., with a water hose with water pressure, or by splashing water over the conveyor, e.g., using a bucket.

### Preparation for cleaning by hand

- ▶ Switch off the power supply to the conveyor.
- ▶ Switch off the main switch to de-energize all the drives.
- ▶ Open terminal box or distribution box and disconnect cables if there is no switch. Ensure that live components or cables are electrically insulated to prevent electrocution.
- ▶ Attach a sign to the control cabinet that maintenance work is in progress.
- ▶ Remove foreign materials from all accessible surfaces.
- ▶ Do not use sharp-edged tools to clean the module.
- ▶ Do not use a high-pressure cleaner for cleaning, particularly not for the roller conveyors.

### Manual cleaning



The conveyor platform is not designed for cleaning with alkaline or acidic cleaning agents. In particular, rollers and drive rollers should not be cleaned with cleaning agents, only dry or with water.

---

### NOTICE

#### Seal not tight due to excessive pressure

- ▶ Do not direct the nozzle directly on the seals during cleaning.
- ▶ Observe a maximum water pressure of 8 bar (116 psi).
- ▶ Move the nozzle continuously and evenly over the entire module.
- ▶ Ensure that the distance between the nozzle of the water hose and the conveyor is at least 100 cm.

---

### NOTICE

#### Risk of damage to the conveyor due to improper cleaning

- ▶ Never use an acidic cleaner together with a chlorinated cleaner since the resulting dangerous chlorine gases can damage stainless steel and elastomers.
  - ▶ Avoid temperatures over 35 °C so that no proteins can be deposited on the surface.
  - ▶ Remove greases at lower temperatures and with suitable cleaners.
  - ▶ Avoid water pressures over 8 bar so that no aerosols are created and to prevent damages.
  - ▶ Maintain a distance of 100 cm between the nozzle and the surface to be cleaned.
  - ▶ Do not direct the nozzle directly on the seals during cleaning, particularly not in the area of the drum motor axle or drive rollers.
-

## Interroll Module belt conveyor SH 1100

---

### Cleaning

- ▶ Wipe off larger, loose contamination.
- ▶ Pre-clean with water (8 bar, 35 °C).
- ▶ Direct the nozzle down onto the surfaces at an angle of 45°.
- ▶ For a more thorough cleaning, clean seals, grooves and other recesses with a soft brush.
- ▶ In case of heavy contamination, use a soft brush and/or a plastic scraper together with spraying water.
- ▶ Spray off with water (8 bar, 35 °C).
- ▶ After cleaning, check surfaces, grooves and other recesses for residues.
- ▶ Wipe the floor dry.
- ▶ Observe the corresponding certificates at [www.interroll.com](http://www.interroll.com).



## Interroll Module belt conveyor SH 1100

---

### Cleaning

#### Resistance

The conveyor platform consists of various parts. Some parts are more resistant to cleaning agents than others. Drum motors and plastic modular belts can be cleaned, e.g. with certain cleaning agents.

**Chemical resistance of the plastic modular belts** Polyoxymethylene (POM), polypropylene (PP) and polyamide (PA):

- Acidic acid, aqueous solution 5 %
- Calcium chloride, aqueous solution 10 %
- Dimethylformamide
- Dioctylphthalate
- Ethyl ether
- Isopropanol
- Soap solution, aqueous solution
- Sodium carbonate, aqueous solution 10 %
- Sodium chloride, aqueous solution 10 %
- Sodium nitrate, aqueous solution 10 %
- Sodium thiosulphate, aqueous solution 10 %
- Water, cold

The resistance of the polymers is affected by temperature, exposure to force, UV exposure, and the duration of exposure and concentration of the medium.

A thorough suitability test of the polymer to be used by the user is indispensable.



## Maintenance and repair

### Observe the following for maintenance and repair

---



#### **DANGER**

##### **Danger to life from electrical voltage!**

- ▶ Switch off the power supply system, ensure that it cannot be switched on accidentally and check that there is no voltage.
- 

#### **WARNING**

##### **Risk of crushing and injuries**

- ▶ Ensure that the personnel involved in maintenance and repair have secure footing and sufficient room to move.
  - ▶ Mechanical maintenance and repair work should be performed only by service personnel. Observe the safety information.
  - ▶ Electrical maintenance and repair work should be performed only by authorized electricians. Observe the safety information.
  - ▶ Observe the weight of the module (see type plate), if necessary, work in pairs.
  - ▶ Use suitable loading and lifting equipment. Secure the module against falling or tipping.
- 

#### **CAUTION**

##### **Risk of injury due to improper handling or accidental motor starts**

- ▶ Maintenance work and cleaning must only be performed by qualified and authorized persons.
  - ▶ Perform maintenance work only after switching off the power. Ensure that the conveyor cannot be switched on accidentally.
  - ▶ Set up signs indicating that maintenance work is in progress.
- 



When tightening screws and nuts, always observe the standard tightening torque, unless specifically indicated otherwise. Standard thread lockers must be replaced as needed.





Torx screws and nuts used in elongated holes must have a washer so that they can be loosened again if necessary (e.g., for disassembly).

- ▶ Work on electrical equipment must only be performed by authorized electricians.
- ▶ Set up warning signs that indicate maintenance and repair work.
- ▶ Block off the area around the module.
- ▶ Inform persons who must enter the blocked-off area about the risks.

## Interroll Module belt conveyor SH 1100

### Maintenance and repair

#### Maintenance intervals

-  If maintenance is not performed according to schedule, it may lead to damages and failures. If maintenance intervals are not followed, the warranty will be void.
-  All bearings of the module feature a life-time lubrication and are maintenance-free within the operating parameters.

#### Maintenance and inspection list

Component	Interval	Task/ check	Work to be performed	Performed by
Complete module	Daily	Check for soiling.	Clean and disinfect	
Complete module	Weekly	Perform a visual and acoustic check.		
Module conveyor	Weekly	Check module belt-carrying side for cleanliness.	Clean dry as required	
Side guides	Monthly	Check attachment and fastening of side guides.	Readjust as necessary	
Module conveyor	Every 6 months	Check running behavior and tension.	Adjust as required	
		Check for damage.	Replace as required	
Return wheels	Every 6 months	Check whether the return wheels have contact with the conveyor belt.	Readjust as necessary	
		Check return wheels for ease of movement. (Do the return wheels also turn freely when they contact the conveyor belt?)	Replace as required	
Idler pulley/front Idler axle	Every 6 months	Check for damage.	Replace as required	
		Check for unusual noise and ease of movement.	Replace as required	
Drum motor	Every 6 months	Check temperature*.	Replace as required	
		Check for noise.	Replace as required	
		Check for true running.	Replace as required	
		Check drive for oil leaks (visual inspection).	Replace as required	
Complete module	Annually	Check screw connections.	Tighten to standard as required	

\* For permissible temperatures: see the motor's operating instructions

## Interroll Module belt conveyor SH 1100

---

### Maintenance and repair

### Preparatory and follow-up maintenance work

---



#### **⚠ DANGER**

##### **Danger to life from electrocution and crushing**

Installation and maintenance tasks on 400-V conveyor systems while they are in operation can cause life-threatening electrocution and serious crushing.

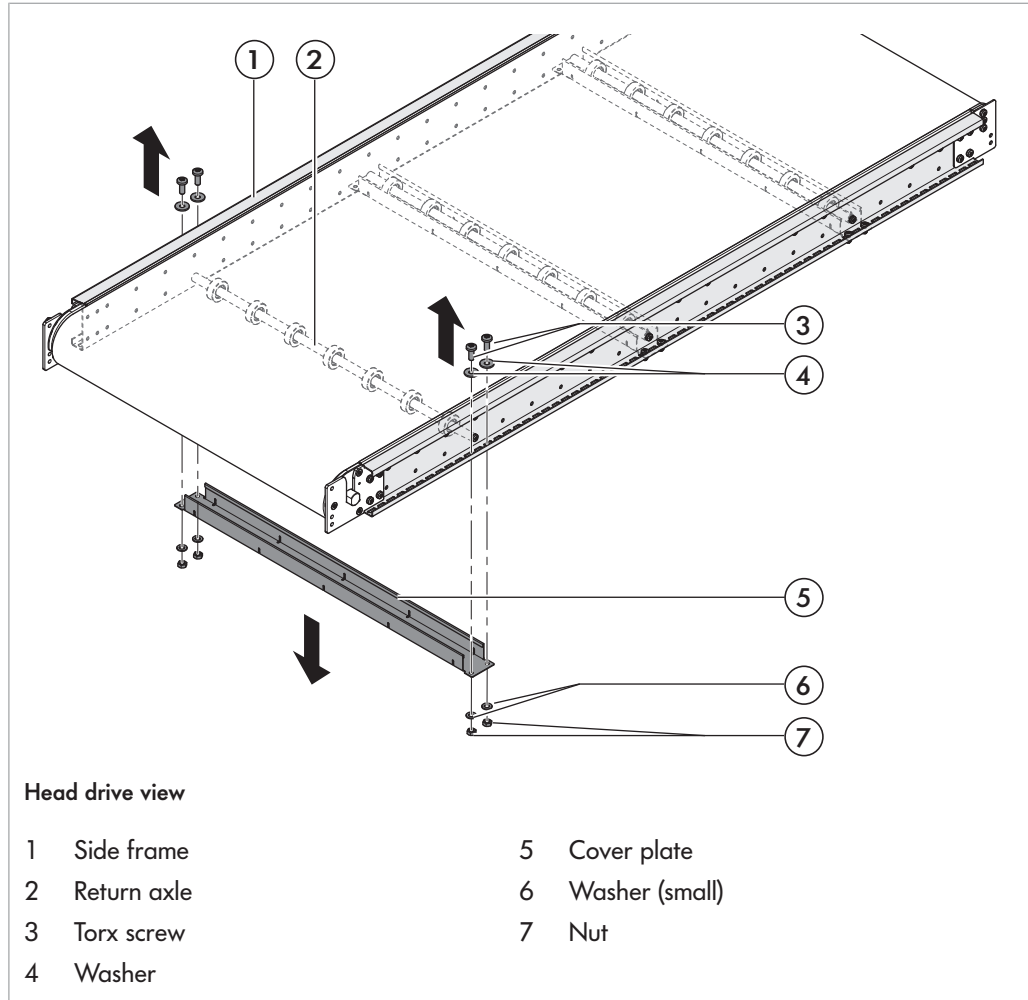
- ▶ Power down the entire conveyor module and ensure that it cannot be started accidentally.
- 

The following preparatory and follow-up maintenance work can be performed at the straight module belt conveyor:

- Remove cover plates at return axles, see "*Removing/installing cover plates at return axles*", page 52
- Remove contact guard and covers at center drive station, see "*Removing/installing contact guard and covers at center drive station*", page 53
- Remove cable connection cover of head drive, see "*Removing/installing head drive cable connection cover*", page 54
- Remove cable connection cover of center drive, see "*Removing/installing center drive cable connection cover*", page 54
- Remove end plates at idler axles, see "*Removing/installing front side idler axle end plate*", page 56

### Maintenance and repair

#### Removing/installing cover plates at return axles



Fasten screws with a tightening torque of 19 Nm.

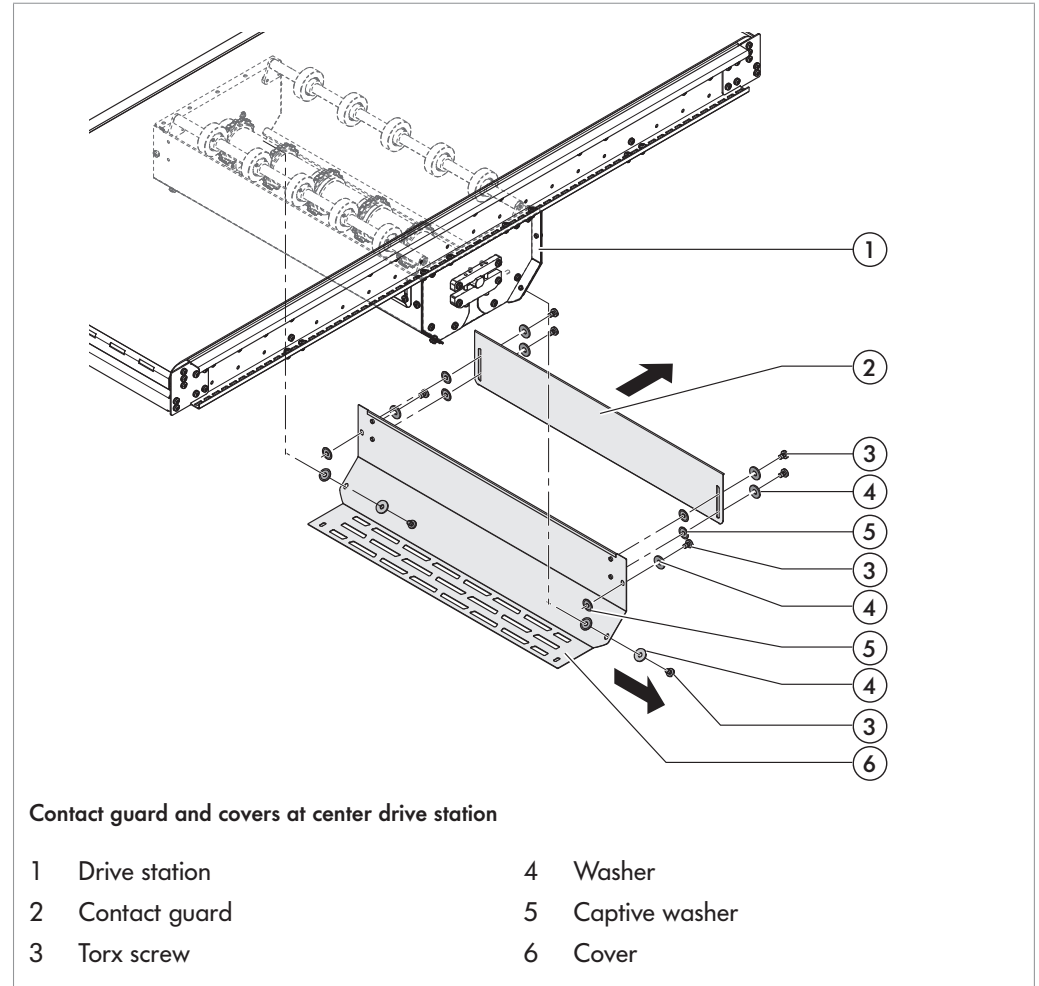
#### Requirement:

- The module is shut down.
- ▶ Loosen screws (3) from the side frame (1) and remove cover plate (5).
- ▶ After the maintenance work: Install cover plate (5) from below at the return axles (2).
- ▶ To do so, guide two screws each (3) on the right and left with two washers (4) from the inside through the C-profile and fasten it from the outside with two small washers (6) and two nuts (7).

## Interroll Module belt conveyor SH 1100

### Maintenance and repair

#### Removing/installing contact guard and covers at center drive station



Fasten screws with a tightening torque of 19 Nm.



After initial tightening, the captive washers undergo plastic deformation and remain in the screw shaft.

#### Requirement:

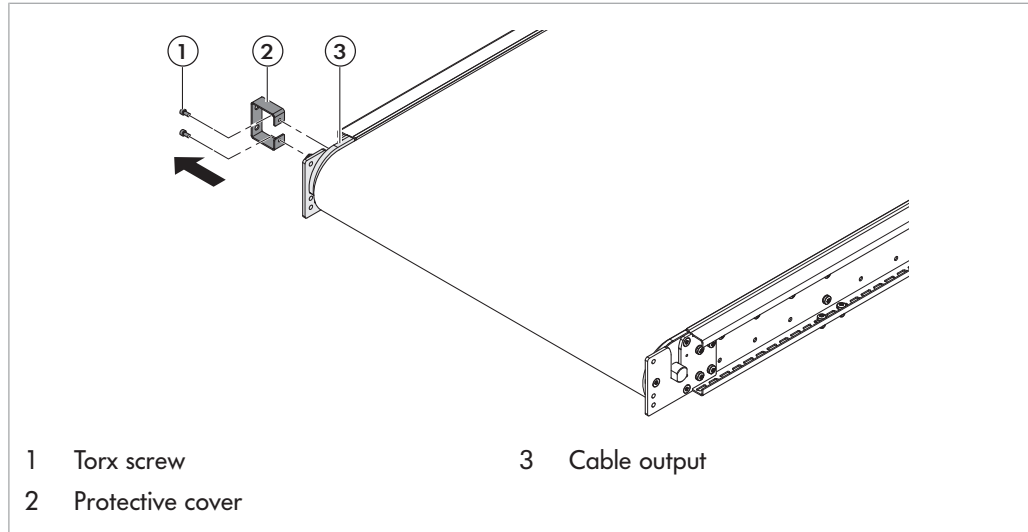
- The module is shut down.

- ▶ Loosen screws (3) at the contact guard (2) on the belt infeed side and remove contact guard (2) from the cover (6).
- ▶ Loosen screws (3) at the two covers (6) on the right and left at the drive station (1) and remove the covers (6).
- ▶ After the maintenance work: Install covers (6) and contact guard (2) from below at the drive station (1).
- ▶ To do so, guide three screws (3) with washers (4) in each case for both covers on the right and left from the inside through the C-profile and fasten them.
- ▶ Fasten contact guard (2) with two screws (3) and washers (4) each on the right and left at the cover on the belt infeed side.

## Interroll Module belt conveyor SH 1100

### Maintenance and repair

#### Removing/installing head drive cable connection cover

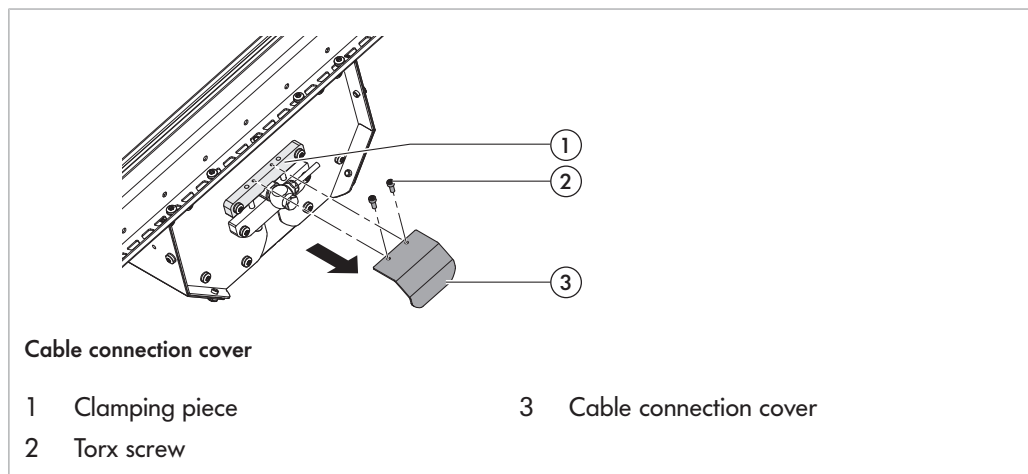


Fasten screws with a tightening torque of 3.5 Nm.

#### Requirement:

- The module is shut down.
- ▶ Loosen screws (1) and remove the protective cover (2).
- ▶ After the maintenance work: Fasten protective cover (2) at cable output (3) with screws (1).

#### Removing/installing center drive cable connection cover



Fasten screws with a tightening torque of 3.5 Nm.

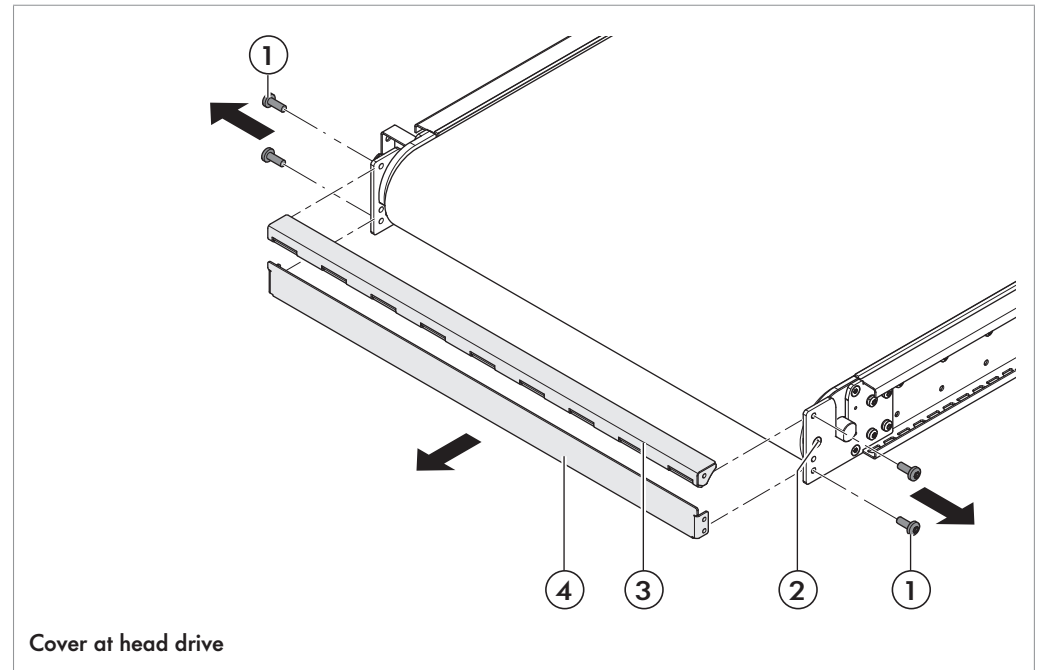
#### Requirement:

- The module is shut down.
- ▶ Unscrew the screws (2) and remove the cover (3) from the clamping piece (1).
- ▶ After the maintenance work: Fasten cover (3) at clamping piece (1) with screws (2).

## Interroll Module belt conveyor SH 1100

### Maintenance and repair

#### Removing/installing drum motor end plate



- |   |                   |   |                         |
|---|-------------------|---|-------------------------|
| 1 | Torx screw        | 3 | Top head drive cover    |
| 2 | Drum motor holder | 4 | Bottom head drive cover |



Fasten screws with a tightening torque of 19 Nm.

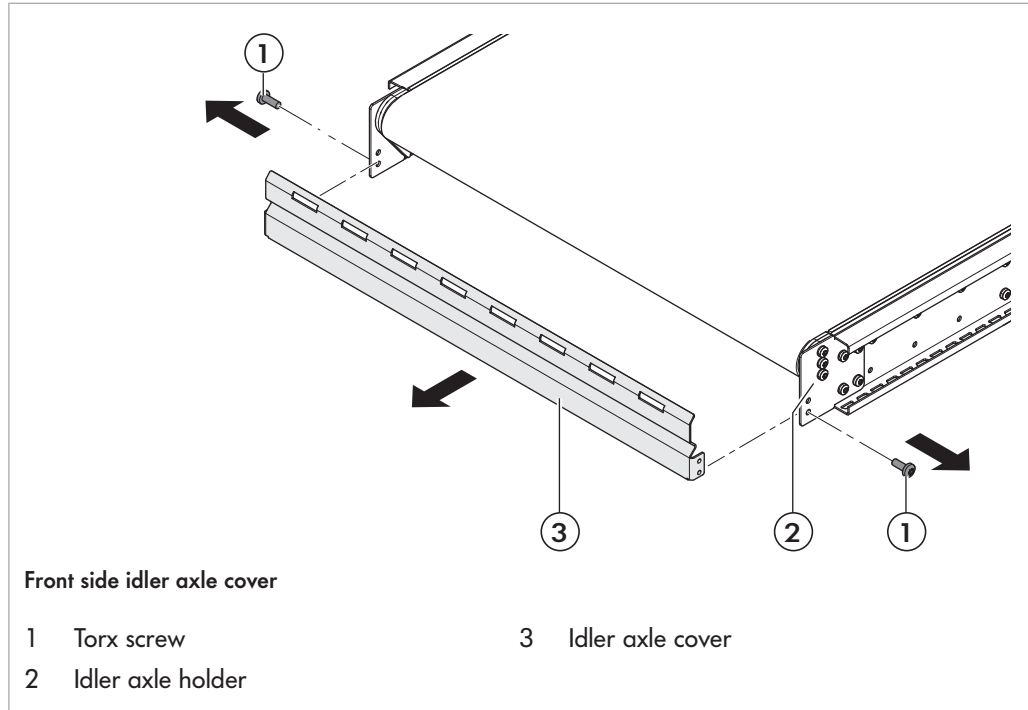
The head drive features two covers (top and bottom) that can be removed/installed.

Requirement:

- The module is shut down.
- ▶ Unscrew screws (1) from top (3) and bottom cover (4) and remove it from the holder (2).
- ▶ After the maintenance work: Fasten covers (3, 4) at the holder (2) on the right and left with screws (1).

### Maintenance and repair

#### Removing/installing front side idler axle end plate



Fasten screws with a tightening torque of 19 Nm.

#### Requirement:

- The module is shut down.
- ▶ Unscrew the screws (1) and remove the cover (3) from the holder (2).
- ▶ After the maintenance work: Fasten the cover (3) at the holder (2) on the right and left with two screws each (1).



## Interroll Module belt conveyor SH 1100

### Maintenance and repair

#### Replacing the module conveyor

To operate module conveyors with sprockets requires that a sufficient number of sprockets are attached to the drum shell in order to support the module conveyor and to correctly transfer the force.



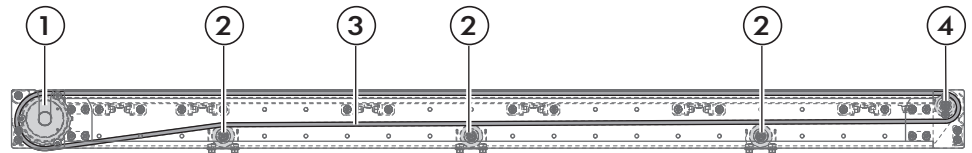
#### **⚠ DANGER**

##### **Danger to life from electrocution and crushing**

Installation and maintenance tasks on 400-V conveyor systems while they are in operation can cause life-threatening electrocution and serious crushing.

- ▶ Power down the entire conveyor module and ensure that it cannot be started accidentally.

#### Replacing the module conveyor (head drive)



Path of module conveyor for head drive

- |   |              |   |                  |
|---|--------------|---|------------------|
| 1 | Drum motor   | 3 | Module conveyor  |
| 2 | Return wheel | 4 | Front idler axle |

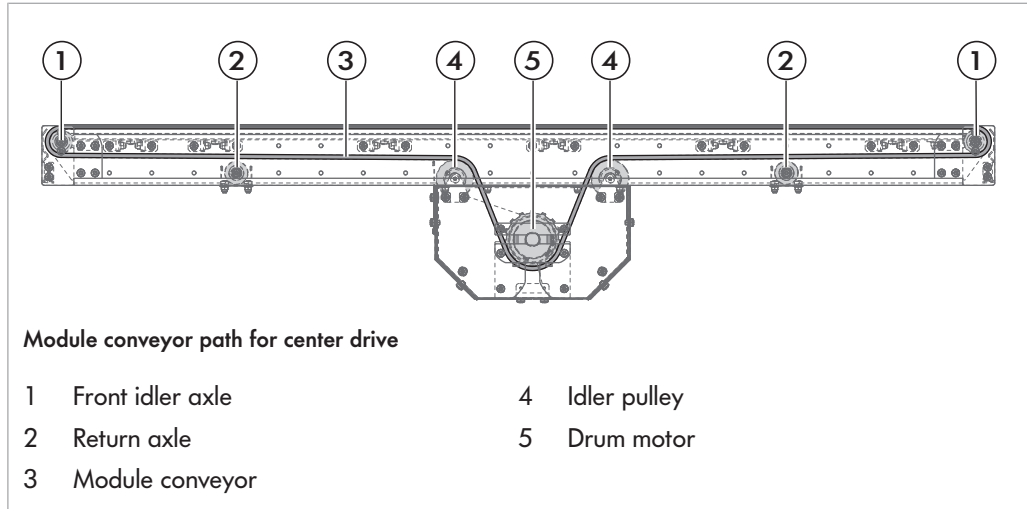
#### Requirement:

- The module is shut down.
- ▶ Remove the end plates, see *"Removing/installing front side idler axle end plate"*, page 56, see *"Removing/installing drum motor end plate"*, page 55.
- ▶ Remove the return wheel cover, see *"Removing/installing cover plates at return axles"*, page 52.
- ▶ Drive the connecting rod out of the module conveyor with a hammer and mandrel.
- ▶ Thread out the old module conveyor and properly dispose of it.
- ▶ Guide new module conveyor (3) around sliding guides, front idler axles (4) and drum motor (1) and thread it in above the return wheels (2).
- ▶ Combine the module conveyor without sagging and drive in the connecting rod using a hammer and mandrel.
- ▶ Install the end plates and return wheel cover in reverse order.

## Interroll Module belt conveyor SH 1100

### Maintenance and repair

#### Replacing the module conveyor (center drive)



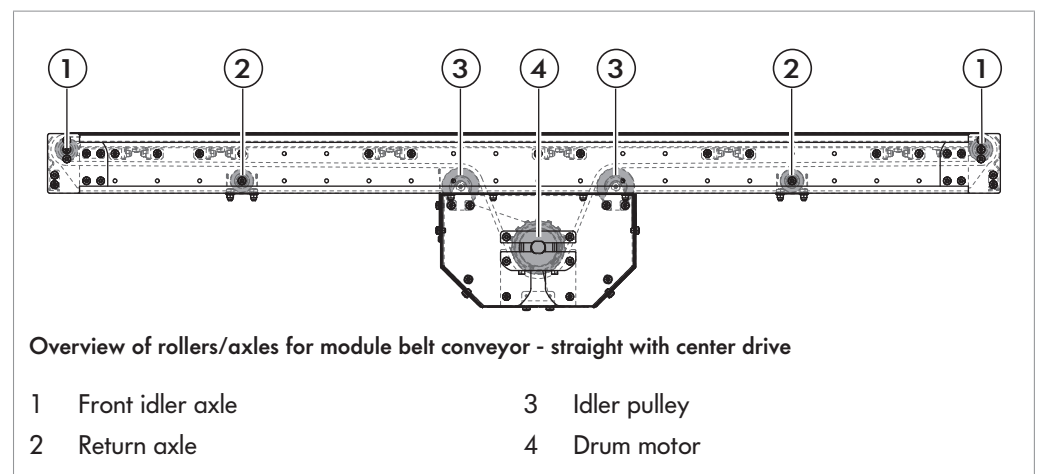
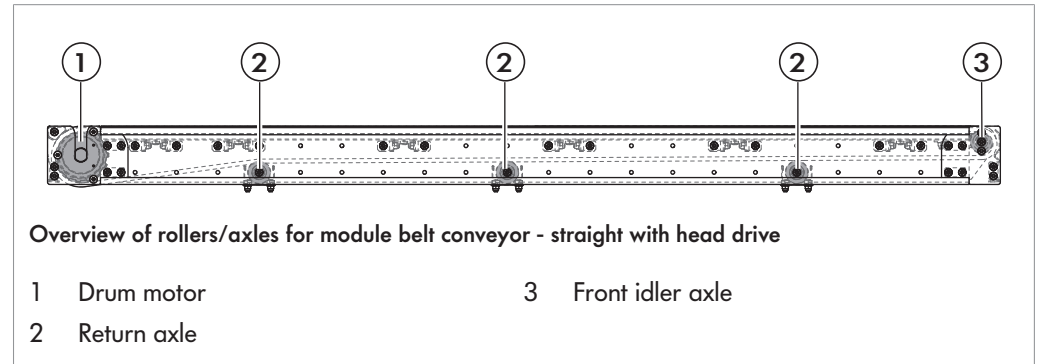
#### Requirement:

- ☑ The module is shut down.
- ▶ Remove contact guard and cover plates at drive station, see *"Removing/installing contact guard and covers at center drive station"*, page 53.
- ▶ Remove the end plates, see *"Removing/installing front side idler axle end plate"*, page 56.
- ▶ Remove the return wheel cover, see *"Removing/installing cover plates at return axles"*, page 52.
- ▶ Drive the connecting rod out of the module conveyor with a hammer and mandrel.
- ▶ Thread out the old module conveyor and properly dispose of it.
- ▶ Guide new module conveyor (3) around sliding guides, front idler axles (1) and drum motor (5) and thread it in above the return axles (2) and idler pulleys (4).
- ▶ Combine the module conveyor without sagging and drive in the connecting rod using a hammer and mandrel.
- ▶ Install the contact guard and cover plates at the drive station in reverse order.
- ▶ Install the end plates and return axle cover in reverse order.

## Interroll Module belt conveyor SH 1100

### Maintenance and repair

#### Replacing rollers/axles



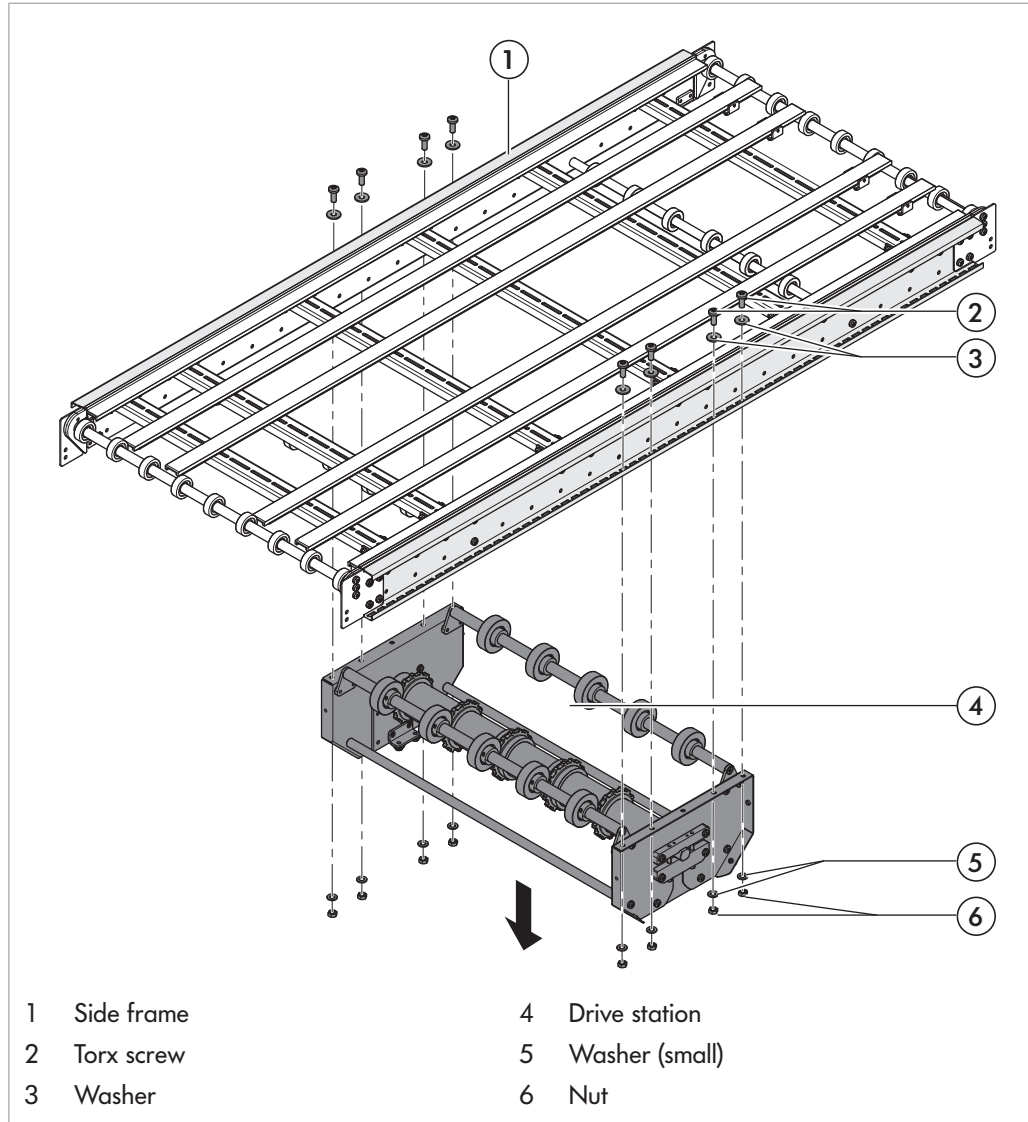
The rollers and axles of the module belt conveyor may require the following maintenance tasks to be performed or parts to be replaced:

- Replace the entire center drive station, see *"Replacing the center drive station"*, page 60
- Replace the drum motor (head drive), see *"Replacing the drum motor (head drive)"*, page 62
- Remove the holder from the drum motor, see *"Removing/installing holder from/on the drum motor (head drive)"*, page 63
- Remove the drum motor (center drive), see *"Removing/installing drum motor (center drive)"*, page 64
- Replace sprockets at drum motor, see *"Replace the sprockets"*, page 66
- Replace return axle, see *"Replacing the return axle"*, page 67
- Replace idler axle at the front, see *"Replacing the front idler axle"*, page 68

## Interroll Module belt conveyor SH 1100

### Maintenance and repair

#### Replacing the center drive station



#### **DANGER**

##### **Danger to life from electrocution and crushing**

Installation and maintenance tasks on 400-V conveyor systems while they are in operation can cause life-threatening electrocution and serious crushing.

- ▶ Power down the entire conveyor module and ensure that it cannot be started accidentally.

#### **CAUTION**

##### **Risk of injury when lifting heavy loads**

- ▶ Use a tool or a second person for steps directly involving the motor.

## Interroll Module belt conveyor SH 1100

---

### Maintenance and repair

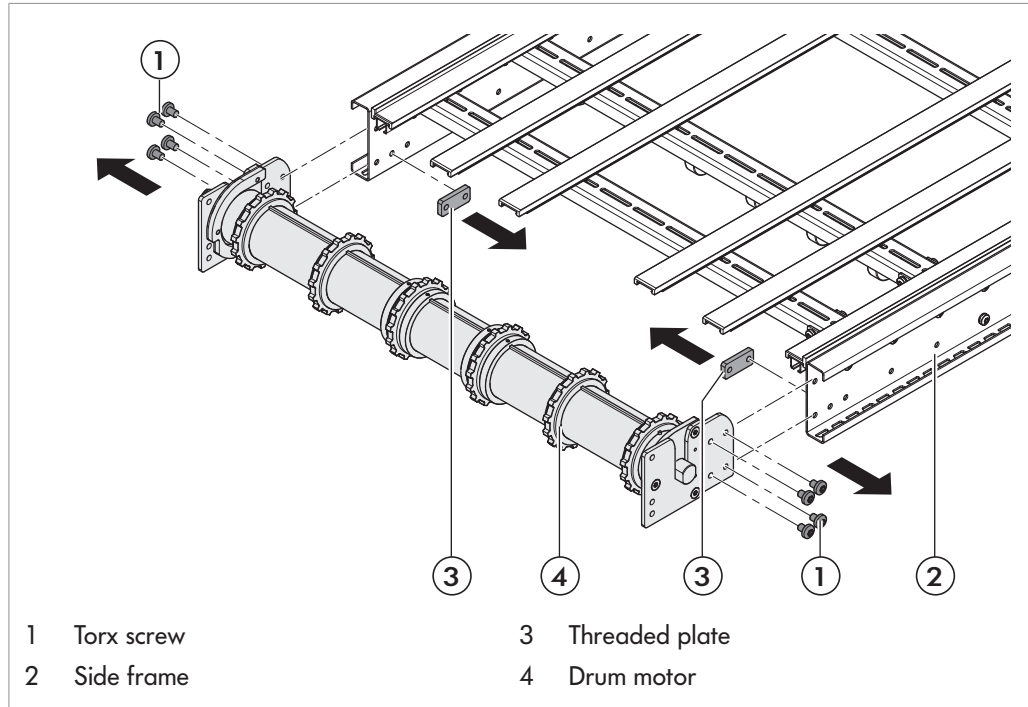
Requirement:

- The module is shut down.
- ▶ Remove the module conveyor, see *"Replacing the module conveyor"*, page 57.
- ▶ Disconnect the drive motor from the power supply.
- ▶ Remove the drive station (4) from the module frame by loosening the screws (2).
- ▶ Properly dispose of the old drive station.
- ▶ Fasten the new drive station (4) at the bottom left and right at the side frames (1): fasten with four screws (2) and four washers each (3) from the top in the C-profile of the side frame and secure with four small washers (5) and four nuts each (6) from below.
- ▶ Connect the drive motor to the power supply.
- ▶ Install the module conveyor in reverse order.

## Interroll Module belt conveyor SH 1100

### Maintenance and repair

#### Replacing the drum motor (head drive)



### DANGER

#### Danger to life from electrocution and crushing

Installation and maintenance tasks on 400-V conveyor systems while they are in operation can cause life-threatening electrocution and serious crushing.

- ▶ Power down the entire conveyor module and ensure that it cannot be started accidentally.



### CAUTION

#### Risk of injury when lifting heavy loads

- ▶ Use a tool or a second person for steps directly involving the motor.

#### Requirement:

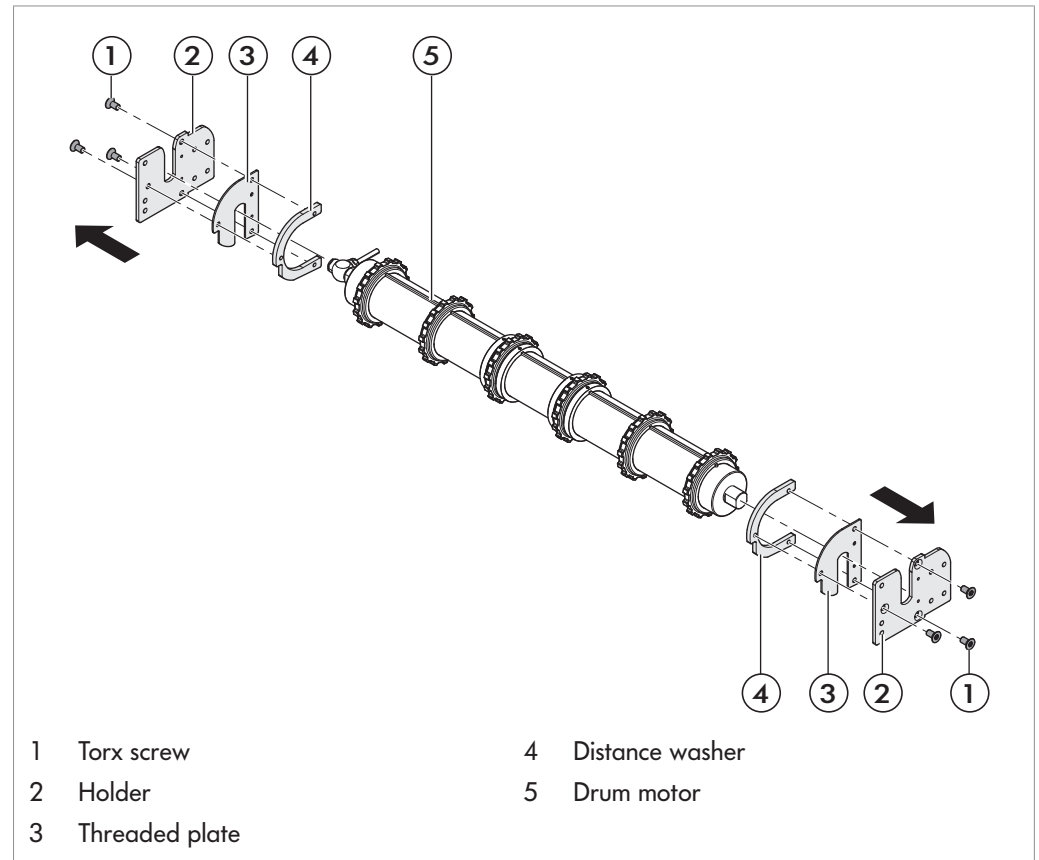
- The module is shut down.
  - ▶ Remove the module conveyor, see "Replacing the module conveyor", page 57.
  - ▶ Remove the cable cover, see "Removing/installing head drive cable connection cover", page 54
  - ▶ Disconnect the drum motor (4) from the power supply.
  - ▶ Loosen screws (1) on the right and left, remove threaded plate (3) and push drum motor (4) out of the side frame (2).
  - ▶ Properly dispose of the old drum motor.
  - ▶ Push new drum motor (4) into the C-profile of the side frame (2).

## Interroll Module belt conveyor SH 1100

### Maintenance and repair

- ▶ Secure the drum motor on the right and left with screws (1) and threaded plates (3).
- ▶ Connect the drum motor (4) to the power supply.
- ▶ Install the cable cover and module conveyor in reverse order.

#### Removing/installing holder from/on the drum motor (head drive)



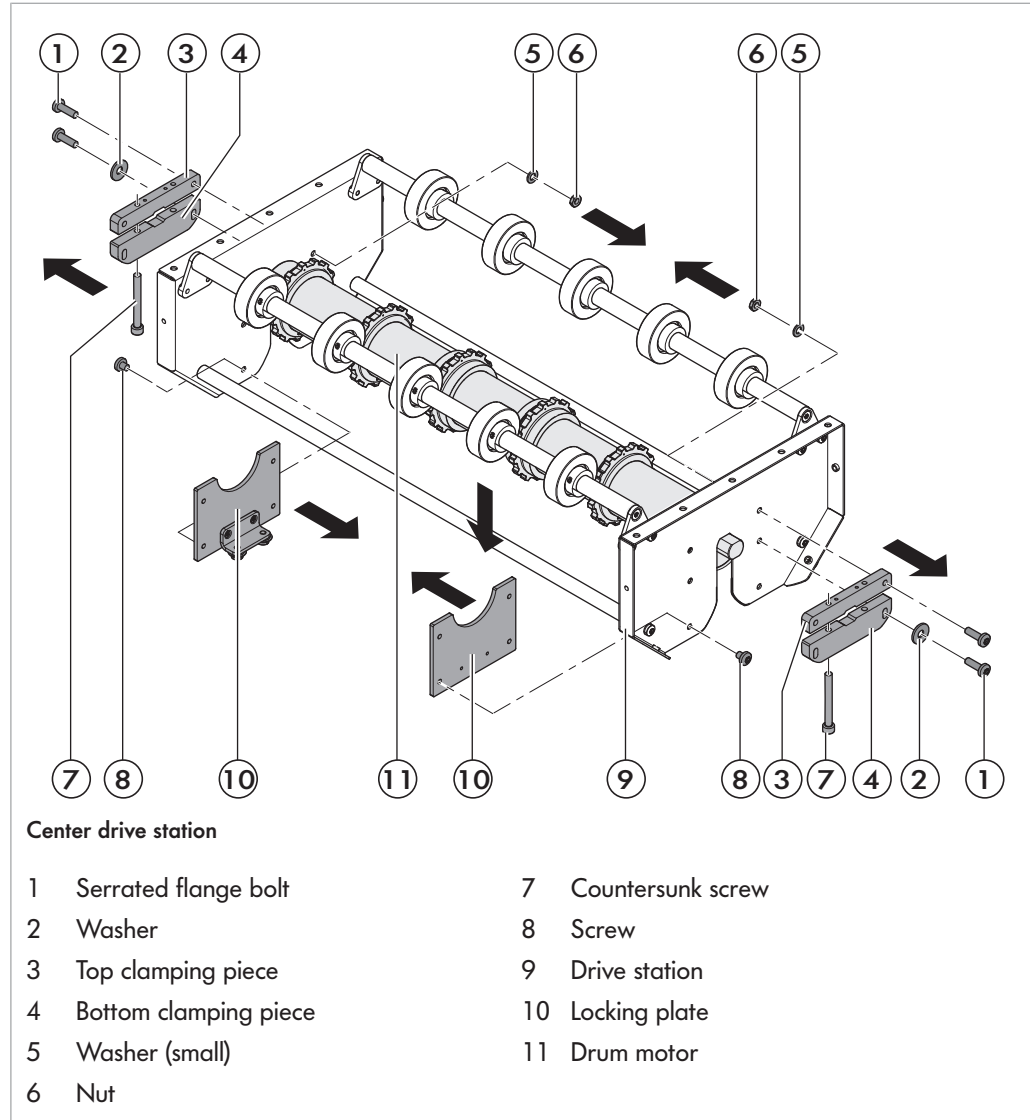
#### Requirement:

- The module is shut down.
- ▶ Disassemble drum motor, see *"Replacing the drum motor (head drive)"*, page 62.
- ▶ Loosen screws (1) from the holder (2). Remove threaded plate (3) and spacer (4).
- ▶ After the maintenance work: Screw holder (2) with threaded plate (3) and spacer (4) onto the drum motor (5).
- ▶ Install the drum motor in reverse order.

## Interroll Module belt conveyor SH 1100

### Maintenance and repair

#### Removing/installing drum motor (center drive)



### **⚠ DANGER**

#### **Danger to life from electrocution and crushing**

Installation and maintenance tasks on 400-V conveyor systems while they are in operation can cause life-threatening electrocution and serious crushing.

- ▶ Power down the entire conveyor module and ensure that it cannot be started accidentally.

### **⚠ CAUTION**

#### **Risk of injury when lifting heavy loads**

- ▶ Use a tool or a second person for steps directly involving the motor.



## Interroll Module belt conveyor SH 1100

---

### Maintenance and repair



Fasten screws with a tightening torque of 19 Nm.

Requirement:

- The module is shut down.
- ▶ Remove the module conveyor, see *"Replacing the module conveyor"*, page 57.
- ▶ Remove cable connection cover, see *"Removing/installing center drive cable connection cover"*, page 54
- ▶ Disconnect the drum motor (11) from the power supply.
- ▶ Unscrew countersunk screws (7) and ribbed screws (1), remove clamping pieces (3, 4).
- ▶ Remove the screws (8). Remove locking plates (10).
- ▶ Remove the drum motor (11) downward through the opening.
- ▶ After the maintenance work: Insert drum motor (11) through the opening to the top.
- ▶ Push in locking plates (10). Fasten with two screws each (8).
- ▶ Fasten clamping piece (3) with ribbed screws (1), small washers (5) and nuts (6) on both sides of the drive station (9).
- ▶ Fasten clamping piece (4) with ribbed screws (1) and washers (2).
- ▶ Connect clamping pieces (3, 4) with countersunk screws (4).
- ▶ Connect the drum motor to the power supply.
- ▶ Install the cable connection cover and module conveyor in reverse order.

## Interroll Module belt conveyor SH 1100

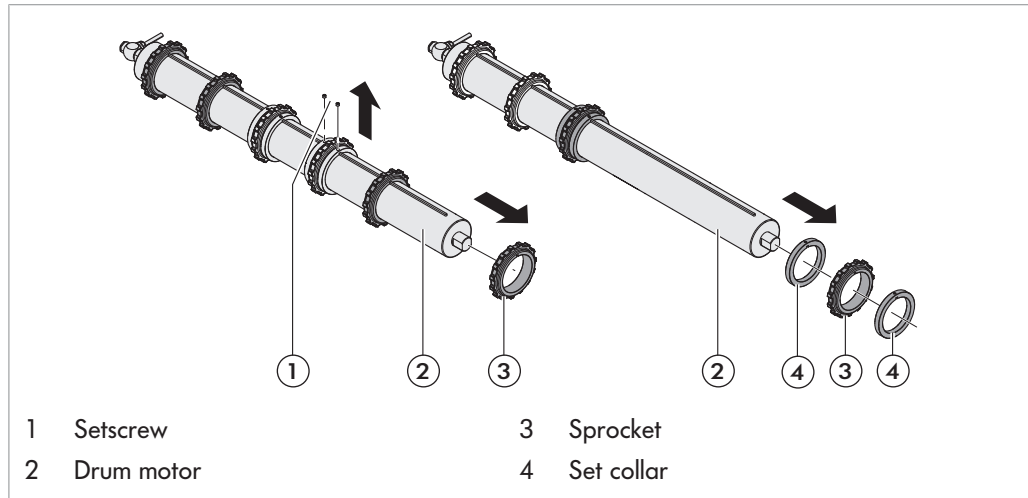
### Maintenance and repair

#### Replace the sprockets

To replace the sprockets, it is first necessary to remove the drum motor.



When replacing the sprockets, the set collars must also be replaced.



### **⚠ CAUTION**

#### Risk of injury when lifting heavy loads

- ▶ Use a tool or a second person for steps directly involving the motor.



Fasten screws with a tightening torque of 3.5 Nm.

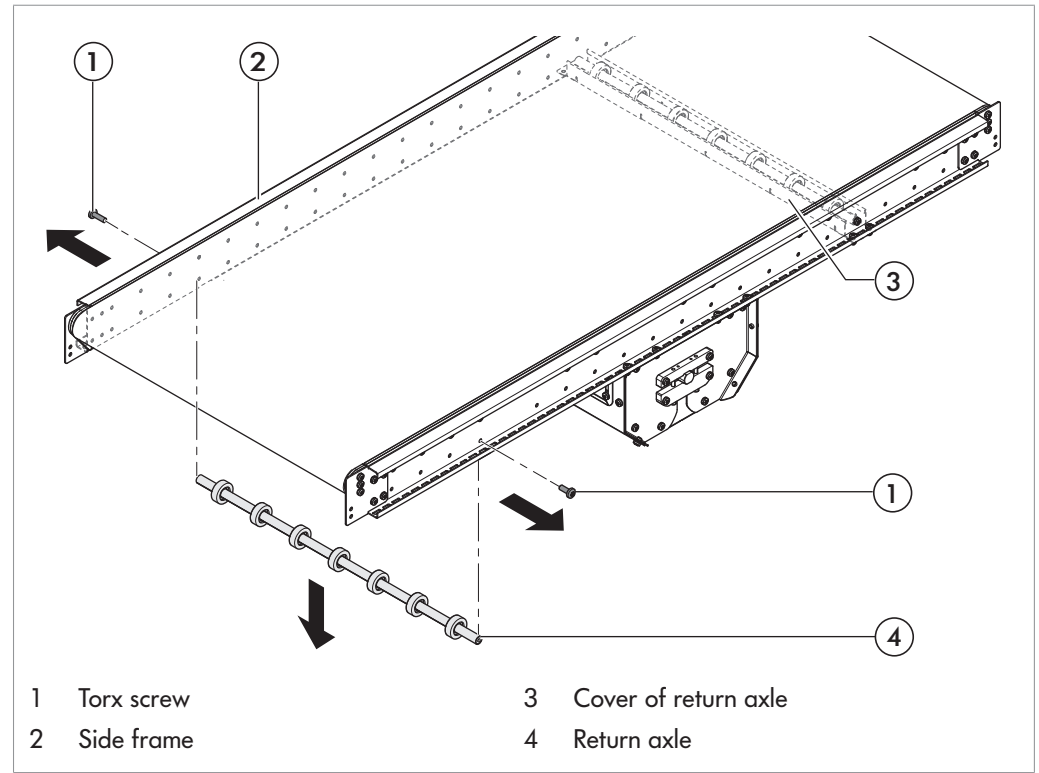
Requirement:

- The module is shut down.
  - ▶ Disassemble drum motor, see *"Removing/installing drum motor (center drive)"*, page 64 or see *"Replacing the drum motor (head drive)"*, page 62.
  - ▶ Only for the head drive drum motor: Remove the holder, see *"Removing/installing holder from/on the drum motor (head drive)"*, page 63.
  - ▶ Pull the sprockets (3) off the drum motor (2) by and by.
  - ▶ Loosen setscrews (1) from the set collars (4) to be able to replace the two middle sprockets (3).
  - ▶ Pull set collars (4) off the drum motor (2).
  - ▶ Properly dispose of the old sprockets and set collars.
  - ▶ Push new set collars (4) onto the drum motor (2) to position the two middle sprockets (3), fasten set collars (4) with setscrews (1).
  - ▶ Push new sprockets (3) onto the drum motor (2) by and by.
  - ▶ Install the drum motor and holder in reverse order.

## Interroll Module belt conveyor SH 1100

### Maintenance and repair

#### Replacing the return axle



### DANGER



#### Danger to life from electrocution and crushing

Installation and maintenance tasks on 400-V conveyor systems while they are in operation can cause life-threatening electrocution and serious crushing.

- ▶ Power down the entire conveyor module and ensure that it cannot be started accidentally.



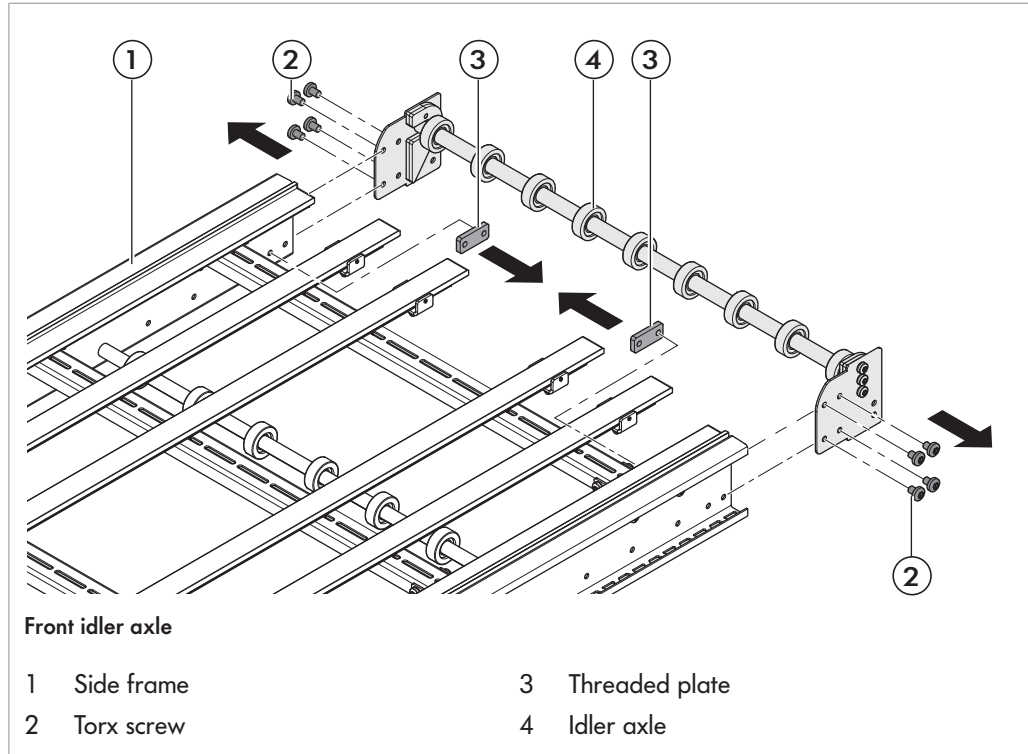
Fasten screws with a tightening torque of 19 Nm.

Requirement:

- The module is shut down.
  - ▶ Remove cover of the return axle to be replaced, see "*Removing/installing cover plates at return axles*", page 52.
  - ▶ Unscrew the screws (1) and remove return axle (4).
  - ▶ Properly dispose of the old return axle.
  - ▶ Fasten the new return axle (4) with screws (1) in the side frame (2).
  - ▶ Install the cover of the return axle in reverse order.

### Maintenance and repair

#### Replacing the front idler axle



### **⚠ DANGER**

#### **Danger to life from electrocution and crushing**

Installation and maintenance tasks on 400-V conveyor systems while they are in operation can cause life-threatening electrocution and serious crushing.

- ▶ Power down the entire conveyor module and ensure that it cannot be started accidentally.



Fasten screws with a tightening torque of 19 Nm.

#### Requirement:

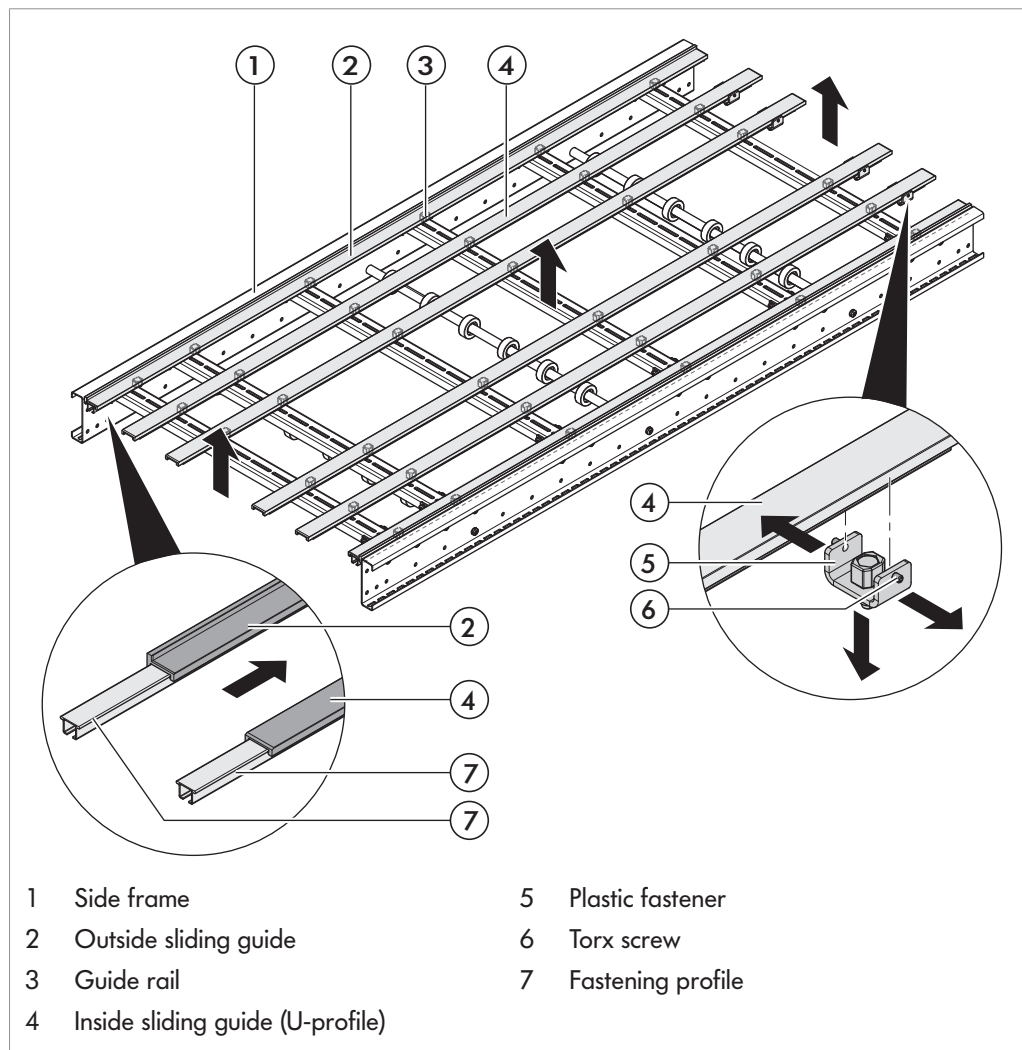
- The module is shut down.
  - ▶ Remove the module conveyor, see "Replacing the module conveyor", page 57.
  - ▶ Loosen screws (2) on the right and left, remove threaded plate (3) and push idler axle (4) out of the side frame (1).
  - ▶ Properly dispose of the old idler axle.
  - ▶ Push new idler axle (4) into the C-profile of the side frame (1).
  - ▶ Secure the idler axle (4) on the right and left with screws (2) and threaded plates (3).
  - ▶ Install the module conveyor in reverse order.

## Interroll Module belt conveyor SH 1100

### Maintenance and repair

#### Replacing sliding guides

Replacing the sliding guides requires removing the fastening profiles. The plastic fasteners hold the sliding guides on the fastening profiles in position.



### DANGER



#### Danger to life from electrocution and crushing

Installation and maintenance tasks on 400-V conveyor systems while they are in operation can cause life-threatening electrocution and serious crushing.

- ▶ Power down the entire conveyor module and ensure that it cannot be started accidentally.



Fasten screws with a tightening torque of 3.5 Nm.

## Interroll Module belt conveyor SH 1100

---

### Maintenance and repair

Requirement:

- ☑ The module is shut down.
- ▶ Remove the module conveyor, see *"Replacing the module conveyor"*, page 57.
- ▶ Loosen fastening profiles (7) together with the inside and outside sliding guides (2, 4) to the top from the securing blocks.
- ▶ Loosen screws (6) out of the plastic fasteners (5) at the inside sliding guides (4) and pull fasteners (5) off the sliding guides (4).
- ▶ Push sliding guides (2, 4) off the fastening profiles (7).
- ▶ Properly dispose of the old sliding guides.
- ▶ Push sliding guides (2, 4) onto the fastening profiles (7).
- ▶ Push plastic fasteners (5) onto the ends of the inside sliding guide (4) and secure them with screws (6).
- ▶ Click fastening profiles (7) together with the sliding guides (2, 4) onto the securing blocks of the guide rail (1).
- ▶ Install the module conveyor in reverse order.

## Interroll Module belt conveyor SH 1100

### Maintenance and repair

### Replacing the photo cell and reflector



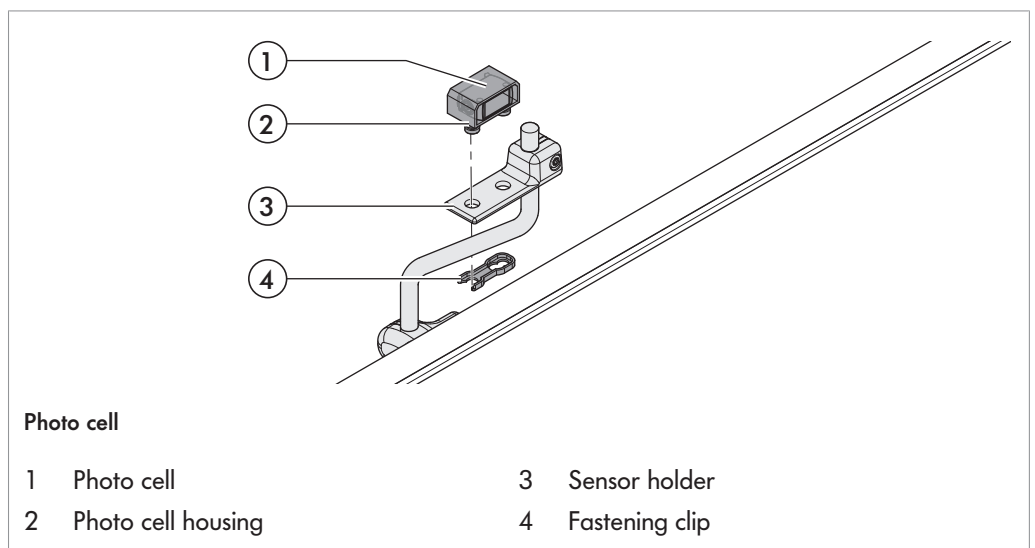
#### **⚠ DANGER**

##### **Danger to life from electrocution and crushing**

Installation and maintenance tasks on 400-V conveyor systems while they are in operation can cause life-threatening electrocution and serious crushing.

- ▶ Power down the entire conveyor module and ensure that it cannot be started accidentally.

#### Replacing the photo cell



The photo cell is replaced together with the photo cell housing and the fastening clip.



The fine adjustment of the photo cell is done with the vertical adjustment of the sensor holder on the mounting bracket until it "sees" the reflector.



The electrical installation of the photo cell takes place after installing the reflector.

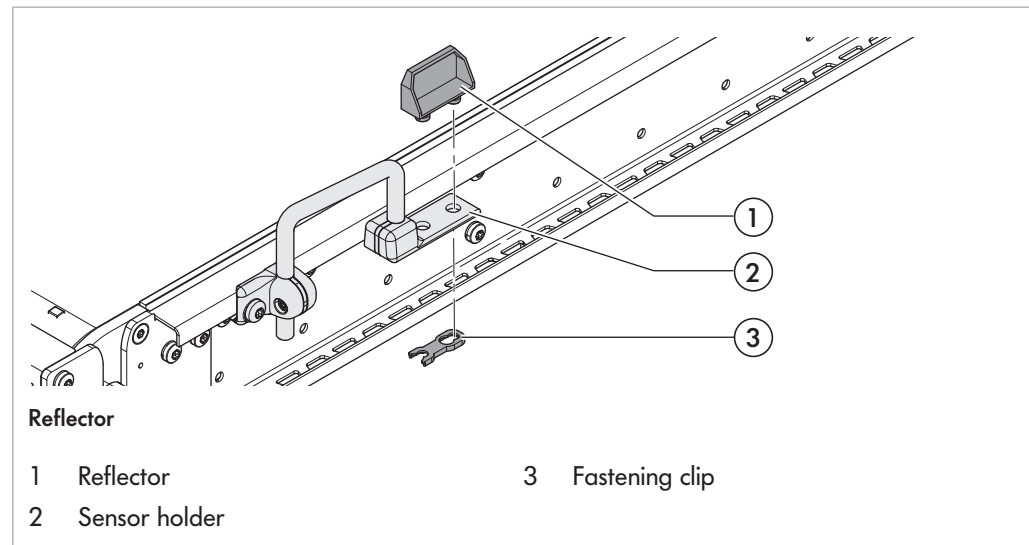
- ▶ Loosen the fastening clip (4) under the sensor holder (3).
- ▶ Remove old photo cell (1) and housing (2) from the sensor holder.
- ▶ Insert the new photo cell in the housing at the same location. The studs of the housing (2) are guided through the holes in the sensor holder (3) and secured with the fastening clip (4) from the opposite side. The clip engages noticeably through lateral movement and secures the photo cell in place.
- ▶ Connect the photo cell to the control of the module with a cable.
- ▶ Check whether both LEDs are lit.
- ▶ If the yellow LED flashes, position reflector and photo cell relative to each other.

## Interroll Module belt conveyor SH 1100

### Maintenance and repair

LED green	LED yellow	Meaning
On	Off	Photo cell is operational. No signal from reflector.
On	On	Photo cell is correctly adjusted. Light beam is well reflected.
On	Flashing	Photo cell is operational. Weak signal. Reflector is dirty, damaged or not correctly adjusted.

### Replacing the reflector



The reflector is replaced in the same way as the photo cell:

Requirement:

- The module is shut down.
- ▶ Loosen the fastening clip (3) under the sensor holder (2).
- ▶ Remove old reflector (1) from sensor holder.
- ▶ Place new reflector at the same location. The studs of the reflector (1) are guided through the holes in the sensor holder (2) and secured with the fastening clip (3) from the opposite side. The clip engages noticeably through lateral movement and secures the reflector in place.



## Troubleshooting

### In case of a fault



#### **⚠ DANGER**

##### **Danger to life from electrocution**

- ▶ Only perform maintenance and repair work after you have switched off power.
- ▶ Faults on electrical equipment may be rectified only by a trained electrician!

- ▶ Immediately power down the module and ensure that it cannot be started accidentally.
- ▶ Remove material and objects that block the conveyor.
- ▶ Before switching it on again, ensure that no persons are at risk.
- ▶ Properly dispose of any gear oil that has leaked. Have the motor replaced by qualified personnel, if necessary.

### Troubleshooting

<b>Fault</b>	<b>Cause</b>	<b>Remedy</b>
Conveying goods jam between the side guides	Conveying goods sit on the module at an angle	Align conveying goods parallel to the side guide
	Center of gravity of the load is not centered	Align the center of gravity of the load
Transport process cannot be started and motor does not run	Main switch and/or control turned off	Check the switch position; turn on main switch and/or key switch of the control as required
	Supply line damaged	Check supply line
Transport process cannot be started and motor is running	Module conveyor too loose	Retension module conveyor
	Transport weight too high	Observe maximum weight
Transport shows jerky movements	Foreign objects in roller area	Remove foreign objects
Conveying goods are not being transported	Defective drum motor	Replace defective motor
	Defective roller	Replace defective roller
Module conveyor brushes against the side frame	Module conveyor adjustment is not straight	Adjust module conveyor



## Interroll Module belt conveyor SH 1100

---

### Troubleshooting

<b>Fault</b>	<b>Cause</b>	<b>Remedy</b>
Motor circuit breaker is triggered due to excessive current consumption	Gear box defective, bearing of drive roller/idler pulley defective	Replace the defective part
	Short circuit	Check electrical connections and replace defective parts
	Unit weight too high	Observe maximum weight
Noise development/ squeaking/whistling	Bearing defective	Replace bearing
	Module conveyor is touching	Remove the cause
	Dirty roller	Clean roller

## Interroll Module belt conveyor SH 1100

---

### Spare and wear parts

All spare and wear parts are available from Interroll. Maintenance and repair work may be performed only by qualified personnel. Interroll offers training sessions about required maintenance and repair tasks upon request.



The spare parts for the connector sets can be ordered from Interroll upon request. The different connector sets are matched to all available conveyor modules and include static connectors as well as safety-relevant protective devices.

### Ordering information

Ordering spare and wear parts requires the exact identification of the module, see type plate.

The following information is required for an order:

- Machine number
- Type
- Item number in spare parts list
- Designation
- Material number

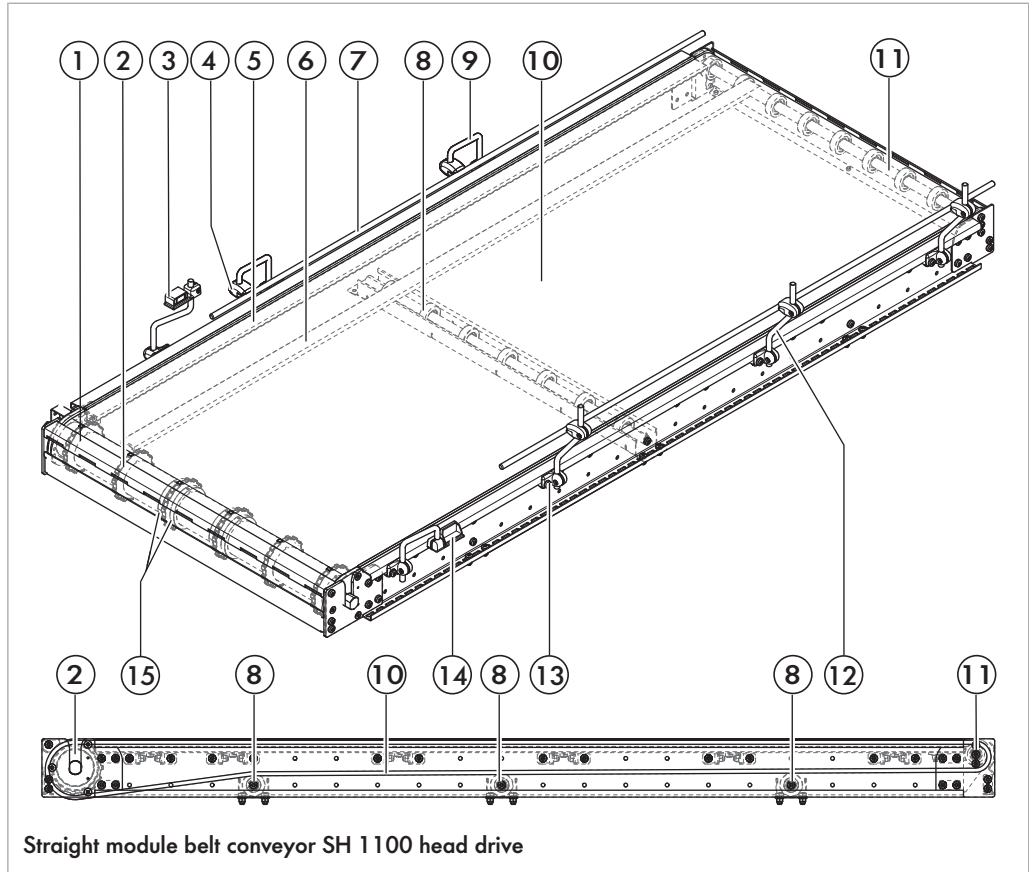
For additional information about the spare parts portfolio, please contact your supplier.

## Interroll Module belt conveyor SH 1100

### Spare and wear parts

#### SH 1100 with head drive

Spare parts drawing of SH  
1100 with head drive




## Interroll Module belt conveyor SH 1100

### Spare and wear parts

#### Spare parts list of SH 1100 with head drive

S = spare part, W = wear part, T = tool

#### Type: 1100 head drive ( S, M, L)

Item No.:	Designation	Material number	S/W/T	
1	Drive motor DM0080 (HD)	S: 63180128 M: 63180131 L: 63180134	S	
2	Sprocket	63170835	S	
3	Photo cell incl. housing, fastening clip and cable	63104071	S	
4	Side guide bracket	63172677	S	
5	Outside sliding guide (incl. fastening profiles and securing blocks)	63170821	S	
6	Inside sliding guide (incl. fastening profiles and securing blocks)	63170820	S	
7	Side guide	1129435	S	
8	Return axle	S: 63170990 M: 63170937 L: 63170818	S	
9	Mounting bracket U	63172696	S	
10	Module conveyor	S: 1129573 M: 1129574 L: 1129575	S	
11	Front idler axle	S: 63180130 M: 63180133 L: 63170922	S	
12	Mounting bracket Z	63172672	S	
13	Universal support	63172654	S	
14	Reflector incl. reflective tape and fastening clip	64000905	S	



## Interroll Module belt conveyor SH 1100

---

### Spare and wear parts


---

Type: 1100 head drive ( S, M, L)

---

Item No.:	Designation	Material number	S/W/T
15	Set collar	63170839	S

---

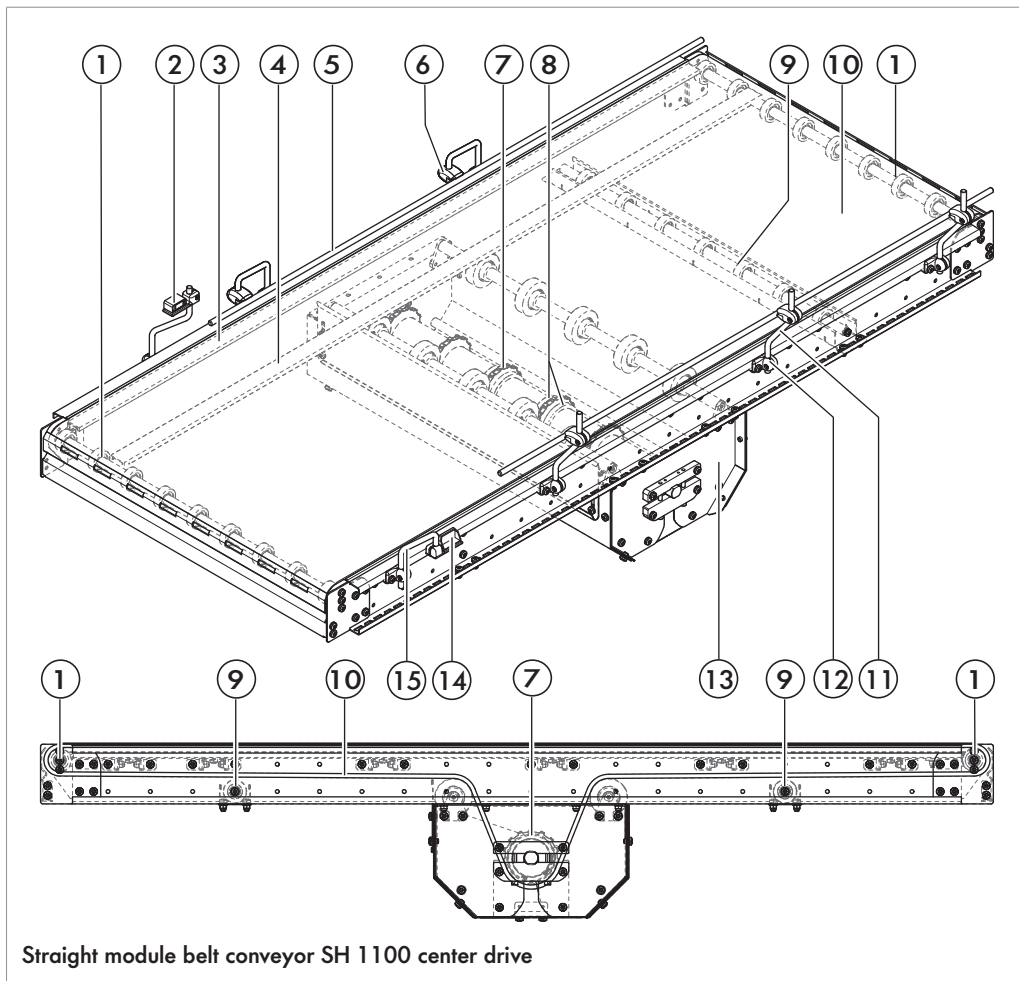
A technical drawing of a set collar, showing two concentric rings with a small gap between them, representing the collar's profile.

# Interroll Module belt conveyor SH 1100

## Spare and wear parts

### SH 1100 with center drive

Spare parts drawing of SH 1100 with center drive




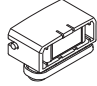
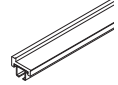
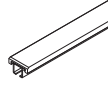






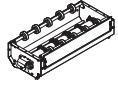
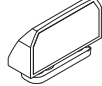
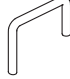
## Interroll Module belt conveyor SH 1100

### Spare and wear parts

#### Spare parts list of SH 1100 with center drive

S = spare part, W = wear part, T = tool

#### Type: 1100 center drive (S, M, L)

Item No.:	Designation	Material number	S/W/T	
1	Front idler axle	S: 63180130 M: 63180133 L: 63170922	S	
2	Photo cell incl. housing, fastening clip and cable	63104071	S	
3	Outside sliding guide (incl. fastening profiles and securing blocks)	63170821	S	
4	Inside sliding guide (incl. fastening profiles and securing blocks)	63170820	S	
5	Side guide	1129435	S	
6	Side guide bracket	63172677	S	
7	Sprocket	63170835	S	
8	Set collar	63170839	S	
9	Return axle	S: 63170990 M: 63170937 L: 63170818	S	
10	Module conveyor	S: 1129573 M: 1129574 L: 1129575	S	
11	Mounting bracket Z	63172672	S	
12	Universal support	63172654	S	
13	Drive station (CD)	S: 63180122 M: 63180125 L: 63180127	S	
14	Reflector incl. reflective tape and fastening clip	64000905	S	
15	Mounting bracket U	63172696	S	



## Interroll Module belt conveyor SH 1100

---

### Decommissioning and disposal

- ▶ When disposing the motor oil, observe the disposal documents of the motor manufacturer.
- ▶ The packaging must be recycled to provide environmental relief.

### Environmental protection regulations

For all work on and with the module, the legal regulations concerning waste avoidance and proper disposal and recycling must be followed.

---

### NOTICE



**Substances with a water hazard class, such as greases and oils, hydraulic oils, coolants or cleaning agents with solvents may not be allowed to come into contact with the ground or reach the sewer system!**

- ▶ Store, transport, catch and dispose these substances in suitable containers!
  - ▶ Observe the notices on the supply containers.
  - ▶ Observe any additional national regulations.
-

### Declaration of incorporation

In accordance with EC Machinery Directive 2006/42/EC, Appendix II 1 B

Manufacturer and person authorized to prepare the technical documents

Interroll Trommelmotoren GmbH

Center of Excellence Hygienic Solutions

Opelstraße 3

41836 Hueckelhoven/Baal (Germany)

herewith declares that the conveyor module described below is an incomplete machine in accordance with the EC Machinery Directive:

- Interroll Module Belt Conveyor - Straight SH 1100

The incomplete machine may only be started up if it has been determined that the complete machine/system into which the incomplete machine is to be installed meets the requirements of this directive.

The following safety and occupational health requirements as stated in Appendix I have been applied:

- 1.1.2, 1.1.3, 1.1.5, 1.1.6, 1.3.1, 1.3.2, 1.3.3, 1.3.4, 1.3.6, 1.3.7, 1.3.8, 1.4.1, 1.4.2, 1.5.1, 1.5.2, 1.5.4, 1.5.5, 1.5.6, 1.5.8, 1.5.9, 1.6.1, 1.6.2, 1.6.4, 1.7.1, 1.7.2, 1.7.3, 1.7.4

The special technical documents mentioned in Appendix VII B have been prepared and will be transmitted to the responsible authority if necessary. Transmission is performed electronically.

Applicable EC Directives:

- Machinery Directive 2006/42/EC
- EMC Directive 2014/30/EU

Applicable EC/EU regulations:

- Regulation 10/2011/EU
- Regulation 1935/2004/EU

Applied harmonized standards:

- EN 415-10:2014 "Safety of machinery - Ergonomic design principles - Part 1: Terminology and classification of packaging machines and associated equipment"
- EN 619:2011-02 "Continuous handling equipment and systems - Safety and EMC requirements for equipment for mechanical handling of unit loads"
- EN ISO 12100:2011-03 "Safety of machinery - General principles for design - Risk assessment and risk reduction"
- DIN EN 1672-1:2014-12 "Food processing machinery - Basic concepts - Part 1: Safety requirements"
- EN ISO 13854:2020-01 "Safety of machinery - Minimum gaps to avoid crushing of parts of the human body"
- EN ISO 13849-1:2016-06 "Safety of machinery - Safety-related parts of control systems - Part 1: General principles for design"

## Interroll Module belt conveyor SH 1100

---

### Declaration of incorporation

Hueckelhoven/Baal, dated 16 May 2022

A handwritten signature in black ink, appearing to read 'H. Tiedemann'.

Dr. Hauke Tiedemann  
Managing Director

### Declaration of incorporation

#### UK Supply of Machinery (Safety) Regulations 2008

##### The manufacturer

Interroll Trommelmotoren GmbH  
Opelstr. 3  
D - 41836 Hueckelhoven/Baal  
Germany

##### represented in the UK by

Interroll Limited  
Unit 1a, Orion Way Kettering, Northants  
NN15 6NL  
England

##### hereby declares that the "incomplete machine"

- Interroll Belt Conveyor SH1100

##### is an incomplete machine in the sense of the EC Machinery Directive (2006/42/EC), but complies with the following requirements according to Annex I of this Directive:

1.1.2, 1.1.3, 1.1.5, 1.1.6, 1.3.1, 1.3.2, 1.3.3, 1.3.4, 1.3.6, 1.3.7, 1.3.8, 1.4.1, 1.4.2, 1.5.1, 1.5.2, 1.5.4, 1.5.5, 1.5.6, 1.5.8, 1.5.9, 1.6.1, 1.6.2, 1.6.4, 1.7.1, 1.7.2, 1.7.3, 1.7.4

The specific technical documentation according to Annex VII B has been prepared and will be submitted to the competent authority if required.

The commissioning of the incomplete machine is prohibited until the conformity of the overall machine/system in which it is installed with the UK Supply of Machinery (Safety) Regulations 2008 has been declared.

##### Further applied guidelines and resulting UKCA marking:

- UK Electromagnetic Compatibility Regulations 2016
- UK Restriction of the Use of Certain Hazardous Substances in Electrical and Electronic Equipment Regulations 212

##### Applied harmonized standards:

- EN ISO 12100:2011-03
- EN 60204-1:2019-06
- EN IEC 63000:2019-05
- EN 619:2011-02
- EN 1672-1:2014-12

##### Other standards applied:

- EN 60034-1:2011-02
- EN 60034-11:2005-04
- EN IEC 60034-14:2019-04
- EN IEC 60034-5:2021-05
- EN 60034-6:1996-08
- EN 61984:2009-11

## Interroll Module belt conveyor SH 1100

---

### Declaration of incorporation

- EN 61800-1:2018:11

The partly completed machine may only be put into operation when it has been established that the complete machine/system in which the partly completed machine is to be installed is to be installed, complies with the provisions of this directive.

### Authorised for compiling technical documentation:

Interroll Trommelmotoren GmbH, Opelstr. 3, Germany - 41836 Hueckelhoven  
Hueckelhoven, 16th May 2022



Dr. Hauke Tiedemann  
(Managing Director)

## Appendix

### Warranty for Interroll module belt conveyors

Interroll grants a two-year warranty on its module belt conveyor range; the warranty applies to manufacturing and material defects and starts with the delivery or pickup at the factory. The warranty period is based on the regular operation of the product eight hours per day, provided no written agreement to the contrary is in effect.

As part of this warranty, Interroll repairs or replaces any defective product, free of charge, that is returned to the factory before the warranty period expires. The warranty period shall not be extended by repairs performed within the framework of the warranty.

#### Restrictions

Interroll and its dealers do not assume any liability for shutdowns or damages to the product that are due to the following causes:

- Non-observance of the installation or maintenance notes from Interroll
- Operation of the motor without suitable motor protection
- Not connecting the internal Interroll thermal circuit breaker (if available)
- Reversing the rotational direction before the motor has reached complete standstill
- Use of the module belt conveyor outside the specifications stated on the nameplate and/or in the current Interroll catalog or quotation

Repairs, modifications or conversions to the product that are not performed by a qualified Interroll technician or service partner, void the warranty, unless such work was clarified beforehand with Interroll in writing.

#### Exceptions

The Interroll warranty excludes any liability for the following damages:

- Damages caused by incorrect use or normal wear on materials used
- Costs for removal and return shipment of the product to Interroll as part of this warranty
- Damage to other systems that are used in conjunction with the product
- Loss of income, injuries or other costs in conjunction with the failure of the product

### Interroll Service

Do you any questions or issues?

Our Service Team will gladly provide support:

Hotline: +49 (0) 2193 - 23 222

E-mail: [ceu.service@interroll.com](mailto:ceu.service@interroll.com)



## Interroll Module belt conveyor SH 1100

---

