

# RollerDrive EC5000 AI/BI

24 V/48 V DC, analogue interface/bus interface



EN - Operating Manual

3

FR - Notice d'utilisation

63



---

## **Manufacturer details**

### Europe:

Interroll Engineering GmbH  
Höferhof 16  
D-42929 Wermelskirchen  
Tel. +49 2193 23 0  
Fax +49 2193 2022  
www.interroll.com

### USA / Canada:

Interroll Corporation  
3000 Corporate Drive  
USA - Wilmington, NC 28405  
Tel. +1 (910) 799 1100  
Toll Free (800) 830 9680  
www.interroll.us

### Asia:

Interroll (Suzhou) Co. Ltd.  
NO. 16 Huipu Road  
Suzhou Industrial Park  
Jiangsu Province, P.R.China  
Zip code:215126  
www.interroll.com

## **Content**

We strive for the accuracy, timeliness and completeness of the information and have carefully prepared the contents in this document. Regardless of this, errors and changes are expressly reserved.

## **Copyright/industrial property rights**

Any texts, images, graphics and the like, as well as their arrangement, are subject to protection under copyright and other laws of protection. The reproduction, modification, transmission or publication of any part of this document or of the entire document in any form is prohibited.

The document serves the exclusive purposes of information and of operation in accordance with the regulations and does not justify any counterfeiting of the products concerned.

All signs contained in this document (protected marks, such as logos and trade names) are the property of Interroll Holding AG, CH or of third parties and must not be used, copied or distributed without prior written consent.

Online version – only suitable for colour printing!

---

<b>1</b>	<b>About this document</b>	<b>7</b>
1.1	Information about this operating manual	7
1.2	Warning notices in this document	8
1.3	Symbols	9
<b>2</b>	<b>Safety-related information</b>	<b>10</b>
2.1	State of the art	10
2.2	Proper use	10
	Application field	10
2.3	Improper use	11
2.4	Qualification of personnel	11
2.5	Dangers	12
	Injury to persons	12
	Electricity	12
	Rotating parts	12
	Heat	12
	Work environment	12
	Faults in operation	12
	Maintenance	13
	Unintentional start-up	13
2.6	Interface to other devices	13
2.7	Operating modes/operating phases	13
	Standard operation	13
	Special operation	13
2.8	Applicable documentation	14
<b>3</b>	<b>Product information</b>	<b>15</b>
3.1	Components	15
	Colour rings on the connectors	15
3.2	Product description	16
	Overload protection	16
3.3	RollerDrive EC5000 BI with CAN bus	18
	Service life indicator lights	18
	Health indicator lights	19
	Various operating modes	20
3.4	Rating plate	21
3.5	RollerDrive EC5000 as a replacement for RollerDrive EC310	22
3.6	Product identification	23

# Contents

---

3.7	Technical specifications	24
	EC5000 20 W – AI/BI – 24 V DC	24
	EC5000 35 W – AI/BI – 24 V DC	25
	EC5000 50 W – AI/BI – 24 V DC	26
	EC5000 20 W – AI/BI – 48 V DC	27
	EC5000 35 W – AI/BI – 48 V DC	28
	EC5000 50 W – AI/BI – 48 V DC	29
3.8	Performance data	30
	Explanation of terms	30
	EC5000 20 W – 24 V DC/48 V DC	31
	EC5000 35 W – 24 V DC/48 V DC	31
	EC5000 50 W – 24 V DC/48 V DC	32
3.9	Control systems for the RollerDrive EC5000	33
3.10	RollerDrive connector AI	34
3.11	RollerDrive connector BI	35
3.12	Dimensions of the motor shaft	36
3.13	Drive axle dimensions	36
	50 mm IP54	36
	50 mm IP66	38
	60 mm IP54 - only 50 W	39
3.14	Tapered RollerDrive (for curves)	40
<b>4</b>	<b>Transport and storage</b>	<b>43</b>
4.1	Transport	43
4.2	Storage	43
<b>5</b>	<b>Assembly and installation</b>	<b>44</b>
5.1	Warning notices for installation	44
5.2	Installing the RollerDrive	45
	Installing the attachment shaft	45
	Attaching the non-cable side	46
	Securing the RollerDrive in the side profile	47
5.3	Installation tool (accessory)	48
	The Interroll Interlock (accessory)	49
5.4	Warning notices for electrical installation	50
5.5	Electrical installation	50
	UL / CSA Safety Information	50
	Conditions of Acceptability	51

# Contents

---

	Installation	51
<b>6</b>	<b>Start-up and operation</b>	<b>52</b>
6.1	Warning notices for start-up and operation	52
6.2	Start-up	52
	Check before the initial start-up	52
6.3	Operation	53
	Check before every start-up	53
6.4	Procedure in the event of accidents or faults	53
<b>7</b>	<b>Maintenance and cleaning</b>	<b>54</b>
7.1	Maintenance	54
	Checking the RollerDrive	54
	Replacing the RollerDrive	54
7.2	Cleaning	55
<b>8</b>	<b>Assistance in the event of faults</b>	<b>55</b>
8.1	Troubleshooting	55
<b>9</b>	<b>Decommissioning and disposal</b>	<b>56</b>
9.1	Decommissioning	56
9.2	Disposal	56
<b>10</b>	<b>Appendix</b>	<b>57</b>
10.1	Accessories	57
	Interroll control systems	57
	Interroll High Performance power supply unit	57
	RollerDrive extension cable	57
	PolyVee belt	58
	PolyVee clamping aid	58
	PolyVee finger guard (50 mm roller only)	58
	Tool	58
10.2	Translation of the original Declaration of Conformity	59
10.3	UL Certificate of Compliance	60



## 1 About this document

### 1.1 Information about this operating manual

This operating manual covers the following Interroll motor rollers:

- RollerDrive EC5000 AI with analogue interface, 24 V DC and 48 V DC
- RollerDrive EC5000 BI with digital CANopen bus interface, 24 V DC and 48 V DC

in three different power levels (see „Product description“ on page 16).

In the course of this manual, the term ‘RollerDrive’ will sometimes be used, or alternatively the type designation ‘EC5000’.

The operating manual is a component of the product and contains important advice and information regarding the different operating phases of the RollerDrive. It describes the RollerDrive at the time of shipping from Interroll.

The currently applicable version of this operating manual can be found online at:

[www.interroll.com](http://www.interroll.com)

All the information and advice in this operating manual has been compiled with respect to applicable standards and regulations as well as the current state of the art.

For special versions, in addition to this operating manual, particular contractual arrangements and technical documents apply.

- To ensure safe and faultless operation and to fulfil any warranty claims that may apply, read this operating manual first and observe its instructions.
- Keep this operating manual within close reach of the RollerDrive.
- Pass this operating manual onto every subsequent owner or user.



The manufacturer assumes no liability for damage and malfunctions that occur as a result of non-compliance with this operating manual.



Should you still have any unanswered questions after reading this operating manual, please contact Interroll customer service. Contact details for your region can be found online at [www.interroll.com](http://www.interroll.com)

Please direct any comments and suggestions regarding our operating manuals to [manuals@interroll.com](mailto:manuals@interroll.com)

# About this document

---

## 1.2 Warning notices in this document

Warning notices are provided in the context in which danger can occur and describe the nature of the danger in question. They are structured according to the following examples:



### **SIGNAL WORD**

Type and source of hazard

Consequence(s) in the event of non-compliance

➤ Measure(s) for avoiding hazard

---

Signal words indicate the type and severity of the consequences if measures to avoid the hazard are not observed.



### **DANGER**

Denotes an imminent hazard.

If measures to avoid the hazard are not observed, death or severe injury will occur.

➤ Preventive measures

---



### **WARNING**

Denotes a potentially hazardous situation.

If measures to avoid the hazard are not observed, death or severe injury may occur.

➤ Preventive measures

---



### **CAUTION**

Denotes the possibility of a hazardous situation.

If measures to avoid the hazard are not observed, minor or moderate injury may occur.

➤ Preventive measures

---



### NOTE

Denotes a situation that can lead to material damage.

- Preventive measures
- 

### 1.3 Symbols



This symbol indicates useful and important information.

- ✓ This symbol indicates a requirement that must be fulfilled before carrying out assembly or repair work.



This symbol indicates general information relating to safety.

- This symbol indicates an action that needs to be performed.
- This symbol indicates a listed item.



This symbol indicates information concerning the RollerDrive EC5000 with UL / CSA approval.

# Safety-related information

---

## 2 Safety-related information

### 2.1 State of the art

The RollerDrive EC5000 has been constructed with respect to applicable standards and the current state of the art and has been delivered in a condition that is safe to operate. Nevertheless, hazards can occur as a result of use.



Non-compliance with the instructions in this operating manual can result in life-threatening injuries.

In addition, the applicable local accident prevention regulations for the area of application and general safety regulations must be adhered to.

### 2.2 Proper use

The RollerDrive may only be used in an industrial environment for industrial purposes within the stipulated performance limits that are given in the technical specifications.

It must be integrated into a conveyor unit or conveyor system before commissioning.

The RollerDrive may only be used horizontally, with a maximum incline of 2.5°.

#### Application field

Drive for unit load conveyor technology, such as for the transportation of cardboard boxes, containers, barrels, workpiece carriers or tyres.

The RollerDrive is suitable for:

- Zero-pressure roller conveyors
- Entry conveyors
- Roller conveyor curves
- Belt conveyors

Depending on the area of application of the RollerDrive, PolyVee, round or toothed belts as well as chains can be used for the power transmission.

## 2.3 Improper use

Any use that goes beyond the proper use is considered improper, unless this has been authorised by Interroll Engineering GmbH where applicable.

Any modification by conversion to the RollerDrive or attachment to the RollerDrive is prohibited!

The equipment must not be installed in areas in which substances could form explosive atmospheres/dust atmospheres or for application in the medical/pharmaceutical sector.

The use of the RollerDrive in applications in which sea water is used is prohibited.

It is considered improper use to install the equipment in exposed spaces that are open to potentially adverse weather conditions, or areas in which the technology would suffer from the prevailing climactic conditions and could potentially malfunction as a result.

The RollerDrive is not intended for use by private end users. The equipment must not be used in a residential environment without further examination and without the use of EMC protective measures that have been adapted accordingly.

The RollerDrive is not suitable for transporting people.

It must not be used as a safety-relevant component or for performing safety-relevant functions.

## 2.4 Qualification of personnel

Non-qualified personnel are unable to identify risks and are therefore exposed to higher levels of danger.

- Only qualified personnel may be assigned with the tasks outlined in this operating manual.
- The operating company is responsible for ensuring that personnel adhere to the locally valid rules and regulations for working in a safe and risk-aware manner.

This operating manual is intended for the following target audiences:

### **Operators**

Operators are trained in how to operate and clean the Interroll RollerDrive and follow the safety regulations.

### **Service engineers**

The service engineers have a specialist technical education or have successfully completed a training course from the manufacturer. They carry out repair and maintenance work.

### **Qualified electricians**

Qualified electricians have a specialist technical education. Moreover, due to their knowledge and experience as well as knowledge of applicable regulations, they are able to carry out work on electrical equipment in an appropriate manner. They are able to identify hazards independently and prevent electrical damage to persons and property.

All work on electrical equipment must generally only be performed by a qualified electrician.

# Safety-related information

---

## 2.5 Dangers



Here, you will find information about the different types of dangers or damage that can occur in connection with the operation of the RollerDrive.

### Injury to persons

- Maintenance, installation and repair work on the unit must only be carried out by authorised technical personnel in compliance with the applicable provisions.
- Before switching on the RollerDrive, ensure that no unauthorised personnel are situated in the vicinity of the conveyor/conveying system.

### Electricity

- Installation and repair work must only be carried out when the system has been disconnected from the power supply.
- Switch off the power to the RollerDrive and ensure that it cannot be unintentionally switched on again.

### Rotating parts

- Keep fingers and hair away from moving parts.
- Persons with long hair should wear a hair net.
- Close-fitting work clothing should be worn.
- Do not wear items of jewellery such as necklaces or bands.

### Heat

- Do not touch the RollerDrive during operation. In applications with high switching cycles, the temperature of the tube can reach up to 60°C.

### Work environment

- Remove any materials and objects that are not required from the working area.

### Faults in operation

- Regularly check the RollerDrive for visible damage.
- In the event that smoke begins to form, unusual sounds are heard or the material to be conveyed becomes jammed or develops defects, switch off the power to the RollerDrive immediately and ensure that it cannot be unintentionally switched on again.
- Immediately contact specialist personnel to determine the cause of the malfunction.

## Maintenance

- Since the product in question requires no maintenance, it is sufficient to simply examine the RollerDrive for visible damage on a regular basis.
- Never open up the RollerDrive.

## Unintentional start-up

- Ensure that the RollerDrive cannot be switched on unintentionally, particularly during assembly and maintenance work or in the event of a fault.

## 2.6 Interface to other devices

The integration of the RollerDrive into a conveyor system can create additional potential hazards. Such potential hazards are not covered by this operating manual and must be analysed during the development, installation and commissioning of the conveyor system as a whole.

- Following the integration of the RollerDrive into a conveyor system, the entire system must be checked for any new potential hazards that may be present before the conveyor is switched on.

## 2.7 Operating modes/operating phases

### Standard operation

Operation in the installed condition at the end customer as a component in a conveyor in an overall system.

### Special operation

Special operation encompasses all operating modes/operating phases that are necessary to guarantee and maintain safe standard operation.

Special operating mode	Comments
Transport/storage	-
Assembly/commissioning	In de-energised state
Cleaning	In de-energised state
Maintenance/repair	In de-energised state
Fault location	-
Troubleshooting	In de-energised state
Decommissioning	In de-energised state
Disposal	-

# Safety-related information

---

## 2.8 Applicable documentation

The RollerDrive EC5000 is part of the **Interroll DC Platform**, consisting of:

- Interroll High Performance power supply unit HP5424 or HP 5448 (24 V DC/48 V DC)
- Interroll MultiControl AI/BI
- RollerDrive EC5000 AI/BI (24 V DC/48 V DC)
- Interroll DriveControl 20/54/2048



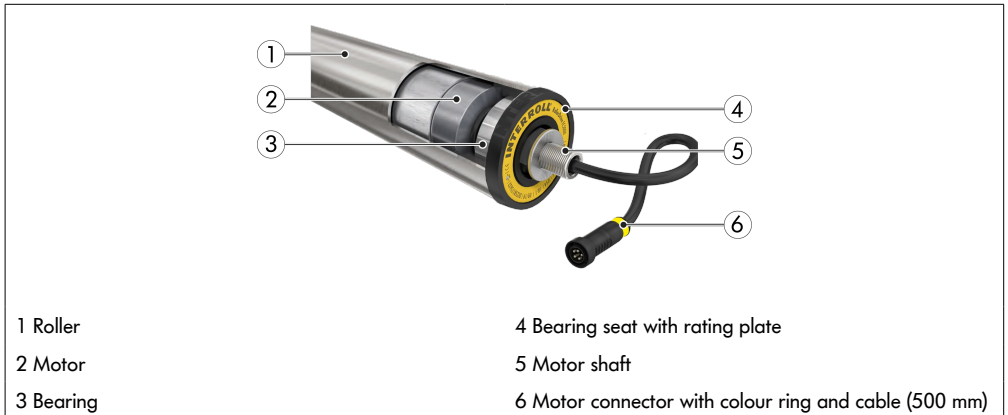
Also ensure that you adhere to the information given in the operating manuals of the connected devices.

Further notes on operating and programming the RollerDrive can be found in the 'Interroll RollerDrive EC5000 BI - Interface Description' supplement.

The latest version of this supplement can be found online at: [www.interroll.com](http://www.interroll.com)

## 3 Product information

### 3.1 Components



### Colour rings on the connectors

The motor connector features a colour ring in order to make the various versions of the RollerDrive EC5000 easily distinguishable from one another.

Colour ring	RollerDrive version
White	Analogue interface, 24 V DC
Grey	Bus interface, 24 V DC
Black	Analogue interface, 48 V DC
Yellow	Bus interface, 48 V DC

# Product information

---

## 3.2 Product description

The RollerDrive EC5000 can be used in both straight and curved sections and ensures a constant conveyor speed. Motors, motor electronics and gears are installed in the RollerDrive.

Both interface versions (analogue/CAN bus) of the RollerDrive EC5000 are available in three different power levels:

- 20 W
- 35 W
- 50 W

### Overload protection

The EC5000 has multiple overload protection systems:

#### Blockage detection (only in velocity mode)

If the RollerDrive is blocked, it tries to overcome the blockage with 2.5 times the nominal torque. If this does not succeed, an error signal is set after 20 seconds and the RollerDrive goes into freewheeling mode.

The error signal is automatically reset after 10 seconds.

Behaviour of the EC5000 AI: If the setpoint is still present, the RollerDrive tries to start again.

Behaviour of the EC5000 BI: The RollerDrive is ready to be acknowledged.

#### Heavy running detection

If the RollerDrive rotates more slowly than specified, it tries to overcome the heavy running with 2.5 times the nominal torque.

If this does not succeed, an error signal is set after 50 seconds and the RollerDrive goes into freewheel mode.

The error signal is automatically reset after 10 seconds.

Behaviour of the EC5000 AI: If the setpoint is still present, the RollerDrive tries to start again.

Behaviour of the EC5000 BI: The RollerDrive is ready to be acknowledged.



At a temperature of the internal motor electronics  $<70^{\circ}\text{C}$  and a motor speed of  $<300$  rpm, the blockage detection and heavy running detection are additionally pulsed for 1 second with four times the nominal torque and for 2 seconds with 2.5 times the nominal torque.



## WARNING

Crushing hazard

From a torque of 3.75 Nm (roller diameter 50 mm) or 4.5 Nm (60 mm) static forces  $> 150$  N occur.  
(see tables on pages 31 to 32)

---



## Temperature monitoring

The temperature of the motor installed in the RollerDrive is monitored in addition to the temperature of the motor electronics. If the maximum permitted temperature is exceeded, the RollerDrive is switched off and an error signal is issued. Once the overheated components have cooled down, the error signal will be reset.

Behaviour of the EC5000 AI: If the setpoint is still present, the RollerDrive tries to start again.

Behaviour of the EC5000 BI: The RollerDrive is ready to be acknowledged.



## WARNING

How the EC5000 AI behaves with overload protection:

The signals from the overload protection functions are automatically reset. If the target value is still applied, the RollerDrive may start up again unintentionally.

➤ Troubleshooting must be carried out via the control system.

---

## Holding brake (zero motion hold)

The RollerDrive EC5000 is equipped with an electronic holding brake that allows it to be used in sloped and ascending conveyors.

EC5000 AI:

Holding brake active when no start signal is present.

EC5000 BI:

Holding brake active in 'Operational' mode and target value '0'.



If the power supply system fails, the holding brake will no longer take effect as the brake is not mechanical.

## Energy recovery system

The RollerDrive recovers energy when braking the conveyed material. This results in the motor and motor electronics heating up less and improves the energy balance of the system. The Interroll control systems are equipped with a circuit that prevents an increase of voltage in the power supply.



If motor control systems are used without a voltage limiter (brake chopper), it must be ensured that the power supply units used are suitable for energy recovery (up to 35 V/60 V).

We recommend using the Interroll High Performance power supply units.

# Product information

---

## 3.3 RollerDrive EC5000 BI with CAN bus

The CAN bus communication of the EC5000 BI is based on the following CAN/CANopen standards:

- ISO 11898-1 Road vehicles – Controller area network (CAN) – Part 1: Data link layer and physical signalling
- ISO 11898-2 Controller area network (CAN) – Part 2: High-speed medium access unit
- EN 50325 Industrial communications subsystem based on ISO 11898 (CAN) for controller-device interfaces – Part 1: General requirements
- CiA 402 CANopen device profile for drives and motion control

CAN bus communication enables, among other things, the actual values of the RollerDrive to be read out (monitoring), including:

- Number of starts/stops
- Operating hours (ready for operation)
- Runtime (time during which motor is rotating)
- Minimum temperature
- Maximum temperature
- Actual temperature
- Number of quick stops
- Average power
- Number of revolutions

So-called health indicator lights and service life indicator lights have also been integrated, which can be evaluated via the connected Interroll MultiControl BI or a connected PLC.

### Service life indicator lights

In accordance with statistically determined reference values, a signal is output when the RollerDrive reaches a service life at which a replacement is recommended.

This is not a fixed value that decreases with the runtime.

The expected service life increases or decreases depending on the load on the RollerDrive.

The service life indicator lights have two statuses:

Green	The RollerDrive has not yet reached its expected service life.
Yellow	The RollerDrive has reached its expected service life. Replacement is recommended.
Red	This status is not used.

## Health indicator lights

So-called health or status indicator lights are used to monitor the current values of the RollerDrive.

Health indicator lights are used to check the

- Temperature
- Power
- Frequency of errors

### Temperature

Green	RollerDrive temperature OK.
Yellow	The temperature of the RollerDrive has reached the warning limit.
Red	The temperature of the RollerDrive has exceeded a critical value.

### Power

Green	The RollerDrive is working within the specified power limits.
Yellow	The rated power of the RollerDrive has been exceeded.
Red	The power of the RollerDrive is >120% of the rated power.

### Frequency of errors

The frequency of the following errors is monitored within a specified time frame:

- Heavy running
- Stall timing
- Overvoltage
- Undervoltage

Green	Status of the RollerDrive OK.
Yellow	The number of errors within the specified time frame has reached the warning limit.
Red	The number of errors within the specified time frame has reached a critical limit.



The indicator lights are used purely for information purposes and do not result in the shutdown of the RollerDrive.

The signals can be evaluated and processed via the connected control system.

# Product information

## Various operating modes

The RollerDrive EC5000 BI can be operated in either speed or positioning mode.

This enables the RollerDrive to be moved with millimetre precision in certain applications.



For the positioning mode, the direction of rotation 'clockwise' (default setting) must be selected in the default settings!

## CAN bus default settings

Node ID: 127 (LSS mode for dynamic address assignment)

Baud rate: 250 kbps

## Default acceleration values for the RollerDrive EC5000 BI (also applies to EC5000 AI)

The EC5000 BI/AI is supplied with the following acceleration values for an optimum acceleration ramp.

Gear	9:1	13:1	18:1	21:1	30:1	42:1	49:1	78:1	108:1
Acceleration value in $\text{mm/s}^2$	13215	9149	6608	5664	3965	2832	2427	1525	1101
Deceleration value in $\text{mm/s}^2$	0	0	0	0	0	2832	2427	1525	1101
Max. acceleration/deceleration value in positioning mode $\text{mm/s}^2$	2907	2013	1454	1246	872	623	534	335	242

These values define the fastest possible acceleration/deceleration and are entered in the RollerDrive in the SDO object '6083h/6084h'.

Object ID	Sub index	Name	Data type	Acc	Min.	Max.	Default	Mappable
6083h	00h	Profile acceleration	UINT32	rw			Gear-dependent	RM
6084h	00h	Profile deceleration	UINT32	rw			0	RM

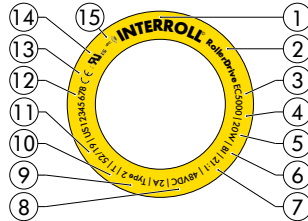


Further information on the CAN bus can be found in the 'Interroll MultiControl BI' operating manual and the 'Interroll RollerDrive EC5000 BI - Interface Description' supplement.

The supplement document can be found in the download area at [www.interroll.com](http://www.interroll.com)

## 3.4 Rating plate

The information on the rating plate allows the RollerDrive to be identified. This is essential to be able to use the RollerDrive as intended.



### Rating plate

- |                              |                                       |
|------------------------------|---------------------------------------|
| 1 Manufacturer               | 8 Electrical connected loads          |
| 2 Designation                | 9 Type rating                         |
| 3 Type designation           | 10 Tapered Sleevings (optional)       |
| 4 DF = Deep Frost (optional) | 11 Calendar week/year of manufacture  |
| 5 Mechanical power           | 12 Serial number with country code    |
| 6 Interface type             | 13 CE marking                         |
| 7 Gear ratio                 | 14 UL marking                         |
|                              | 15 Reference to NFC chip in the label |

Product-specific data can be read out via the Interroll Product App and the NFC chip integrated into the type plate. The Interroll Product App is available in all well-known app stores:



# Product information

## 3.5 RollerDrive EC5000 as a replacement for RollerDrive EC310

The RollerDrive EC5000 24 V DC 20 W AI and EC5000 24 V DC 35 W AI are suitable as a replacement for RollerDrive EC310 without further modifications or accessories.

### NOTE

#### Overload of the existing extension cable with RollerDrive EC5000 24 V DC 50 W AI

- When using the RollerDrive EC5000 24 V DC 50 W AI as a replacement for the RollerDrive EC310, any extension cables used must be replaced.



Note the different speeds as a result of the different rated speeds of the installed motors and different gear ratios.

	RollerDrive EC310	RollerDrive EC5000
Motor rated speed	6000 rpm	6900 rpm <sup>1)</sup>
Gear stages	9:1	9:1
	12:1	13:1
	16:1	18:1
	20:1	21:1
	24:1	30:1
	36:1	42:1
	48:1	49:1
	64:1	78:1
	96:1	108:1

<sup>1)</sup> If the EC5000 is operated below the rated voltage, a minimal speed reduction must be expected.

## 3.6 Product identification

The following information is required to identify the RollerDrive:

Information	Possible value	Own value
RollerDrive	Motor type	
Rating plate	Gear ratio Serial number Mechanical power Supply voltage Analogue/CAN bus	
UL certified	Yes/no	
Tube diameter	50 mm, 60 mm	
Tube material	Stainless steel Zinc-plated steel	
Tube sleeve	PVC hose 2 mm, 5 mm PU hose 2 mm Rubber coating 2–5 mm Tapered elements 1.8°, 2.2°	
Installation length RollerDrive	Installation length	
Drive element on the non-cable side	PolyVee drive head Round belt: Two grooves Round belt head Toothed belt drive head Sprocket drive head	
Attachment on the non-cable side	Hexagonal spring shaft Female thread attachment Hexagonal spring shaft, conical (See „Drive axle dimensions“ on page 36)	

# Product information

---

## 3.7 Technical specifications

### EC5000 20 W – AI/BI – 24 V DC

Rated voltage	24 V DC, protected extra-low voltage (PELV)
Voltage range	18 to 28 V DC
Rated current	1.2 A/1.4 A <sup>1)</sup>
Starting current	3.0 A <sup>2)</sup>
Switching threshold, signal input 'Rotational direction'	Safe 'High': U >7 V DC Safe 'Low': U <4 V DC
Maximum residual ripple of the power supply	3%
Maximum noise level (mounted)	55 dB(A) <sup>3)</sup>
UL type rating	Type rating 2 (optional)
Ambient temperature in operation	0 °C to +40 °C (32 °F to +104 °F)
Ambient temperature for transport and storage	-30 °C to +75 °C (-22 °F to +167 °F)
Altitude of installation site	Max. 1000 m (3280 ft) <sup>4)</sup>

All data applies for an ambient temperature of 20 °C (68 °F).

From 25 °C (77 °F), a derating factor must be taken into account.

- <sup>1)</sup> Higher rated current at gear ratios of 78:1 and 108:1 (three-stage rather than two-stage gear)
- <sup>2)</sup> The actual current course is dependent on the circumstances of the application, such as conveyor weight, number of connected rollers, etc.
- <sup>3)</sup> The value can vary depending on the installation condition, profile shapes and system resonance behaviour.
- <sup>4)</sup> Estimated derating: 5% from 1500 m (4920 ft), 10% from 2000 m (6560 ft).



For use in Pollution Degree 3 and Overvoltage Category II environments only.



## EC5000 35 W – AI/BI – 24 V DC

Rated voltage	24 V DC, protected extra-low voltage (PELV)
Voltage range	18 to 28 V DC
Rated current	2.2 A/2.4 A <sup>1)</sup>
Starting current	5.5 A <sup>2)</sup>
Switching threshold, signal input 'Rotational direction'	Safe 'High': U >7 V DC Safe 'Low': U <4 V DC
Maximum residual ripple of the power supply	3%
Maximum noise level (mounted)	55 dB(A) <sup>3)</sup>
UL type rating	Type rating 2 (optional)
Ambient temperature in operation	0 °C to +40 °C (32 °F to +104 °F) 30:1, 42:1, 49:1 = -30 °C to +40 °C (-22 °F to +104 °F)
Ambient temperature for transport and storage	-30 °C to +75 °C (-22 °F to +167 °F)
Altitude of installation site	Max. 1000 m (3280 ft) <sup>4)</sup>

All data applies for an ambient temperature of 20 °C (68 °F).

From 25 °C (77 °F), a derating factor must be taken into account.

- <sup>1)</sup> Higher rated current at gear ratios of 78:1 and 108:1 (three-stage rather than two-stage gear)
- <sup>2)</sup> The actual current course is dependent on the circumstances of the application, such as conveyor weight, number of connected rollers, etc.
- <sup>3)</sup> The value can vary depending on the installation condition, profile shapes and system resonance behaviour.
- <sup>4)</sup> Estimated derating: 5% from 1500 m (4920 ft), 10% from 2000 m (6560 ft).



For use in Pollution Degree 3 and Overvoltage Category II environments only.

# Product information

## EC5000 50 W – AI/BI – 24 V DC

Rated voltage	24 V DC, protected extra-low voltage (PELV)
Voltage range	18 to 28 V DC
Rated current	3.0 A/3.4 A <sup>1)</sup>
Starting current	7.5 A <sup>2)</sup>
Switching threshold, signal input 'Rotational direction'	Safe 'High': U >7 V DC Safe 'Low': U <4 V DC
Maximum residual ripple of the power supply	3%
Maximum noise level (mounted)	55 dB(A) <sup>3)</sup>
UL type rating	Type rating 2 (optional)
Ambient temperature in operation	-30 °C to +40 °C (-22 °F to +104 °F)
Ambient temperature for transport and storage	-30 °C to +75 °C (-22 °F to +167 °F)
Altitude of installation site	Max. 1000 m (3280 ft) <sup>4)</sup>

All data applies for an ambient temperature of 20 °C (68 °F).

From 25 °C (77 °F), a derating factor must be taken into account.

- <sup>1)</sup> Higher rated current at gear ratios of 78:1 and 108:1 (three-stage rather than two-stage gear)
- <sup>2)</sup> The actual current course is dependent on the circumstances of the application, such as conveyor weight, number of connected rollers, etc.
- <sup>3)</sup> The value can vary depending on the installation condition, profile shapes and system resonance behaviour.
- <sup>4)</sup> Estimated derating: 5% from 1500 m (4920 ft), 10% from 2000 m (6560 ft).



For use in Pollution Degree 3 and Overvoltage Category II environments only.

### EC5000 20 W – AI/BI – 48 V DC

Rated voltage	48 V DC, protected extra-low voltage (PELV)
Voltage range	36 to 56 V DC
Rated current	0.6 A/0.7 A <sup>1)</sup>
Starting current	1.5 A <sup>2)</sup>
Switching threshold, signal input 'Rotational direction'	Safe 'High': U >7 V DC Safe 'Low': U <4 V DC
Maximum residual ripple of the power supply	3%
Maximum noise level (mounted)	55 dB(A) <sup>3)</sup>
UL type rating	Type rating 2 (optional)
Ambient temperature in operation	0 °C to +40 °C (32 °F to +104 °F)
Ambient temperature for transport and storage	-30 °C to +75 °C (-22 °F to +167 °F)
Altitude of installation site	Max. 1000 m (3280 ft) <sup>4)</sup>

All data applies for an ambient temperature of 20 °C (68 °F).

From 25 °C (77 °F), a derating factor must be taken into account.

<sup>1)</sup> Higher rated current at gear ratios of 78:1 and 108:1 (three-stage rather than two-stage gear)

<sup>2)</sup> The actual current course is dependent on the circumstances of the application, such as conveyor weight, number of connected rollers, etc.

<sup>3)</sup> The value can vary depending on the installation condition, profile shapes and system resonance behaviour.

<sup>4)</sup> Estimated derating: 5% from 1500 m (4920 ft), 10% from 2000 m (6560 ft).



For use in Pollution Degree 3 and Overvoltage Category II environments only.

# Product information

## EC5000 35 W – AI/BI – 48 V DC

Rated voltage	48 V DC, protected extra-low voltage (PELV)
Voltage range	36 to 56 V DC
Rated current	1.1 A/1.2 A <sup>1)</sup>
Starting current	2.8 A <sup>2)</sup>
Switching threshold, signal input 'Rotational direction'	Safe 'High': U >7 V DC Safe 'Low': U <4 V DC
Maximum residual ripple of the power supply	3%
Maximum noise level (mounted)	55 dB(A) <sup>3)</sup>
UL type rating	Type rating 2 (optional)
Ambient temperature in operation	0 °C to +40 °C (32 °F to +104 °F) 30:1, 42:1, 49:1 = -30 °C to +40 °C (-22 °F to +104 °F)
Ambient temperature for transport and storage	-30 °C to +75 °C (-22 °F to +167 °F)
Altitude of installation site	Max. 1000 m (3280 ft) <sup>4)</sup>

All data applies for an ambient temperature of 20 °C (68 °F).

From 25 °C (77 °F), a derating factor must be taken into account.

- <sup>1)</sup> Higher rated current at gear ratios of 78:1 and 108:1 (three-stage rather than two-stage gear)
- <sup>2)</sup> The actual current course is dependent on the circumstances of the application, such as conveyor weight, number of connected rollers, etc.
- <sup>3)</sup> The value can vary depending on the installation condition, profile shapes and system resonance behaviour.
- <sup>4)</sup> Estimated derating: 5% from 1500 m (4920 ft), 10% from 2000 m (6560 ft).



For use in Pollution Degree 3 and Overvoltage Category II environments only.

## EC5000 50 W – AI/BI – 48 V DC

Rated voltage	48 V DC, protected extra-low voltage (PELV)
Voltage range	36 to 56 V DC
Rated current	1.5 A/1.7 A <sup>1)</sup>
Starting current	3.8 A <sup>2)</sup>
Switching threshold, signal input 'Rotational direction'	Safe 'High': U >7 V DC Safe 'Low': U <4 V DC
Maximum residual ripple of the power supply	3%
Maximum noise level (mounted)	55 dB(A) <sup>3)</sup>
UL type rating	Type rating 2 (optional)
Ambient temperature in operation	-30 °C to +40 °C (-22 °F to +104 °F)
Ambient temperature for transport and storage	-30 °C to +75 °C (-22 °F to +167 °F)
Altitude of installation site	Max. 1000 m (3280 ft) <sup>4)</sup>

All data applies for an ambient temperature of 20 °C (68 °F).

From 25 °C (77 °F), a derating factor must be taken into account.

<sup>1)</sup> Higher rated current at gear ratios of 78:1 and 108:1 (three-stage rather than two-stage gear)

<sup>2)</sup> The actual current course is dependent on the circumstances of the application, such as conveyor weight, number of connected rollers, etc.

<sup>3)</sup> The value can vary depending on the installation condition, profile shapes and system resonance behaviour.

<sup>4)</sup> Estimated derating: 5% from 1500 m (4920 ft), 10% from 2000 m (6560 ft).



For use in Pollution Degree 3 and Overvoltage Category II environments only.

# Product information

---

## 3.8 Performance data

### Explanation of terms

#### Rated torque

Torque that the RollerDrive can deliver at an ambient temperature of 20 °C (68 °F) and at the rated speed during continuous operation.

#### Acceleration torque

Torque available to the RollerDrive during operation to counteract a load.

Acceleration torque = rated torque x 2.5.

The acceleration torque cannot be greater than 13 Nm.

#### Holding torque (zero motion hold)

Holding torque = Acceleration torque.

#### Breakaway torque

The breakaway torque is available at a motor speed of <350 rpm and a motor temperature of <70°C (158 °F).

The breakaway torque is available in the frequency  $1 \text{ s} - 4 \times M_{\text{Rated}}/2 \text{ s} - 2.5 \times M_{\text{Rated}}$ .

The breakaway torque cannot be greater than 13 Nm.

## EC5000 20 W – 24 V DC/48 V DC

Gear ratio	Conveyor speed 50 mm roller [m/s]		Rated torque [Nm] <sup>1)</sup>	Acceleration torque [Nm] <sup>1)</sup>	Holding torque [Nm] <sup>1)</sup>	Breakaway torque [Nm] <sup>1)</sup>
	Max.	Min.				
9:1	2.01	0.09 <sup>2)</sup>	0.25	0.63	0.63	1.01
13:1	1.39	0.06 <sup>2)</sup>	0.36	0.91	0.91	1.46
18:1	1.00	0.04 <sup>2)</sup>	0.50	1.26	1.26	2.02
21:1	0.86	0.04 <sup>2)</sup>	0.59	1.47	1.47	2.36
30:1	0.60	0.03 <sup>2)</sup>	0.85	2.13	2.13	3.40
42:1	0.43	0.02 <sup>2)</sup>	1.18	2.95	2.95	4.71
49:1	0.37	0.02 <sup>2)</sup>	1.37	3.44	3.44	5.50
78:1	0.23	0.01 <sup>2)</sup>	2.02	5.43	5.43	8.68
108:1	0.17	0.01 <sup>2)</sup>	2.82	7.57	7.57	12.12

## EC5000 35 W – 24 V DC/48 V DC

Gear ratio	Conveyor speed 50 mm roller [m/s]		Rated torque [Nm] <sup>1)</sup>	Acceleration torque [Nm] <sup>1)</sup>	Holding torque [Nm] <sup>1)</sup>	Breakaway torque [Nm] <sup>1)</sup>
	Max.	Min.				
9:1	2.01	0.09 <sup>2)</sup>	0.44	1.11	1.11	1.77
13:1	1.39	0.06 <sup>2)</sup>	0.64	1.60	1.60	2.56
18:1	1.00	0.04 <sup>2)</sup>	0.89	2.22	2.22	3.55
21:1	0.86	0.04 <sup>2)</sup>	1.04	2.59	2.59	4.14
30:1	0.60	0.03 <sup>2)</sup>	1.49	3.74	3.74	5.98
42:1	0.43	0.02 <sup>2)</sup>	2.07	5.18	5.18	8.28
49:1	0.37	0.02 <sup>2)</sup>	2.42	6.04	6.04	9.66
78:1	0.23	0.01 <sup>2)</sup>	3.55	9.54	9.54	13.00
108:1	0.17	0.01 <sup>2)</sup>	4.95	13.00	13.00	13.00

All data applies for an ambient temperature of 20 °C (68 °F).

<sup>1)</sup> Before the run-in, the values can vary by up to  $\pm 20\%$ . After the run-in phase, the values for 95% of all RollerDrives used vary only in the range of  $\pm 10\%$ .

<sup>2)</sup> Due to tolerances and/or voltage drop on cables, it is possible that the RollerDrive does not turn. In this case, increase the setpoint.

## Product information

### EC5000 50 W – 24 V DC/48 V DC

Gear ratio	Conveyor speed 50 mm roller [m/s]		Rated torque [Nm] <sup>1)</sup>	Acceleration torque [Nm] <sup>1)</sup>	Holding torque [Nm] <sup>1)</sup>	Breakaway torque [Nm] <sup>1)</sup>
	Max.	Min.				
9:1	2.01	0.09 <sup>2)</sup>	0.63	1.58	1.58	2.54
13:1	1.39	0.06 <sup>2)</sup>	0.91	2.29	2.29	3.66
18:1	1.00	0.04 <sup>2)</sup>	1.27	3.17	3.17	5.07
21:1	0.86	0.04 <sup>2)</sup>	1.48	3.70	3.70	5.92
30:1	0.60	0.03 <sup>2)</sup>	2.13	5.34	5.34	8.54
42:1	0.43	0.02 <sup>2)</sup>	2.96	7.40	7.40	11.83
49:1	0.37	0.02 <sup>2)</sup>	3.45	8.63	8.63	13.00
78:1	0.23	0.01 <sup>2)</sup>	5.07	13.00	13.00	13.00
108:1	0.17	0.01 <sup>2)</sup>	7.07	13.00	13.00	13.00

Gear ratio	Conveyor speed 60 mm roller [m/s]		Rated torque [Nm] <sup>1)</sup>	Acceleration torque [Nm] <sup>1)</sup>	Holding torque [Nm] <sup>1)</sup>	Breakaway torque [Nm] <sup>1)</sup>
	Max.	Min.				
9:1	2.41	0.12 <sup>2)</sup>	0.63	1.58	1.58	2.54
13:1	1.67	0.09 <sup>2)</sup>	0.91	2.29	2.29	3.66
18:1	1.20	0.06 <sup>2)</sup>	1.27	3.17	3.17	5.07
21:1	1.03	0.05 <sup>2)</sup>	1.48	3.70	3.70	5.92
30:1	0.72	0.03 <sup>2)</sup>	2.13	5.34	5.34	8.54
42:1	0.52	0.03 <sup>2)</sup>	2.96	7.40	7.40	11.83
49:1	0.44	0.03 <sup>2)</sup>	3.45	8.63	8.63	13.00
78:1	0.28	0.01 <sup>2)</sup>	5.07	13.00	13.00	13.00
108:1	0.20	0.01 <sup>2)</sup>	7.07	13.00	13.00	13.00

All data applies for an ambient temperature of 20 °C (68 °F).

<sup>1)</sup> Before the run-in, the values can vary by up to  $\pm 20\%$ . After the run-in phase, the values for 95% of all RollerDrives used vary only in the range of  $\pm 10\%$ .

<sup>2)</sup> Due to tolerances and/or voltage drop on cables, it is possible that the RollerDrive does not turn. In this case, increase the setpoint.



## 3.9 Control systems for the RollerDrive EC5000

Interroll recommends that the RollerDrive EC5000 is operated in conjunction with the different Interroll control systems:

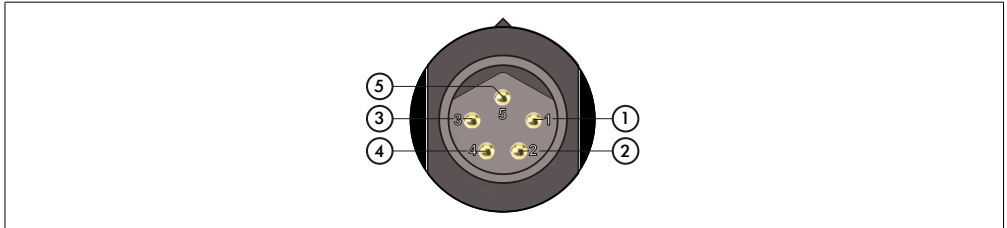
Control system	Analogue interface						Bus interface					
	24 V			48 V			24 V			48 V		
	20 W	35 W	50 W	20 W	35 W	50 W	20 W	35 W	50 W	20 W	35 W	50 W
DriveControl 20/DriveControl 54	X	X										
DriveControl 2048	X	X	X	X	X	X						
ZoneControl	X	X										
MultiControl AI	X	X	X	X	X	X						
MultiControl BI							X	X	X	X	X	X



More detailed information on the controls can be found in the corresponding operating manual, in the Interroll DC Platform catalogue or at [www.interroll.com](http://www.interroll.com)

# Product information

## 3.10 RollerDrive connector AI



Pin	Colour	Function	Value
1	Brown	Input of the power supply (+)	Rated voltage: 24 V DC 48 V DC Voltage range: 18 to 28 V DC 36 to 56 V DC
2	White	Input of the rotational direction as seen from the end of the cable of the RollerDrive	'Low' = anti-clockwise 'High' = clockwise
3	Blue	Earth for power supply and signal (-)	Earth
4	Black	Error output	Open collector $U_{CESAT} = 0.5 \text{ V DC at } I_C = 5 \text{ mA}$ $U_{MAX} = 30 \text{ V DC}$ $I_{CMAX} = 5 \text{ mA}$ Error: 'High' signal No error: 'Low' signal
5	Grey	Analogue speed/start signal	See table 'Analogue speed/start signal (pin 5)'

### NOTE

Incorrect connected loads can destroy the RollerDrive.

- Do not attempt to operate a RollerDrive EC5000 24 V DC at 48 V DC. This will destroy the motor electronics.
- Check the colour ring on the motor connector before connecting (see "Colour rings on the connectors" on page 15).

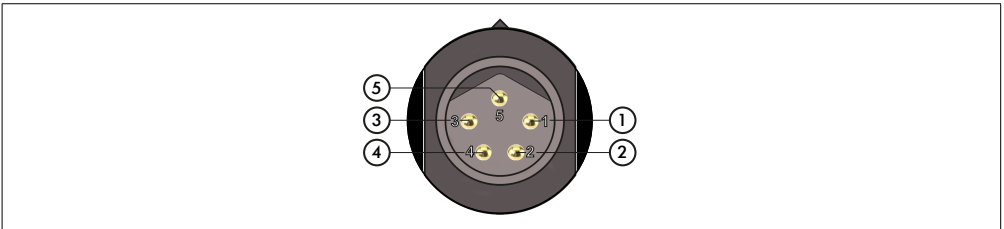
## Analogue speed/start signal (pin 5)

Voltage range	0 to 24 V DC
Stop (zero motion hold)	0 to 2.3 V DC
Speed	2.3 V DC to 10 V DC 2.3 V = Minimum speed = 300 rpm 10 V = Maximum speed = 6900 rpm
Max. speed	10 V DC to 24 V DC



The conveyor speed results from the gear ratio and the voltage rating of the analogue speed signal.

### 3.11 RollerDrive connector BI



Pin	Colour	Function	Value		
1	Brown	Input of the power supply (+)	Rated voltage:	24 V DC	48 V DC
			Voltage range:	18 to 28 V DC	36 to 56 V DC
2	White	CAN High			
3	Blue	Earth for power supply and signal (-)	Earth		
4	Black	CAN Low			
5	Grey	Service manufacturer			

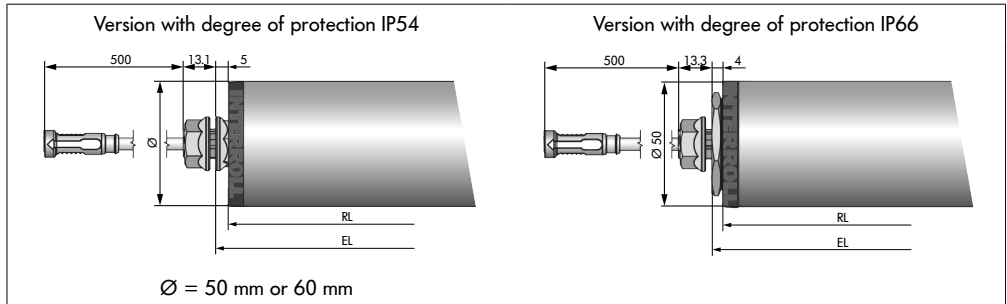
## NOTE

Connecting/disconnecting under voltage can destroy the RollerDrive EC5000 with bus interface

- The RollerDrive EC5000 BI is not hot-plug-compatible. Disconnect the power supply to connect/disconnect the RollerDrive EC5000 BI.

# Product information

## 3.12 Dimensions of the motor shaft

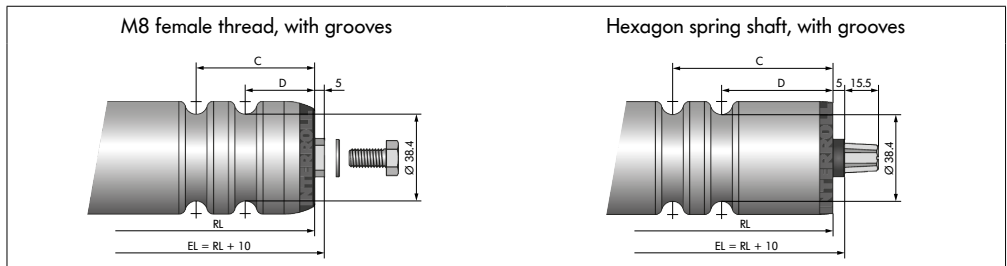
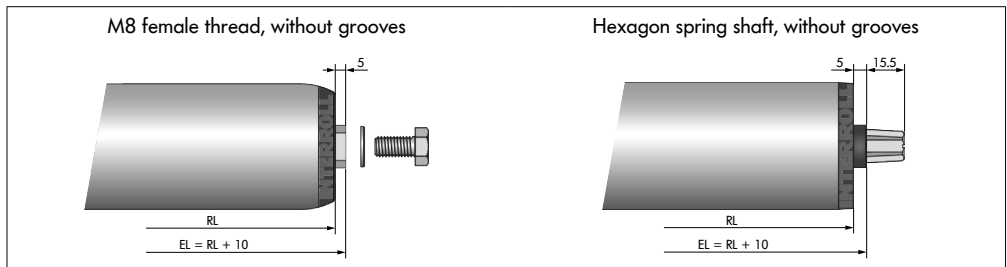


RL = Reference length/order length

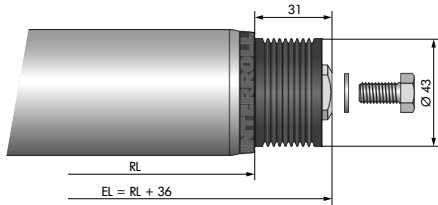
EL = Installation length, clearance between the side profiles

## 3.13 Drive axle dimensions

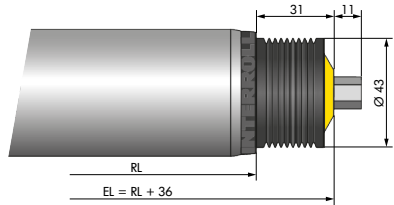
### 50 mm IP54



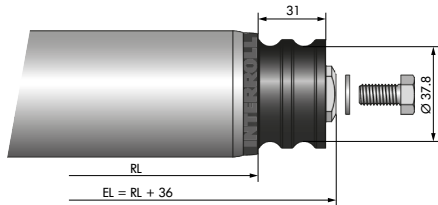
PolyVee drive head with M8 female thread



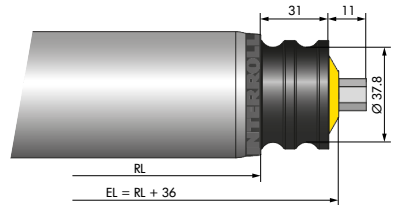
PolyVee drive head with hexagon spring shaft



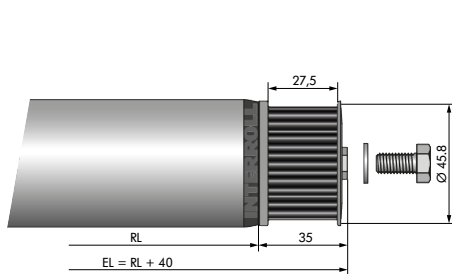
Round belt drive head with M8 female thread



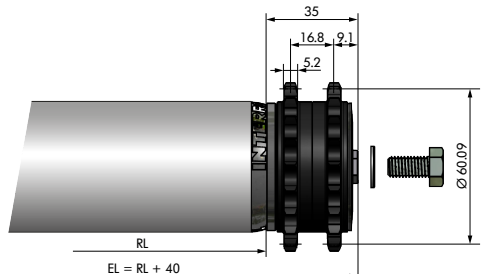
Round belt drive head with hexagon spring shaft



Toothed belt drive head with M8 female thread

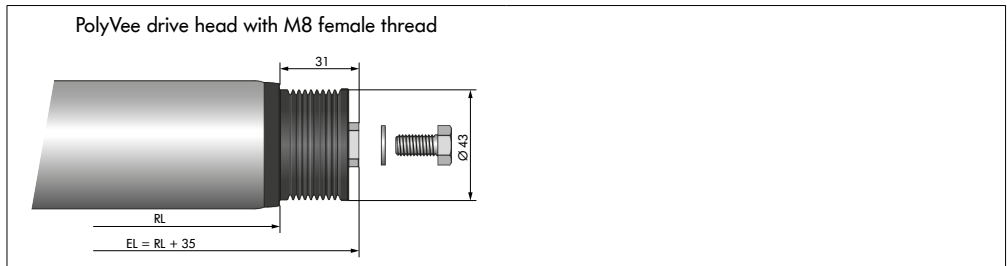
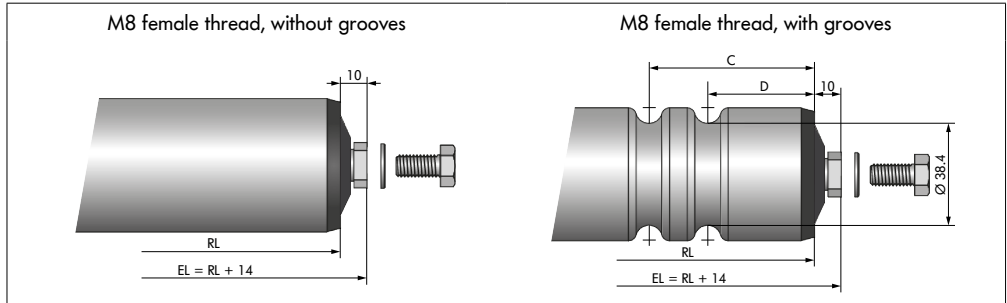


Sprocket drive head with M8 female thread

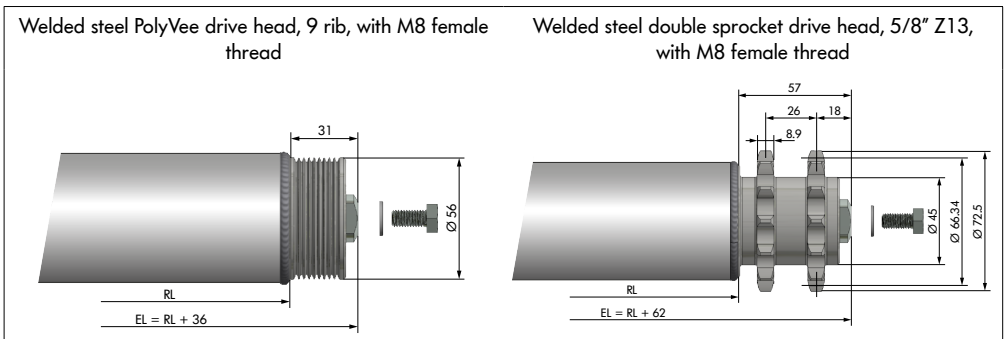
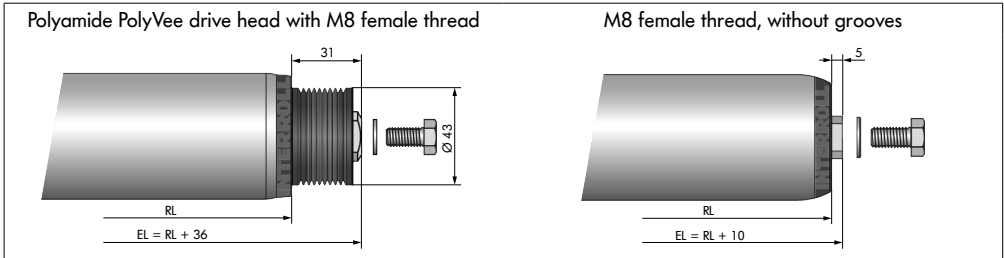


# Product information

## 50 mm IP66



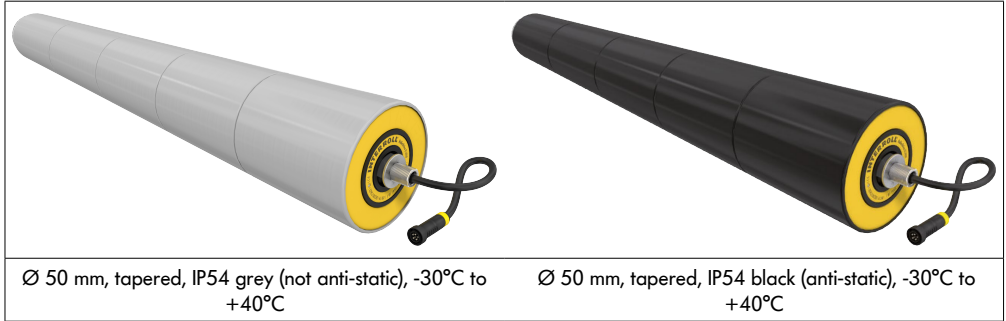
## 60 mm IP54 - only 50 W



We recommend using the steel PolyVee drive head for using four-rib PolyVee belts.

# Product information

## 3.14 Tapered RollerDrive (for curves)

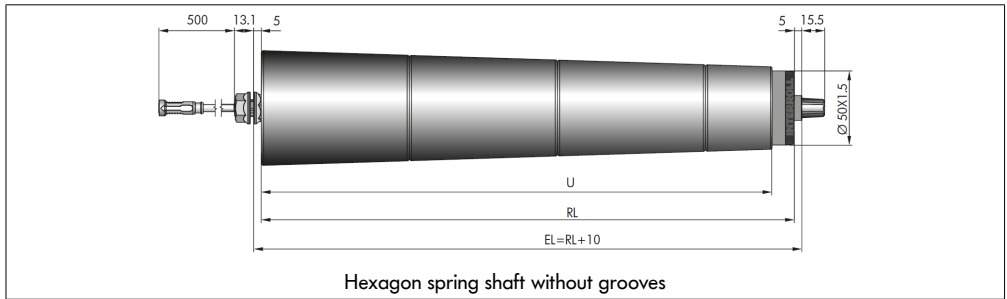


Tapered RollerDrive for deep freezing range -30 °C to 0 °C are exclusively available in 50 W.

RL = Reference length/order length

EL = Installation length, clearance between the side profiles

U = Usable tube length: Length of tapered elements







## Product information

If the tube protrudes over the tapered elements, other reference lengths can be obtained. The specified minimum diameters relate to the smallest diameter of the first tapered element. The reference lengths of 150 mm and 200 mm as well as 950 mm and 1000 mm do not include a protective cap.

Conicity: 1.8°, colour: grey (not anti-static)			Conicity: 1.8°, colour: black (anti-static)		
Tapered nominal length [mm]	Min. Ø [mm]	Max. Ø [mm]	Tapered nominal length [mm]	Min. Ø [mm]	Max. Ø [mm]
150	55.6	64.8	150	55.6	64.8
200	52.5	64.8	200	52.5	64.8
250	55.6	71.2	250	55.6	71.2
300	52.5	71.2	300	52.5	71.2
350	55.6	77.6	350	55.6	77.6
400	52.5	77.6	400	52.5	77.6
450	55.6	84.0	450	55.6	84.0
500	52.5	84.0	500	52.5	84.0
550	55.6	90.4	550	55.6	90.4
600	52.5	90.4	600	52.5	90.4
650	55.6	96.8	650	55.6	96.8
700	52.5	96.8	700	52.5	96.8
750	55.6	103.2	750	55.6	103.2
800	52.5	103.2	800	52.5	103.2
850	55.6	109.9	-	-	-
900	52.5	109.9	-	-	-
950	55.6	116.0	-	-	-
1000	52.5	116.0	-	-	-

Conicity: 2.2°, colour: grey (not anti-static)					
Tapered nominal length [mm]	Min. Ø [mm]	Max. Ø [mm]	Tapered nominal length [mm]	Min. Ø [mm]	Max. Ø [mm]
190	56.0	70.6	440	56.0	89.8
240	56.0	74.4	540	56.0	97.5
290	56.0	78.3	640	56.0	105.2
340	56.0	82.1	740	56.0	112.8

## 4 Transport and storage

### 4.1 Transport



#### CAUTION

Risk of injury from improper transport.

- Transport operations must only be carried out by authorised, qualified personnel.
- 

Please note the following:

- Avoid heavy impacts during transport.
- Check each RollerDrive after transport for any visible damage.
- If any damage has been identified, photograph the damaged parts.
- In the event that damage has been incurred during transport, inform the shipping agent or Interroll immediately to ensure that you do not lose any potential damage claims.
- Do not expose the RollerDrive to any strong fluctuations in temperature, since this can lead to condensation forming.

### 4.2 Storage



#### CAUTION

Risk of injury due to improper storage.

- Ensure that the RollerDrive is stored safely.
- 

Please note the following:

- Do not stack pallets on top of one another.
- Check each RollerDrive after storage for any visible damage.

# Assembly and installation

## 5 Assembly and installation

### 5.1 Warning notices for installation



#### WARNING

Risk of electric shock!

When using the RollerDrive EC5000 48 V DC, it is possible that in generator operation (motor revolution 14,500 RPM<sup>-1</sup>/gear reduction) the permissible contact voltage of 60 V DC at the open connector is exceeded.

- Do not drive unconnected RollerDrive from the outside.



For the RollerDrive EC5000 24 V DC, exceeding the permissible contact voltage is only theoretically possible.



#### CAUTION

Risk of crushing due to rotating parts.

- Do not place your fingers between the RollerDrive and the round belt/PolyVee belt.
- Install protective equipment (Interroll PolyVee finger guard, for example) to prevent fingers from getting caught in the PolyVee belt or round belt.
- Affix suitable warning notices/pictograms to the conveyor.

#### NOTE

An improper approach to installing the RollerDrive can lead to material damage or reduce the service life of the RollerDrive.

- To preserve the interior of the RollerDrive, do not allow the RollerDrive to fall or for it to be used in an improper fashion.
- Check each RollerDrive before assembly for any visible damage.
- To prevent the inner connections from being damaged, do not hold, carry or secure the RollerDrive by the cable.
- Do not use force to insert the RollerDrive into the side profile. It must be inserted gently into the side profile.
- Pay attention to the correct tightening torque of the RollerDrive hexagonal nut to prevent the shaft in the side profile from rotating and the RollerDrive cable from twisting (see „Securing the RollerDrive in the side profile“ on page 47).
- Do not twist the RollerDrive cable.

## 5.2 Installing the RollerDrive

### Installing the attachment shaft

#### NOTE

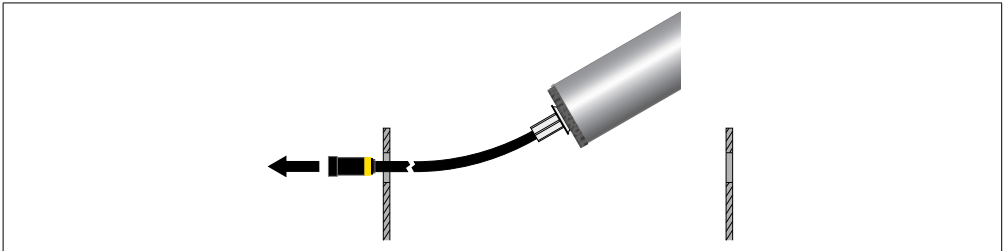
Internal parts of the RollerDrive can be damaged through improper handling.

- Do not fit the fastening nut yet
- Ensure correct equipotential bonding of all metallic elements of the conveyor unit (RollerDrive, side profile, supporting structure and so on). Improper earthing can lead to a build-up of static charge, which can result in a malfunction or premature failure of the RollerDrive and/or the connected control system.
- Remove packaging material and transport protection from the RollerDrive.

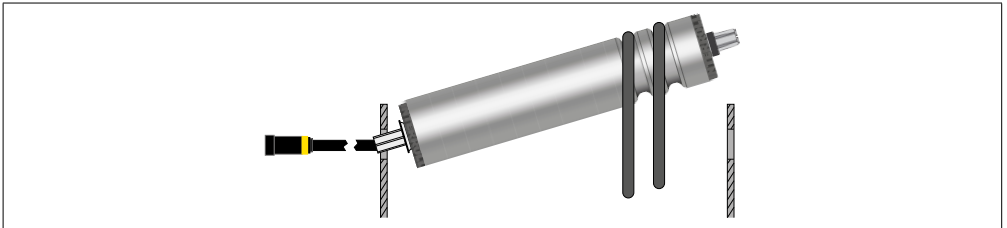


To guarantee safe equipotential bonding of the RollerDrive, the fastening nut must be in direct contact with the metallic surface of the earthed side profile.

- If necessary, remove the coating of the side profile in the area of the fastening nut.
- Insert the RollerDrive cable and attachment shaft into the hex hole provided (min. 11.2 mm) or round hole (min. 12.2 mm) of the side profile.



- Position one or two round belts of 4 mm (max. 5 mm) or PolyVee belts.



# Assembly and installation

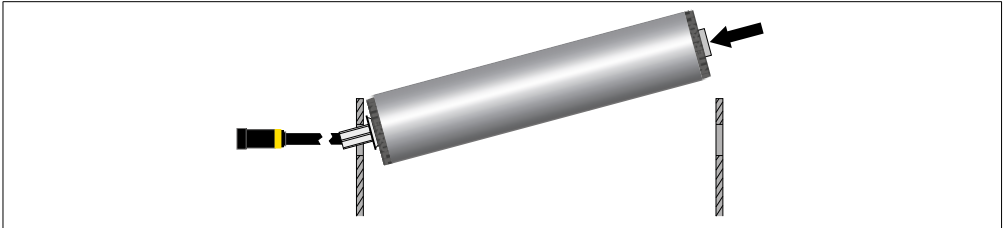
---

## Attaching the non-cable side

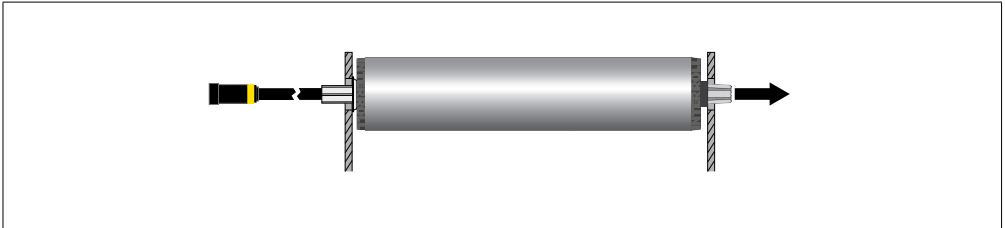
Two examples are provided:

### Inserting the hexagonal spring shaft

- Press the spring shaft inwards and align the shaft so that it corresponds to the opening in the side profile.



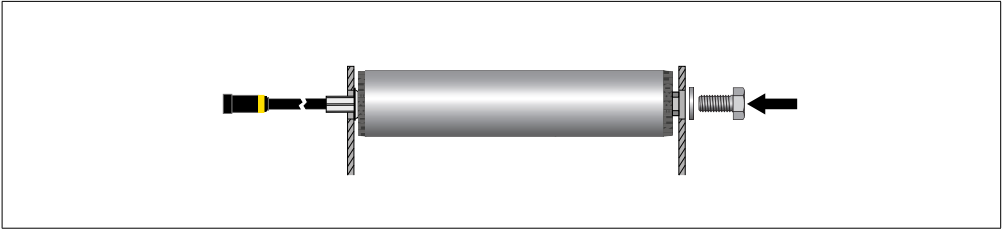
- Release the hexagonal spring shaft so that it springs into the opening of the side profile.



### Inserting the female thread shaft pin

- Place a washer on a M8x20 screw.
- Align the RollerDrive with the opening in the side profile and insert the M8 screw with the washer into the opening. Secure the shaft pin with an open-ended spanner to prevent it from twisting (depending on the version of the shaft pin, the width across flats will be 13 mm or 19 mm).

## Assembly and installation



- Tighten the screw using a torque spanner with a tightening torque of 20 Nm.



If the parts used for attaching the RollerDrive are not the parts that have been supplied by Interroll, it is important to ensure that the attachment is secure enough that it will not twist.

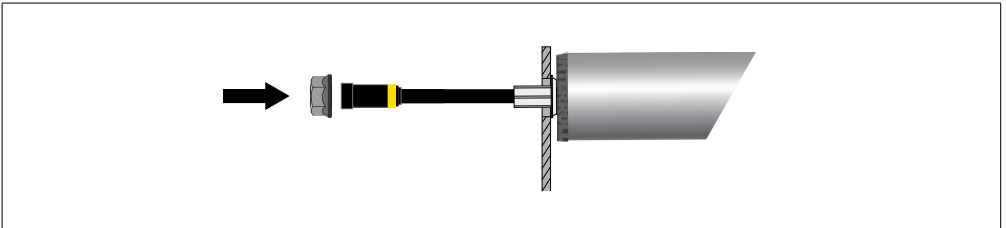
### Securing the RollerDrive in the side profile

A nut is located close to the bearing housing on the attachment shaft. This inner nut is pre-fitted and secured in the correct position.



Do not twist the inner nut.

- Secure the inner nut with a flattened counter ratchet with a 17 mm width across flats (accessory) to prevent it from twisting.
- Slide the nut included in the scope of delivery over the RollerDrive line and screw it onto the attachment shaft.



- Tighten the nut using a torque spanner with a tightening torque of 70 Nm.



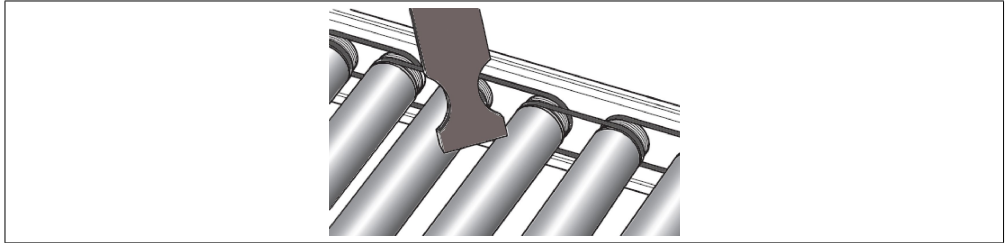
For installing a RollerDrive with tapered elements, the attachment shaft is positioned at an angle of  $1.8^\circ$  or  $2.2^\circ$  to the side profile. To prevent bending forces from acting on the attachment shaft, an appropriate angle compensator must be provided for the attachment. This is not included in the scope of delivery.

# Assembly and installation

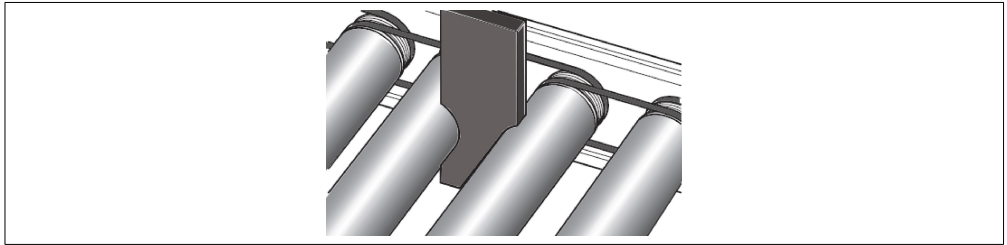
## 5.3 Installation tool (accessory)



For the installation of the PolyVee belt, we recommend using the PolyVee clamping aid, which is available as an accessory.



- Attach the first roller.
- Position the PolyVee clamping aid between the attached roller and the roller/RollerDrive that has not yet been attached.
- Rotate the PolyVee clamping aid by 90° so that the rollers are positioned in the cut-outs intended for them.
- The belt is optimally tensioned and a roller/RollerDrive is properly aligned horizontally and vertically. A female thread attachment is consequently aligned with the attachment hole in the side profile.



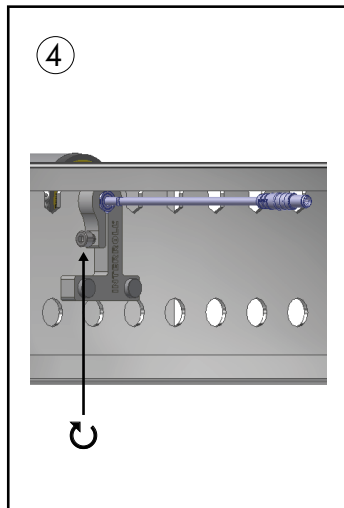
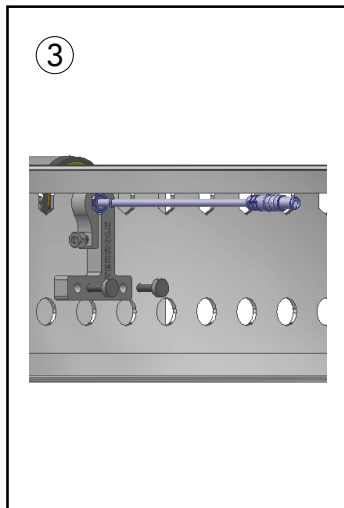
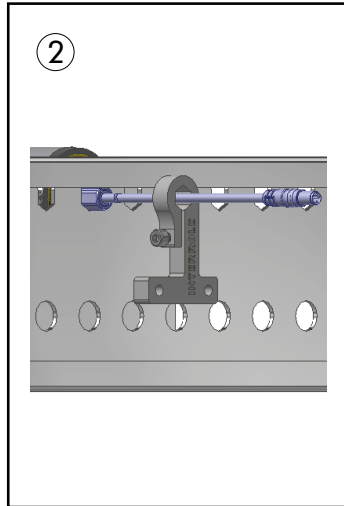
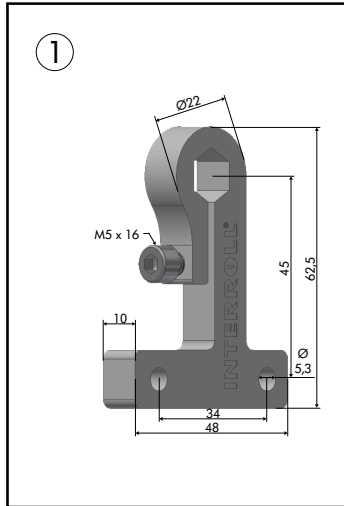
The PolyVee clamping aid is intended for the 75 mm and 100 mm roller pitches and designed for rollers and RollerDrives with a diameter of 50 mm.



# Assembly and installation

## The Interroll Interlock (accessory)

The Interroll Interlock is slipped over the cable of the RollerDrive and attached to the conveyor frame.



# Assembly and installation

## 5.4 Warning notices for electrical installation



### WARNING

Risk of crushing from uncontrolled start-up of the RollerDrive.

- Before connecting the RollerDrive, switch off the power to the conveyor system and ensure that it cannot be unintentionally switched on again.

### NOTE

Possible signal interference in the bus communication!

- When laying the RollerDrive cable/extension cable, pay attention to the laying guidelines! Lay the cables at a sufficient distance from power lines (400 V) and frequency converters and their cables.

## 5.5 Electrical installation

### NOTE

Risk of material damage to the RollerDrive and/or the RollerDrive cables.

- Never operate the RollerDrive with an alternating current (AC), as this can result in irreparable damage to the device.
- Do not expose the RollerDrive connector to excessively high tensile or pressure loads. Bending the RollerDrive cables or sliding the attachment nut on too forcefully can damage the insulation of the cables, which can lead to the failure of the RollerDrive.
- Permissible bending radii: Simple bending 15 mm, multiple bending 50 mm.

### UL / CSA Safety Information

- For use in NFPA 79 Applications only!
- EC5000 24V DC:  
Suitable for use on a circuit capable of delivering not more than 200 rms symmetrical amperes, 24 volts maximum.
- EC5000 48V DC:  
Suitable for use on a circuit capable of delivering not more than 125 rms symmetrical amperes, 48 volts maximum.  
When protected by a circuit breaker having an interrupting rating not less than 35 rms symmetrical amperes, 480 VAC volts maximum.
- Integral solid state short circuit protection does not provide branch circuit protection. Branch circuit protection must be provided in accordance with the National Electrical Code and any additional local codes resp. with the Canadian Electrical Code, Part I.
- Internal Overload Protection Operates prior to reaching the 130% of the Motor Full Load Current.
- Motor overtemperature sensing is required.

## Conditions of Acceptability

- The supply connector is suitable factory wiring only.
- Short Circuit and Breakdown of Component testing was conducted at uncalibrated mains (less than 5kA), using the power supply Cat. no. PSI 9080-200 (rated max. 80 V, max. 200 A and max. 6 kW) manufactured by EPS. The acceptability is to be judged in the end use.
- These devices shall be installed on the load side of power supply Cat. no. PSI 9080-200 manufactured by EPS and one of the following:
  - A. Supplemental type fuse, (E10480.JDYX/2/8) Cat. No. 452, by Littlefuse Inc (rated 5 A, 125 Vdc; I.R. 50 A, 60 Vdc or rated 7 A, 75 Vdc; I.R. 50 A, 60 Vdc)
  - or
  - B. Multi Control Interface, Model 1103563 (A1) or Model 1103564 (B1) made by Interroll Engineering GmbH (E496888).
- These devices have been evaluated in accordance with UL 50/50E and comply with the requirements for an enclosure Type Rating 2.



We recommend using the Interroll High Performance power supply unit HP5424 or HP5448 (24 V DC/48 V DC)

## Installation

- Connect the RollerDrive connector to the corresponding connection of the Interroll control system.



If no Interroll control system is used, an adapter cable must be used to connect the RollerDrive to the control system (for pin assignment, see „RollerDrive connector A1“ on page 34/35). Cutting off the RollerDrive connector will void the warranty!

When using an extension cable to connect the RollerDrive, a max. length of 10 m must not be exceeded.

# Start-up and operation

---

## 6 Start-up and operation

### 6.1 Warning notices for start-up and operation



#### WARNING

Risk of crushing and potential hazards from rotating parts due to uncontrolled start-up of the RollerDrive.

- Do not reach between RollerDrive and drive media with your fingers.
- Do not remove the protective equipment.
- Keep fingers, hair and loose clothing away from the RollerDrive.

#### NOTE

Possible damage to the RollerDrive through induction.

- Do not slide any objects over the roller conveyor by hand.
- Do not turn the RollerDrive by hand.

### 6.2 Start-up

#### Check before the initial start-up

- Ensure that there are no points of contact between objects and rotating/moving parts.
- Ensure that all screws have been tightened according to the specifications.
- Ensure that no additional hazards are formed through the interfaces to other components.
- Ensure that the wiring conforms to specifications and legal provisions.
- Ensure that no persons are in the hazardous areas by the conveyor system.
- Check all protective equipment.



Information on start-up can be found in the operating manual for the Interroll control system or motor control system that is used.

## 6.3 Operation

### Check before every start-up

- Ensure that no persons are in the hazardous areas by the conveyor system.
- Ensure that the RollerDrive is not jammed.
- Check the RollerDrive for any visible damage.
- Check all protective equipment.
- Specify in detail how the material to be conveyed should be set down on the conveyor and monitor this to ensure it is carried out correctly.



Take the ambient conditions into account during operation (see „Technical specifications“ on page 24).

## 6.4 Procedure in the event of accidents or faults

- Stop the conveyor system immediately, switch off the power supply and ensure that it cannot be unintentionally switched on again.
- In the event of an accident: Perform first aid and call for the emergency services.
- Inform the relevant supervisor.
- Have specialist personnel rectify the fault.
- Only resume operating the conveyor system once this has been approved by the specialist personnel.

# Maintenance and cleaning

---

## 7 Maintenance and cleaning



### WARNING

Risk of injury from following incorrect procedure.

- Maintenance and repair work must only be carried out by authorised and trained (specialist) personnel.
  - Maintenance and repair work must only be carried out when the system has been disconnected from the power supply. Switch off the power to the RollerDrive and ensure that it cannot be unintentionally switched on again.
  - Put up signs to indicate that maintenance or cleaning work is being carried out.
- 

### 7.1 Maintenance



### WARNING

Risk of injury due to uncontrolled movements!

Damage to the RollerDrive cable can lead to uncontrolled behaviour (start-up, wrong direction of rotation and so on)!

- Check RollerDrive cable/extension cable weekly for visible damage.
- 

### Checking the RollerDrive

If the RollerDrive is not secured according to the installation instructions (see „Installing the RollerDrive“ on page 45), it may rotate in the side profile. This means that the RollerDrive cable may twist and become damaged.

- One month after the RollerDrive has been installed, check to ensure it is still firmly seated in the side profile and tighten it with a torque spanner if necessary.
- Check the RollerDrive every month for any visible damage.
- Once a year, ensure that the shaft of the RollerDrive is still correctly secured in the side profile.

### Replacing the RollerDrive

If a RollerDrive is damaged or defective, it must be replaced.



Do not attempt to open the RollerDrive!

- Install a new RollerDrive (see „Decommissioning“ on page 56 and „Installing the RollerDrive“ on page 45).

## 7.2 Cleaning

- Remove any foreign bodies and coarse impurities from the surface of the roller.
- Minor impurities can be removed using a damp cloth.
- Do not use any sharp-edged tools to clean the RollerDrive.

## 8 Assistance in the event of faults



### WARNING

Risk of injury from following incorrect procedure.

- Troubleshooting must only be carried out by authorised, qualified personnel.
- Troubleshooting must only be carried out when the system has been disconnected from the power supply.
- Switch off the power to the RollerDrive and ensure that it cannot be unintentionally switched on again.

### 8.1 Troubleshooting

Fault	Possible cause	Remedy
RollerDrive does not run.	No/wrong supply voltage.	Check the 24 V DC/48 V DC power supply.
	RollerDrive connector is not connected correctly.	Check the cable connection.
	Wrong interface selection AI/BI	Connect correct RollerDrive
RollerDrive turns in the wrong direction or at the wrong speed.	Settings for speed and rotational direction are incorrect.	Change the settings for the Interroll control system.
	Incorrect voltage set point for rotational speed, should the RollerDrive not be operated with an Interroll control system.	Check the voltage set point.
Unusual noises can be heard from the RollerDrive.	Motor or gears are damaged.	Replace the RollerDrive.
Operation of the RollerDrive is interrupted.	RollerDrive cable is damaged.	Check the RollerDrive cable for damage. If the cable is defective, replace the RollerDrive.
	RollerDrive is overloaded.	See „Overload protection“ on page 16.

# Decommissioning and disposal

---

## 9 Decommissioning and disposal



### CAUTION

Risk of injury from following incorrect procedure.

- Decommissioning must only be carried out by authorised, qualified personnel.
- Only decommission the RollerDrive when the system has been disconnected from the power supply.
- Switch off the power to the RollerDrive and ensure that it cannot be unintentionally switched on again.

### 9.1 Decommissioning

- Disconnect the RollerDrive cable from the control system.
- Remove the outer nut from the motor shaft.
- If the RollerDrive is fitted with an female thread shaft pin, remove the screw on the shaft.
- Remove the RollerDrive from the side profile.

### 9.2 Disposal



In principle, the operator is responsible for the professional and environmentally friendly disposal of the products.

The implementation of the WEEE Directive 2012/19/EU in national laws must be observed.

Alternatively, Interroll offers to take back the products.

Contact:

[de10\\_customerservice@interroll.com](mailto:de10_customerservice@interroll.com)



## 10 Appendix

### 10.1 Accessories

#### Interroll control systems

Product	Product number
MultiControl AI	S-1103563
MultiControl BI	S-1103564

#### Interroll High Performance power supply unit

Product	Product number
HP5424	S-1113899
HP5448	S-1113900

#### RollerDrive extension cable

Product	Product number
Extension cable EC5000 (2 m)	S-1113897

# Appendix

---

## PolyVee belt

Number of ribs	Roller pitches +/-1 mm	Max. weight of material to be conveyed (kg)	Product number	Belt designation
2	60	50	S-1111211	256
2	75		S-1111217	286
2	90		S-1111220	314
2	100		S-1111222	336
2	120		S-1111224	376
3	60	300	S-1111216	256
3	75		S-1111219	286
3	90		S-1111221	314
3	100		S-1111223	336
3	120		S-1111225	376

## PolyVee clamping aid

Product	Product number
PolyVee clamping aid	S-1101272

## PolyVee finger guard (50 mm roller only)

Product	Product number
Roller pitch 75 mm	S-8863
Roller pitch 100 mm	S-8864

## Tool

Product	Product number
Attachment nut	S-1101248
Counter ratchet width across flats 13 mm/17 mm	S-1132933
Interlock	S-1120484

## 10.2 Translation of the original Declaration of Conformity

### EU Declaration of conformity

EMC Directive 2014/30/EU

RoHS Directive 2011/65/EU

#### The manufacturer

Interroll Engineering GmbH  
Höferhof 16  
42929 Wermelskirchen, Germany  
Germany

hereby declares that the 'incomplete machine'

- **RollerDrive EC5000**

**conforms to the applicable provisions and the associated CE marking in accordance with the aforementioned directives.**

List of the coordinated standards that have been applied:

EN ISO 12100:2010

EN 61800-3:2004 + A1:2012

EN IEC 63000:2018

### Declaration of incorporation

EC Machinery Directive 2006/42/EC

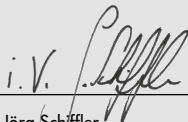
In addition to the information specified above, the manufacturer declares that:

The health and safety requirements have been applied in accordance with Annex I (1.1.2, 1.1.3, 1.1.5, 1.2.6, 1.3.7, 1.3.8, 1.5.1, 1.5.2, 1.5.4, 1.5.8, 1.5.9, 1.5.10, 1.5.11, 1.6.1, 1.6.3, 1.7.2, 1.7.3, 1.7.4). The relevant technical documentation has been compiled in accordance with Annex VII B and has been passed on to the relevant authorities where applicable.

**The commissioning of the incomplete machine is prohibited until the conformity of the overall machine/system in which it is installed with the EC Machinery Directive has been declared.**

Authorised for compiling technical documentation:

Interroll Engineering GmbH, Höferhof 16, 42929 Wermelskirchen, Germany



---

Jörg Schiffler  
Product Compliance Officer Interroll Engineering GmbH  
Wermelskirchen, Germany, 24 January 2019

# Appendix

## 10.3 UL Certificate of Compliance

### CERTIFICATE OF COMPLIANCE

Certificate Number 20190517-E363683  
Report Reference E363683-20190509  
Issue Date 2019-MAY-17

Issued to: Interroll Engineering GmbH  
Hoeferhof 16  
42929 Wermelskirchen GERMANY

This certificate confirms that representative samples of COMPONENT - POWER CONVERSION EQUIPMENT  
See Addendum Page for Models

⊕ Have been investigated by UL in accordance with the component requirements in the Standard(s) indicated on this Certificate. UL Recognized components are incomplete in certain constructional features or restricted in performance capabilities and are intended for installation in complete equipment submitted for investigation to UL LLC.

Standard(s) for Safety: UL 61800-5-1, Adjustable Speed Electrical Power Drive Systems - Part 5-1: Safety Requirements - Electrical, Thermal and Energy.  
CAN/CSA C22.2 No. 274-17, Adjustable Speed Drives.

Additional Information: See the UL Online Certifications Directory at <https://iq.ulprospector.com> for additional information.

This *Certificate of Compliance* does not provide authorization to apply the UL Recognized Component Mark. Only the UL Follow-Up Services Procedure provides authorization to apply the UL Mark.

Only those products bearing the UL Recognized Component Mark should be considered as being UL Certified and covered under UL's Follow-Up Services.

Look for the UL Recognized Component Mark on the product.



Bruce Mehrwitz, Director North American Certification Program  
UL LLC

Any information and documentation involving UL Mark services are provided on behalf of UL LLC (UL) or any authorized licensee of UL. For questions, please contact a local UL Customer Service Representative at <http://ul.com/about/locations>





---

## **Adresse du fabricant**

Europe:

Interroll Engineering GmbH  
Höferhof 16  
D-42929 Wermelskirchen  
Tel. +49 2193 23 0  
Fax +49 2193 2022  
www.interroll.com

USA / Canada:

Interroll Corporation  
3000 Corporate Drive  
USA - Wilmington, NC 28405  
Tel. +1 (910) 799 1100  
Toll Free (800) 830 9680  
www.interroll.us

Asia:

Interroll (Suzhou) Co. Ltd.  
NO. 16 Huiyu Road  
Suzhou Industrial Park  
Jiangsu Province, P.R.China  
Zip code:215126  
www.interroll.com

## **Contenu**

Nous nous efforçons d'assurer l'exactitude, la rapidité et l'exhaustivité des informations et avons soigneusement préparé le contenu de ce document. Indépendamment de cela, les erreurs et les changements sont expressément réservés.

## **Droit d'auteur / protection de la propriété industrielle**

Les textes, images, graphiques et autres éléments semblables, ainsi que leur disposition, sont régis par la protection des droits d'auteur et d'autres lois de protection. Toute forme de reproduction, de modification, de transmission ou de publication partielle ou entière de ce document est interdite.

Ce document est destiné exclusivement à donner des informations et à l'opération selon les dispositions et ne justifie aucune imitation des produits concernés.

Tous les signes contenus dans ce document (marques protégées, comme des logos et des désignations commerciales) sont la propriété de Interroll Holding AG, CH ou de tiers et ne doivent pas être utilisés, copiés ou distribués sans autorisation écrite et préalable.

Version online - convient uniquement pour l'impression couleur!

---

<b>1</b>	<b>À propos du présent document</b>	<b>67</b>
1.1	Informations sur cette notice d'utilisation	67
1.2	Avertissements dans ce document	68
1.3	Symboles	69
<b>2</b>	<b>Informations concernant la sécurité</b>	<b>70</b>
2.1	État de la technique	70
2.2	Utilisation conforme aux dispositions	70
	Domaine d'application	70
2.3	Utilisation contraire aux dispositions	71
2.4	Qualification du personnel	71
2.5	Dangers	72
	Dommages physiques	72
	Électricité	72
	Pièces rotatives	72
	Chaleur	72
	Environnement de travail	72
	Pannes de fonctionnement	72
	Maintenance	73
	Démarrage involontaire	73
2.6	Interface avec d'autres appareils	73
2.7	Modes/phases de fonctionnement	73
	Fonctionnement normal	73
	Fonctionnement spécial	73
2.8	Documentation en vigueur	74
<b>3</b>	<b>Informations produit</b>	<b>75</b>
3.1	Composants	75
	Anneaux de couleur sur les prises	75
3.2	Description du produit	76
	Protection contre la surcharge	76
3.3	RollerDrive EC5000 BI avec bus CAN	78
	Témoin lumineux de durée de vie	78
	Témoin lumineux d'état	79
	Modes de fonctionnement divers	80
3.4	Plaque signalétique	81
3.5	RollerDrive EC5000 en tant que remplacement du RollerDrive EC310	82
3.6	Identification du produit	83

# Contenu

---

3.7	Données techniques	84
	EC5000 20 W - AI / BI - 24 V DC	84
	EC5000 35 W - AI / BI - 24 V DC	85
	EC5000 50 W - AI / BI - 24 V DC	86
	EC5000 20 W - AI / BI - 48 V DC	87
	EC5000 35 W - AI / BI - 48 V DC	88
	EC5000 50 W - AI / BI - 48 V DC	89
3.8	Données de performance	90
	Explication des termes	90
	EC5000 20 W - 24 V DC / 48 V DC	91
	EC5000 35 W - 24 V DC / 48 V DC	91
	EC5000 50 W - 24 V DC / 48 V DC	92
3.9	Cartes de pilotage pour le RollerDrive EC5000	93
3.10	Prise du RollerDrive AI	94
3.11	Prise du RollerDrive BI	95
3.12	Dimensions de l'axe du moteur	96
3.13	Dimensions de l'essieu moteur	96
	50 mm IP54	96
	50 mm IP66	98
	60 mm IP54 - seulement 50 W	99
3.14	RollerDrive conique (pour les courbes)	100
<b>4</b>	<b>Transport et stockage</b>	<b>103</b>
4.1	Transport	103
4.2	Stockage	103
<b>5</b>	<b>Montage et installation</b>	<b>104</b>
5.1	Avertissements concernant le montage	104
5.2	Monter le RollerDrive	105
	Insertion de l'axe de fixation	105
	Fixation du côté non câblé	106
	Fixation du RollerDrive dans le profil latéral	107
5.3	Outil de montage (accessoires)	108
	L'Interroll Interlock (accessoires)	109
5.4	Avertissements concernant l'installation électrique	110
5.5	Installation électrique	110
	Instructions de sécurité UL et CSA	110
	Conditions d'acceptation	111



---

	Installation	111
<b>6</b>	<b>Mise en service et fonctionnement</b>	<b>112</b>
6.1	Avertissements concernant la mise en service et le fonctionnement	112
6.2	Mise en service	112
	Contrôle avant la première mise en service	112
6.3	Fonctionnement	113
	Contrôle avant chaque mise en service	113
6.4	Procédure en cas d'accident ou de panne	113
<b>7</b>	<b>Maintenance et nettoyage</b>	<b>114</b>
7.1	Maintenance	114
	Vérification du RollerDrive	114
	Remplacement du RollerDrive	114
7.2	Nettoyage	115
<b>8</b>	<b>Aide en cas de pannes</b>	<b>115</b>
8.1	Recherche d'erreurs	115
<b>9</b>	<b>Démontage et élimination</b>	<b>116</b>
9.1	Démontage	116
9.2	Élimination	116
<b>10</b>	<b>Annexe</b>	<b>117</b>
10.1	Accessoires	117
	Cartes de pilotage Interroll	117
	Bloc d'alimentation High Performance Interroll	117
	Rallonge RollerDrive	117
	Courroie PolyVee	118
	Dispositif d'aide au serrage PolyVee	118
	Protection pour les doigts PolyVee (rouleau de 50 mm uniquement)	118
	Outil	118
10.2	Déclaration de conformité	119
10.3	UL déclaration de conformité	120



## 1 À propos du présent document

### 1.1 Informations sur cette notice d'utilisation

La notice d'utilisation décrit les rouleaux moteurs Interroll

- RollerDrive EC5000 AI avec interface analogique, 24 V DC et 48 V DC
- RollerDrive EC5000 BI avec interface bus CANopen digitale, 24 V DC et 48 V DC

disponibles en trois niveaux de puissance différents (voir „Description du produit“ sur la page 76).

Dans la suite du présent document, on utilisera parfois la dénomination « RollerDrive » ou éventuellement la désignation de type « EC5000 ».

La notice d'utilisation fait partie du produit et contient des remarques et informations importantes sur les différentes phases de fonctionnement du RollerDrive. Elle décrit le RollerDrive au moment de sa livraison par Interroll.

Vous trouverez la version actuelle de la présente notice d'utilisation sur Internet à l'adresse :

[www.interroll.com](http://www.interroll.com)

Toutes les informations et remarques de la présente notice d'utilisation ont été rassemblées en tenant compte des normes et directives en vigueur et de l'état de la technique.

Pour les versions spéciales, les dispositions contractuelles et les documents techniques s'appliquent en plus de la présente notice d'utilisation.

- Pour un fonctionnement sans problème et sûr, et pour d'éventuelles revendications de garantie, veuillez lire d'abord la notice d'utilisation et suivre les remarques.
- Conservez la notice d'utilisation à proximité du RollerDrive.
- Transmettez la notice d'utilisation à tout propriétaire ou utilisateur ultérieur.



Le fabricant n'assume aucune responsabilité pour les dommages et pannes de fonctionnement qui résultent du non-respect de la présente notice d'utilisation.



Si vous avez encore des questions après avoir lu la notice d'utilisation, contactez le service client d'Interroll. Vous trouverez des interlocuteurs proches de vous sur Internet à l'adresse [www.interroll.com](http://www.interroll.com)

**Pour toute remarque ou suggestion relatives à nos notices d'utilisation, rendez-vous sur [manuals@interroll.com](mailto:manuals@interroll.com)**

# À propos du présent document

---

## 1.2 Avertissements dans ce document

Les avertissements sont mentionnés dans le contexte dans lequel un danger peut survenir, sur lequel porte l'avertissement. Ils sont organisés selon le modèle suivant :



### **MOT CLÉ**

Nature et source du danger

Conséquence(s) en cas de non-respect

➤ Mesure(s) pour éviter le danger

---

Les avertissements caractérisent la nature et la gravité des conséquences si les mesures pour éviter le danger ne sont pas respectées.



### **DANGER**

Désigne un danger immédiat !

Si les mesures pour éviter le danger ne sont pas respectées, les conséquences sont le décès ou de graves blessures.

➤ Mesures pour éviter

---



### **AVERTISSEMENT**

Désigne une situation potentiellement dangereuse !

Si les mesures pour éviter le danger ne sont pas respectées, les conséquences sont le décès ou de graves blessures.

➤ Mesures pour éviter

---



### **ATTENTION**

Désigne une situation éventuellement dangereuse !

Si les mesures pour éviter le danger ne sont pas respectées, les conséquences peuvent être des blessures légères ou moyennes.

➤ Mesures pour éviter

---

## REMARQUE

Désigne une situation qui peut entraîner des dommages matériels.

- Mesures pour éviter

### 1.3 Symboles



Ce symbole indique des informations utiles et importantes.

- ✓ Ce signe désigne une condition qui doit être remplie avant les travaux de montage ou de maintenance.



Ce symbole désigne des informations générales concernant la sécurité.

- Ce signe indique qu'une action est requise.
- Ce signe indique des énumérations.



Ce signe désigne des informations concernant le RollerDrive EC5000 avec homologation UL / CSA.

# Informations concernant la sécurité

---

## 2 Informations concernant la sécurité

### 2.1 État de la technique

Le RollerDrive EC5000 est monté en tenant compte des normes en vigueur et de l'état de la technique et il est livré pour un fonctionnement en toute sécurité. Toutefois, des risques peuvent apparaître pendant l'utilisation.



**Le non-respect des remarques dans la présente notice d'utilisation peut entraîner des blessures mortelles !**

En outre, les directives locales de prévention des accidents en vigueur pour le domaine d'utilisation et les dispositions générales de sécurité doivent être respectées.

### 2.2 Utilisation conforme aux dispositions

Le RollerDrive peut exclusivement être utilisé dans un environnement industriel à des fins industrielles dans le cadre des limites de puissance fixée et indiquées dans les Données techniques.

Il doit être intégré dans une unité de convoyage ou une installation de convoyage avant d'être mis en service.

Le RollerDrive ne doit être utilisé qu'à l'horizontale, avec une inclinaison maximale de 2,5°.

#### **Domaine d'application**

Entraînement pour la manutention de marchandises, p. ex. pour le transport de cartons, récipients, fûts, porte-pièces ou pneus.

Le RollerDrive est adapté pour :

- Convoyeurs à rouleaux sans pression
- Convoyeurs en ligne
- Courbes à rouleaux
- Convoyeurs à bande

En fonction du domaine d'utilisation du RollerDrive, des courroies PolyVee, rondes ou crantées ainsi que des chaînes peuvent être utilisées pour transmettre la puissance.

## 2.3 Utilisation contraire aux dispositions

Tout usage allant au-delà de l'utilisation conforme aux dispositions n'est pas considéré conforme aux dispositions ou doit le cas échéant être approuvé par la société Interroll Engineering GmbH.

Toute modification par conversion sur le RollerDrive ou connexion au RollerDrive est interdite!

L'installation dans des locaux dans lesquels des matériaux peuvent former des atmosphères explosives/poussiéreuses, ainsi que l'utilisation dans le domaine médico-pharmaceutique sont interdites.

L'utilisation du RollerDrive dans des applications utilisant de l'eau de mer est interdite.

L'installation dans des locaux non protégés exposés aux intempéries ou des zones dans lesquelles la technique est affectée et peut dysfonctionner à cause des conditions climatiques n'est pas considérée comme une utilisation conforme aux dispositions.

L'utilisation du RollerDrive n'est pas destinée aux consommateurs particuliers ! L'utilisation dans une habitation est interdite sans contrôle supplémentaire et sans utiliser des mesures de protection CEM adaptées en conséquence !

Le RollerDrive n'est pas adapté au transport de personnes.

L'utilisation en tant que composant de sécurité ou pour assurer des fonctions de sécurité est interdite.

## 2.4 Qualification du personnel

Un personnel non qualifié ne peut pas identifier les risques et est donc exposé à des risques plus élevés.

- Ne confier les activités décrites dans la présente notice d'utilisation qu'à un personnel qualifié.
- L'opérateur est responsable du fait que le personnel respecte les dispositions et règles en vigueur localement pour des travaux en sécurité et en conscience du danger.

La présente notice d'utilisation s'adresse aux groupes cibles suivants :

### **Opérateurs**

Les opérateurs sont formés au fonctionnement et au nettoyage de la RollerDrive Interroll et respectent les directives de sécurité.

### **Personnel de service**

Le personnel de service dispose d'une formation technique spécialisée ou a suivi une formation du fabricant et effectue les travaux de maintenance et de réparation.

### **Électriciens qualifiés**

Un électricien qualifié dispose d'une formation technique et doit également effectuer les travaux sur les installations électriques de manière conforme sur la base de ses connaissances et de son expérience et des connaissances des dispositions applicables dans la situation. Il peut identifier seul les éventuels dangers et éviter les dommages corporels et matériels causés par la tension électrique.

L'ensemble des travaux sur l'installation électrique doivent en principe être effectués uniquement par des électriciens qualifiés.

# Informations concernant la sécurité

---

## 2.5 Dangers



Vous trouverez ici des informations sur les différents types de dangers ou de dommages qui peuvent survenir dans le cadre de l'utilisation du RollerDrive.

### Dommages physiques

- Ne faire réaliser les travaux de maintenance, d'installation et de réparation sur l'appareil que par un personnel spécialisé habilité en respectant les dispositions en vigueur.
- S'assurer avant de mettre en marche le RollerDrive qu'aucun personnel non autorisé ne se trouve à proximité du convoyeur / de l'installation de convoyage.

### Électricité

- Ne réaliser des travaux d'installation et de maintenance qu'en l'absence de courant.
- Mettre le RollerDrive hors tension et le sécuriser contre une remise en marche involontaire.

### Pièces rotatives

- Tenir les doigts et les cheveux hors de portée des pièces rotatives.
- Porter un filet sur les cheveux longs.
- Porter des vêtements de travail près du corps.
- Ne pas porter de bijoux comme des chaînes et des bracelets.

### Chaleur

- Ne pas toucher le RollerDrive pendant le fonctionnement. Dans le cadre d'applications avec des cycles de fonctionnement élevés, la température des tubes peut atteindre 60 °C.

### Environnement de travail

- Retirer le matériel et les objets non nécessaires de la zone de travail.

### Pannes de fonctionnement

- Contrôler régulièrement la présence de dommages visibles sur le RollerDrive.
- En cas de formation de fumée, de bruits inhabituels ou de produit transporté bloqué ou défectueux, mettre immédiatement le RollerDrive hors tension et le sécuriser contre une remise en marche involontaire.
- Contacter immédiatement le personnel spécialisé pour déterminer la cause de la panne.



# Informations concernant la sécurité

---

## Maintenance

- Étant donné qu'il s'agit d'un produit sans maintenance, il suffit de contrôler régulièrement la présence de dommages visibles sur le RollerDrive.
- Ne jamais ouvrir le RollerDrive !

## Démarrage involontaire

- S'assurer que le RollerDrive ne peut pas être mis en marche involontairement, notamment pendant le montage, pendant les travaux de maintenance et en cas d'erreur.

## 2.6 Interface avec d'autres appareils

Lors de l'intégration du RollerDrive dans une installation de convoyage, des zones dangereuses peuvent apparaître. Ces zones dangereuses ne sont pas l'objet de la présente notice d'utilisation et doivent être analysées lors du développement, de l'installation et de la mise en service de l'installation de convoyage.

- Après intégration du RollerDrive dans une installation de convoyage, l'installation complète doit être vérifiée par rapport à de nouvelles zones dangereuses éventuelles avant de mettre en marche le convoyeur.

## 2.7 Modes/phases de fonctionnement

### Fonctionnement normal

Fonctionnement dans l'état monté chez le client final en tant que composant d'un convoyeur dans une installation complète.

### Fonctionnement spécial

Le fonctionnement spécial correspond à tous les modes/phases de fonctionnement nécessaires pour garantir et maintenir le fonctionnement normal en toute sécurité.

Mode de fonctionnement spécial	Remarque
Transport/stockage	-
Montage/mise en service	Hors tension
Nettoyage	Hors tension
Maintenance/réparation	Hors tension
Recherche de panne	-
Réparation de panne	Hors tension
Démontage	Hors tension
Élimination	-

# Informations concernant la sécurité

---

## 2.8 Documentation en vigueur

Le RollerDrive EC5000 fait partie de la **plate-forme DC Interroll**, qui comprend les éléments suivants :

- Bloc d'alimentation High Performance HP5424 ou HP 5448 (24 V DC / 48 V DC) Interroll
- MultiControl AI / BI Interroll
- RollerDrive EC5000 AI / BI (24 V DC / 48 V DC)
- DriveControl 20 / 54 / 2048 Interroll



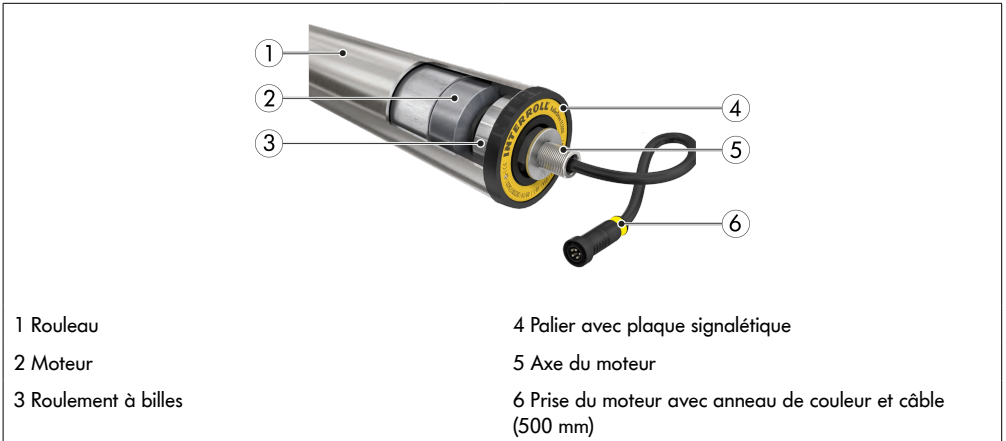
Veillez respecter les instructions des notices d'utilisation des appareils raccordés.

Le document complémentaire « MultiControl / RollerDrive - Start-up and Programming » contient de plus amples informations au sujet de l'utilisation et de la programmation du RollerDrive.

Vous trouverez la version actuelle de ce document complémentaire sur Internet à l'adresse : [www.interroll.com](http://www.interroll.com)

## 3 Informations produit

### 3.1 Composants



### Anneaux de couleur sur les prises

Afin de simplifier la distinction entre les différentes versions du RollerDrive EC5000, la prise du moteur est assortie d'un anneau de couleur.

Anneau de couleur	Version RollerDrive
Blanc	Interface analogique, 24 V DC
Gris	Interface bus, 24 V DC
Noir	Interface analogique, 48 V DC
Jaune	Interface bus, 48 V DC

# Informations produit

---

## 3.2 Description du produit

Le RollerDrive EC5000 peut être utilisé en ligne droite et dans des courbes, et il assure une vitesse de convoyage constante.

Un moteur, l'électronique du moteur et les réducteurs sont intégrés dans le RollerDrive.

Les deux versions de l'interface (analogique / bus CAN) du RollerDrive EC5000 sont disponibles en trois niveaux de puissance différents :

- 20 W
- 35 W
- 50 W

### Protection contre la surcharge

L'EC5000 dispose de plusieurs systèmes de protection contre la surcharge :

#### Détection de blocage (Seulement dans Velocity Mode)

Si le RollerDrive est bloqué, il essaie de surmonter le blocage avec 2,5 fois le couple nominal.

Si cela échoue, un signal d'erreur est émis après 20 secondes et le RollerDrive passe en mode roue libre.

Le signal d'erreur est automatiquement réinitialisé après 10 secondes.

Comportement de l'EC5000 AI: si la consigne est toujours présente, le RollerDrive tente de redémarrer.

Comportement de l'EC5000 BI: le RollerDrive est prêt à être acquitté.

#### Détection de surcharge

Si le RollerDrive tourne plus lentement que spécifié, il essaie de surmonter le fonctionnement intense avec 2,5 fois le couple nominal.

Si cela échoue, un signal d'erreur est émis après 50 secondes et le RollerDrive passe en mode roue libre.

Le signal d'erreur est automatiquement réinitialisé après 10 secondes.

Comportement de l'EC5000 AI: si la consigne est toujours présente, le RollerDrive tente de redémarrer.

Comportement de l'EC5000 BI: le RollerDrive est prêt à être acquitté.



À une température de l'électronique interne du moteur  $<70^{\circ}\text{C}$  et une vitesse du moteur  $<300\text{ min}^{-1}$ , la détection de blocage et la détection de marche importante sont en outre pulsées avec 1 seconde 4 fois le couple nominal et 2 secondes 2,5 fois le couple nominal.



### AVERTISSEMENT

Risque d'écrasement

A partir d'un couple de 3,75 Nm (diamètre du rouleau 50 mm) ou 4,5 Nm (60 mm), des forces statiques  $> 150\text{ N}$  se produisent.

(voir tableaux pages 91 à 22)

## Surveillance de la température

La température du moteur intégré dans le RollerDrive et celle de l'électronique du moteur sont surveillées. Si la température maximale autorisée est dépassée, le RollerDrive est arrêté et le signal d'erreur est déclenché. Après refroidissement des composants en surchauffe, le signal d'erreur est réinitialisé.

Comportement de l'EC5000 AI: si la consigne est toujours présente, le RollerDrive tente de redémarrer.

Comportement de l'EC5000 BI: le RollerDrive est prêt à être acquitté.



## AVERTISSEMENT

Comportement en cas de protection contre la surcharge du EC5000 AI :

Les signaux des fonctions de protection contre les surcharges sont automatiquement réinitialisés. Si la valeur de consigne est toujours valable, cela peut entraîner un démarrage involontaire du RollerDrive.

➤ Le traitement de l'erreur doit être effectué sur le plan de la technique de commande.

## Frein d'arrêt (Zero Motion Hold)

Le RollerDrive EC5000 est équipé d'un frein d'arrêt électronique qui permet d'utiliser des convoyeurs à pentes descendantes et ascendantes.

EC5000 AI :

Frein d'arrêt actif en l'absence de signal de démarrage.

EC5000 BI :

Frein d'arrêt actif avec le mode de fonctionnement « Operational » et la valeur de consigne sur « 0 ».



En cas de panne de l'alimentation électrique, le frein d'arrêt ne sera plus actif, car il ne s'agit pas d'un frein mécanique.

## Récupération d'énergie

Le RollerDrive récupère de l'énergie lors du freinage du produit transporté. Cela permet un échauffement plus réduit du moteur et de l'électronique du moteur et améliore le bilan énergétique de l'installation. Les cartes de pilotage Interroll sont équipées d'un interrupteur qui empêche une hausse de la tension de l'alimentation électrique.



Si on utilise des commandes moteur sans limiteur de tension (hacheur de freinage), il faut s'assurer que les blocs d'alimentation utilisés sont compatibles avec la récupération d'énergie (jusqu'à 35 V / 60 V).

Nous recommandons d'utiliser les blocs d'alimentation High Performance Interroll.

# Informations produit

---

## 3.3 RollerDrive EC5000 BI avec bus CAN

Le protocole de communication via bus CAN du EC5000 BI est basé sur les normes CAN / CANopen suivantes :

- ISO 11898-1 Véhicules routiers - Bus CAN - Partie 1 : Couche liaison de données et signalisation physique
- ISO 11898-2 Gestionnaire de réseau de communication (CAN) - Partie 2 : Unité d'accès au support à haute vitesse
- EN 50325 Sous-système de communications industriel basé sur l'ISO 11898 (CAN) - Partie 1 : Prescriptions générales
- CiA 402 profil d'appareil CANopen pour entraînements électriques

La communication par bus CAN offre, entre autres, la possibilité de lire les valeurs réelles (surveillance) du RollerDrive :

- Nombre de démarrages / arrêts
- Heures de fonctionnement (prêt à fonctionner)
- Durée de fonctionnement (temps de marche du moteur)
- Température minimale
- Température maximale
- Température réelle
- Nombre d'arrêts rapides
- Performance moyenne
- Nombre de rotations

De plus, des témoins lumineux d'état et de durée de vie ont été intégrés et peuvent être exploités à l'aide de la MultiControl BI Interroll connectée ou d'un API connecté.

### Témoin lumineux de durée de vie

Sur la base de valeurs comparatives déterminées statistiquement, un signal est émis lorsque le RollerDrive atteint une durée de vie à partir de laquelle il est recommandé de le remplacer.

Il ne s'agit pas d'une valeur fixe qui diminue à mesure que l'échéance approche.

En fonction de la charge à laquelle le RollerDrive est soumis, la durée de vie prévue peut être réduite ou prolongée.

Le témoin lumineux de durée de vie peut indiquer deux états :

Vert	Le RollerDrive n'a pas encore atteint sa durée de vie limite.
Jaune	Le RollerDrive a atteint sa durée de vie limite. Il est recommandé de le remplacer.
Rouge	Cet état n'est pas applicable.

## Témoin lumineux d'état

Des témoins lumineux dits d'état ou de situation permettent de surveiller les valeurs réelles du Roller Drive.

Il existe donc des témoins lumineux d'état pour surveiller

- la température
- la puissance
- le taux d'erreur

### La température

Vert	La température du RollerDrive est correcte.
Jaune	La température du RollerDrive a atteint la limite d'alerte.
Rouge	La température du RollerDrive a dépassé un seuil critique.

### La puissance

Vert	Le fonctionnement du RollerDrive est conforme aux limites de performances définies.
Jaune	La puissance nominale du RollerDrive est dépassée.
Rouge	Les performances du RollerDrive dépassent de 120 % sa puissance nominale.

### Le taux d'erreur

Le taux des erreurs suivantes est surveillé au cours d'une période spécifiée :

- Difficulté de fonctionnement
- Synchronisation de blocage
- Surtension
- Sous-tension

Vert	Le RollerDrive est dans un état opérationnel.
Jaune	Le nombre d'erreurs survenues au cours de la période spécifiée a atteint la limite d'alerte.
Rouge	Le nombre d'erreurs survenues au cours de la période spécifiée a atteint un seuil critique.



Les témoins lumineux ne jouent qu'un rôle informatif, ils ne peuvent pas entraîner la mise hors tension du RollerDrive.

Les signaux peuvent être évalués et traités sur la commande connectée.

# Informations produit

## Modes de fonctionnement divers

Le RollerDrive EC5000 BI peut être utilisé en mode vitesse ou en mode positionnement.

Cela permet de déplacer le RollerDrive avec une précision millimétrique dans le cas d'applications spécifiques.



Pour le mode de positionnement, le sens de rotation « clockwise » (paramètres d'usine) doit être sélectionné dans les réglages par défaut !

## Paramètres d'usine du bus CAN

ID de nœud : 127 (mode LSS pour la saisie d'adresse dynamique)

Vitesse de transmission : 250 kBit/s

## Paramètres d'usine des valeurs d'accélération du RollerDrive EC5000 BI (s'applique également à l'EC5000 AI)

Pour une rampe d'accélération optimale, l'EC5000 BI/AI est fourni avec les valeurs d'accélération suivantes.

Réducteur	9:1	13:1	18:1	21:1	30:1	42:1	49:1	78:1	108:1
Valeur d'accélération mm/s <sup>2</sup>	13215	9149	6608	5664	3965	2832	2427	1525	1101
Valeur de décélération mm/s <sup>2</sup>	0	0	0	0	0	2832	2427	1525	1101
Max. Valeur d'accélération / décélération max. en mode positionnement mm/s <sup>2</sup>	2907	2013	1454	1246	872	623	534	335	242

Ces valeurs définissent l'accélération / décélération la plus rapide possible et sont entrées dans le RollerDrive dans l'objet SDO « 6083h / 6084h ».

ID d'objet	Sous- indice	Nom	Type de donnée	Acc	Min.	Max.	Par défaut	Carto- graphiable
6083h	00h	Profile acceleration	UINT32	rw			En fonction du réducteur	RM
6084h	00h	Profile deceleration	UINT32	rw			0	RM



Vous trouverez de plus amples informations sur le bus CAN dans la notice d'utilisation « Interroll MultiControl BI » et dans le document complémentaire « Interroll RollerDrive EC5000 BI - Interface Description ».

Le document complémentaire peut être trouvé dans la zone de téléchargement sur [www.interroll.com](http://www.interroll.com)





# Informations produit

## 3.5 RollerDrive EC5000 en tant que remplacement du RollerDrive EC310

Le RollerDrive EC5000 24 V DC 20 W AI et l'EC5000 24 V DC 35 W AI sont conçus pour remplacer le RollerDrive EC310 en l'état.

### REMARQUE

Surcharge du câble de rallonge existant pour le RollerDrive EC5000 24 V DC 50 W AI

- Lors de l'utilisation du RollerDrive EC5000 24 V DC 50 W AI en remplacement du RollerDrive EC310, tout câble de rallonge utilisé doit toujours être remplacé également.



Prenez en compte les changements de vitesse dus aux différentes vitesses nominales des moteurs installés et aux différents rapports de réduction.

	RollerDrive EC310	RollerDrive EC5000
Vitesse nominale du moteur	6 000 tr/min	6900 1/min <sup>1)</sup>
Rapports de réduction	9:1	9:1
	12:1	13:1
	16:1	18:1
	20:1	21:1
	24:1	30:1
	36:1	42:1
	48:1	49:1
	64:1	78:1
	96:1	108:1

<sup>1)</sup> Si l'EC5000 fonctionne en dessous de la tension nominale, une réduction de vitesse minimale doit être attendue.

## 3.6 Identification du produit

Les indications suivantes sont nécessaires pour l'identification du RollerDrive :

Information	Valeur possible	Valeur propre
RollerDrive	Type de moteur	
Plaque signalétique	Rapport de réduction Numéro de série Puissance mécanique Tension d'alimentation Bus CAN/analogique	
Certification UL	oui/non	
Diamètre de tube	50 mm, 60 mm	
Matériau du tube	Acier inoxydable Acier zingué	
Gaine pour tube	Tube PVC 2 mm, 5 mm Tube PU 2 mm Engommage 2 à 5 mm Éléments coniques 1,8°, 2,2°	
Longueur d'installation RollerDrive	EL	
Élément d'entraînement du côté non câblé	Tête d'entraînement PolyVee Courroies rondes : Deux gorges Tête à courroie ronde Tête d'entraînement des courroies crantées Tête d'entraînement du pignon denté	
Fixation du côté non câblé	Axe à ressort à six pans Fixation du filetage interne Axe à ressort conique à six pans (voir „Dimensions de l'essieu moteur“ sur la page 96)	

# Informations produit

## 3.7 Données techniques

### EC5000 20 W - AI / BI - 24 V DC

Tension nominale	24 V DC, basse tension de protection TBTP
Plage de tension	18 à 28 V DC
Courant nominal	1,2 A / 1,4 A <sup>1)</sup>
Courant de démarrage	3,0 A <sup>2)</sup>
Seuil de commutation entrée du signal « Sens de rotation »	Sécurité « High » : U > 7 V DC Sécurité « Low » : U < 4 V DC
Ondulation résiduelle maximale de l'alimentation électrique	3 %
Niveau de bruit maximal (monté)	55 db(A) <sup>3)</sup>
Homologation de type UL	Homologation de type 2 (en option)
Température ambiante en fonctionnement	0 °C à +40 °C (32 °F to +104 °F)
Température ambiante pour le transport et le stockage	-30 °C à +75 °C (-22 °F to +167 °F)
Hauteur d'installation	Max. 1 000 m (3 280 ft) <sup>4)</sup>

Toutes les données sont valables pour une température ambiante de 20 °C (68 °F).

Au-delà de 25 °C (77 °F), il faut appliquer un déclasserment.

- <sup>1)</sup> Courant nominal plus élevé pour les rapports de réduction 78:1 et 108:1 (réducteur à trois étages au lieu de deux)
- <sup>2)</sup> Le courant effectif dépend des conditions d'application, comme le poids convoyé, le nombre de rouleaux connectés, etc.
- <sup>3)</sup> La valeur peut varier en fonction de l'état de montage, des formes de profils et du comportement à la résonance de l'installation.
- <sup>4)</sup> Déclasserment estimé : 5 % au-dessus de 1 500 m (4 920 ft), 10 % au-dessus de 2 000 m (6 560 ft).



Pour une utilisation dans des environnements de degré de pollution 3 et de catégorie de surtension II uniquement.

## EC5000 35 W - AI / BI - 24 V DC

Tension nominale	24 V DC, basse tension de protection TBTP
Plage de tension	18 à 28 V DC
Courant nominal	2,2 A / 2,4 A <sup>1)</sup>
Courant de démarrage	5,5 A <sup>2)</sup>
Seuil de commutation entrée du signal « Sens de rotation »	Sécurité « High » : U > 7 V DC Sécurité « Low » : U < 4 V DC
Ondulation résiduelle maximale de l'alimentation électrique	3 %
Niveau de bruit maximal (monté)	55 db(A) <sup>3)</sup>
Homologation de type UL	Homologation de type 2 (en option)
Température ambiante en fonctionnement	0 °C à +40 °C (32 °F to +104 °F) 30:1, 42:1, 49:1 = -30 °C à +40 °C (-22 °F to +104 °F)
Température ambiante pour le transport et le stockage	-30 °C à +75 °C (-22 °F to +167 °F)
Hauteur d'installation	Max. 1 000 m (3 280 ft) <sup>4)</sup>

Toutes les données sont valables pour une température ambiante de 20 °C (68 °F).

Au-delà de 25 °C (77 °F), il faut appliquer un déclasserment.

<sup>1)</sup> Courant nominal plus élevé pour les rapports de réduction 78:1 et 108:1 (réducteur à trois étages au lieu de deux)

<sup>2)</sup> Le courant effectif dépend des conditions d'application, comme le poids convoyé, le nombre de rouleaux connectés, etc.

<sup>3)</sup> La valeur peut varier en fonction de l'état de montage, des formes de profils et du comportement à la résonance de l'installation.

<sup>4)</sup> Déclasserment estimé : 5 % au-dessus de 1 500 m (4 920 ft), 10 % au-dessus de 2 000 m (6 560 ft).



Pour une utilisation dans des environnements de degré de pollution 3 et de catégorie de surtension II uniquement.

# Informations produit

## EC5000 50 W - AI / BI - 24 V DC

Tension nominale	24 V DC, basse tension de protection TBTP
Plage de tension	18 à 28 V DC
Courant nominal	3,0 A / 3,4 A <sup>1)</sup>
Courant de démarrage	7,5 A <sup>2)</sup>
Seuil de commutation de l'entrée de signal « Sens de rotation »	Sécurité « High » : U > 7 V DC Sécurité « Low » : U < 4 V DC
Ondulation résiduelle maximale de l'alimentation électrique	3 %
Niveau de bruit maximal (monté)	55 db(A) <sup>3)</sup>
Homologation de type UL	Homologation de type 2 (en option)
Température ambiante en fonctionnement	-30 °C à +40 °C (-22 °F to +104 °F)
Température ambiante pour transport et stockage	-30 °C à +75 °C (-22 °F to +167 °F)
Hauteur d'installation	Max. 1 000 m (3 280 ft) <sup>4)</sup>

Toutes les données sont valables pour une température ambiante de 20 °C (68 °F).

Au-delà de 25 °C (77 °F), il faut appliquer un déclassé.

- <sup>1)</sup> Courant nominal plus élevé pour les rapports de réduction 78:1 et 108:1 (réducteur à trois étages au lieu de deux)
- <sup>2)</sup> Le courant effectif dépend des conditions d'application, comme le poids convoyé, le nombre de rouleaux connectés, etc.
- <sup>3)</sup> La valeur peut varier en fonction de l'état de montage, des formes de profils et du comportement à la résonance de l'installation.
- <sup>4)</sup> Déclassé estimé : 5 % au-dessus de 1 500 m (4 920 ft), 10 % au-dessus de 2 000 m (6 560 ft).



Pour une utilisation dans des environnements de degré de pollution 3 et de catégorie de surtension II uniquement.

## EC5000 20 W - AI / BI - 48 V DC

Tension nominale	48 V DC, basse tension de protection TBTP
Plage de tension	36 à 56 V DC
Courant nominal	0,6 A / 0,7 A <sup>1)</sup>
Courant de démarrage	1,5 A <sup>2)</sup>
Seuil de commutation de l'entrée de signal « Sens de rotation »	Sécurité « High » : $U > 7$ V DC Sécurité « Low » : $U < 4$ V DC
Ondulation résiduelle maximale de l'alimentation électrique	3 %
Niveau de bruit maximal (monté)	55 db(A) <sup>3)</sup>
Homologation de type UL	Homologation de type 2 (en option)
Température ambiante en fonctionnement	0 °C à +40 °C
Température ambiante pour le transport et le stockage	-30 °C à +75 °C
Hauteur d'installation	Max. 1 000 m <sup>4)</sup>

Toutes les données sont valables pour une température ambiante de 20 °C.

À partir de 25 °C, il faut appliquer un déclassement.

<sup>1)</sup> Courant nominal plus élevé pour les rapports de réduction 78:1 et 108:1 (réducteur à trois étages au lieu de deux)

<sup>2)</sup> Le courant effectif dépend des conditions d'application, comme le poids convoyé, le nombre de rouleaux connectés, etc.

<sup>3)</sup> La valeur peut varier en fonction de l'état de montage, des formes de profils et du comportement à la résonance de l'installation.

<sup>4)</sup> Déclassement estimé : 5 % au-dessus de 1 500 m, 10 % au-dessus de 2 000 m.

# Informations produit

## EC5000 35 W - AI / BI - 48 V DC

Tension nominale	48 V DC, basse tension de protection TBTP
Plage de tension	36 à 56 V DC
Courant nominal	1,1 A / 1,2 A <sup>1)</sup>
Courant de démarrage	2,8 A <sup>2)</sup>
Seuil de commutation de l'entrée de signal « Sens de rotation »	Sécurité « High » : U > 7 V DC Sécurité « Low » : U < 4 V DC
Ondulation résiduelle maximale de l'alimentation électrique	3 %
Niveau de bruit maximal (monté)	55 db(A) <sup>3)</sup>
Homologation de type UL	Homologation de type 2 (en option)
Température ambiante en fonctionnement	0 °C à +40 °C (32 °F to +104 °F) 30:1, 42:1, 49:1 = -30 °C à +40 °C (-22 °F to +104 °F)
Température ambiante pour le transport et le stockage	-30 °C à +75 °C (-22 °F to +167 °F)
Hauteur d'installation	Max. 1 000 m (3 280 ft) <sup>4)</sup>

Toutes les données sont valables pour une température ambiante de 20 °C (68 °F).

Au-delà de 25 °C (77 °F), il faut appliquer un déclassément.

<sup>1)</sup> Courant nominal plus élevé pour les rapports de réduction 78:1 et 108:1 (réducteur à trois étages au lieu de deux)

<sup>2)</sup> Le courant effectif dépend des conditions d'application, comme le poids convoyé, le nombre de rouleaux connectés, etc.

<sup>3)</sup> La valeur peut varier en fonction de l'état de montage, des formes de profils et du comportement à la résonance de l'installation.

<sup>4)</sup> Déclassément estimé : 5 % au-dessus de 1 500 m (4 920 ft), 10 % au-dessus de 2 000 m (6 560 ft).



Pour une utilisation dans des environnements de degré de pollution 3 et de catégorie de surtension II uniquement.



## EC5000 50 W - AI / BI - 48 V DC

Tension nominale	48 V DC, basse tension de protection TBTP
Plage de tension	36 à 56 V DC
Courant nominal	1,5 A / 1,7 A <sup>1)</sup>
Courant de démarrage	3,8 A <sup>2)</sup>
Seuil de commutation de l'entrée de signal « Sens de rotation »	Sécurité « High » : U > 7 V DC Sécurité « Low » : U < 4 V DC
Ondulation résiduelle maximale de l'alimentation électrique	3 %
Niveau de bruit maximal (monté)	55 db(A) <sup>3)</sup>
Homologation de type UL	Homologation de type 2 (en option)
Température ambiante en fonctionnement	-30 °C à +40 °C (-22 °F to +104 °F)
Température ambiante pour le transport et le stockage	-30 °C à +75 °C (-22 °F to +167 °F)
Hauteur d'installation	Max. 1 000 m (3 280 ft) <sup>4)</sup>

Toutes les données sont valables pour une température ambiante de 20 °C (68 °F).

Au-delà de 25 °C (77 °F), il faut appliquer un déclassé.

- <sup>1)</sup> Courant nominal plus élevé pour les rapports de réduction 78:1 et 108:1 (réducteur à trois étages au lieu de deux)
- <sup>2)</sup> Le courant effectif dépend des conditions d'application, comme le poids convoyé, le nombre de rouleaux connectés, etc.
- <sup>3)</sup> La valeur peut varier en fonction de l'état de montage, des formes de profils et du comportement à la résonance de l'installation.
- <sup>4)</sup> Déclassé estimé : 5 % au-dessus de 1 500 m (4 920 ft), 10 % au-dessus de 2 000 m (6 560 ft).



Pour une utilisation dans des environnements de degré de pollution 3 et de catégorie de surtension II uniquement.

# Informations produit

---

## 3.8 Données de performance

### Explication des termes

#### Couple nominal

Le couple que le RollerDrive peut fournir à une température ambiante de 20 °C (68 °F) et à la vitesse nominale en fonctionnement continu.

#### Couple d'accélération

Le couple dont le RollerDrive dispose pendant son fonctionnement pour agir contre une charge.

Couple d'accélération = couple nominal x 2,5.

Le couple d'accélération ne peut pas dépasser 13 Nm.

#### Couple de maintien (Zero Motion Hold)

Couple de maintien = couple d'accélération.

#### Couple de rupture

Le couple de rupture est valable pour une vitesse de rotation du moteur < 350 tr/min et une température de moteur < 70 °C (158 °F).

Le couple de rupture figure dans le cycle 1s -  $4 \times M_{\text{Nominal}}$  / 2s -  $2,5 \times M_{\text{Nominal}}$ .

Le couple de rupture ne peut pas dépasser 13 Nm.

## EC5000 20 W - 24 V DC / 48 V DC

Rapport de réduction	Vitesse de convoyage Rouleau 50 mm [m/s]		Couple nominal [Nm] <sup>1)</sup>	Couple d'accélération [Nm] <sup>1)</sup>	Couple de maintien [Nm] <sup>1)</sup>	Couple de rupture [Nm] <sup>1)</sup>
	Max.	Min.				
9:1	2,01	0,09 <sup>2)</sup>	0,25	0,63	0,63	1,01
13:1	1,39	0,06 <sup>2)</sup>	0,36	0,91	0,91	1,46
18:1	1,00	0,04 <sup>2)</sup>	0,50	1,26	1,26	2,02
21:1	0,86	0,04 <sup>2)</sup>	0,59	1,47	1,47	2,36
30:1	0,60	0,03 <sup>2)</sup>	0,85	2,13	2,13	3,40
42:1	0,43	0,02 <sup>2)</sup>	1,18	2,95	2,95	4,71
49:1	0,37	0,02 <sup>2)</sup>	1,37	3,44	3,44	5,50
78:1	0,23	0,01 <sup>2)</sup>	2,02	5,43	5,43	8,68
108:1	0,17	0,01 <sup>2)</sup>	2,82	7,57	7,57	12,12

## EC5000 35 W - 24 V DC / 48 V DC

Rapport de réduction	Vitesse de convoyage Rouleau 50 mm [m/s]		Couple nominal [Nm] <sup>1)</sup>	Couple d'accélération [Nm] <sup>1)</sup>	Couple de maintien [Nm] <sup>1)</sup>	Couple de rupture [Nm] <sup>1)</sup>
	Max.	Min.				
9:1	2,01	0,09 <sup>2)</sup>	0,44	1,11	1,11	1,77
13:1	1,39	0,06 <sup>2)</sup>	0,64	1,60	1,60	2,56
18:1	1,00	0,04 <sup>2)</sup>	0,89	2,22	2,22	3,55
21:1	0,86	0,04 <sup>2)</sup>	1,04	2,59	2,59	4,14
30:1	0,60	0,03 <sup>2)</sup>	1,49	3,74	3,74	5,98
42:1	0,43	0,02 <sup>2)</sup>	2,07	5,18	5,18	8,28
49:1	0,37	0,02 <sup>2)</sup>	2,42	6,04	6,04	9,66
78:1	0,23	0,01 <sup>2)</sup>	3,55	9,54	9,54	13,00
108:1	0,17	0,01 <sup>2)</sup>	4,95	13,00	13,00	13,00

Toutes les données sont valables pour une température ambiante de 20 °C (68 °F).

<sup>1)</sup> Avant le rodage, les valeurs peuvent varier jusqu'à  $\pm 20$  %. Après la phase d'entrée, les valeurs ne varient plus que de  $\pm 10$  % pour 95 % des RollerDrive utilisés.

<sup>2)</sup> En raison des tolérances et / ou des chutes de tension sur les câbles, il est possible que le RollerDrive ne tourne pas. Dans ce cas, augmentez la valeur de consigne.

# Informations produit

## EC5000 50 W - 24 V DC / 48 V DC

Rapport de réduction	Vitesse de convoyage Rouleau 50 mm [m/s]		Couple nominal [Nm] <sup>1)</sup>	Couple d'accélération [Nm] <sup>1)</sup>	Couple de maintien [Nm] <sup>1)</sup>	Couple de rupture [Nm] <sup>1)</sup>
	Max.	Min.				
9:1	2,01	0,09 <sup>2)</sup>	0,63	1,58	1,58	2,54
13:1	1,39	0,06 <sup>2)</sup>	0,91	2,29	2,29	3,66
18:1	1,00	0,04 <sup>2)</sup>	1,27	3,17	3,17	5,07
21:1	0,86	0,04 <sup>2)</sup>	1,48	3,70	3,70	5,92
30:1	0,60	0,03 <sup>2)</sup>	2,13	5,34	5,34	8,54
42:1	0,43	0,02 <sup>2)</sup>	2,96	7,40	7,40	11,83
49:1	0,37	0,02 <sup>2)</sup>	3,45	8,63	8,63	13,00
78:1	0,23	0,01 <sup>2)</sup>	5,07	13,00	13,00	13,00
108:1	0,17	0,01 <sup>2)</sup>	7,07	13,00	13,00	13,00

Rapport de réduction	Vitesse de convoyage Rouleau 60 mm [m/s]		Couple nominal [Nm] <sup>1)</sup>	Couple d'accélération [Nm] <sup>1)</sup>	Couple de maintien [Nm] <sup>1)</sup>	Couple de rupture [Nm] <sup>1)</sup>
	Max.	Min.				
9:1	2,41	0,12 <sup>2)</sup>	0,63	1,58	1,58	2,54
13:1	1,67	0,09 <sup>2)</sup>	0,91	2,29	2,29	3,66
18:1	1,20	0,06 <sup>2)</sup>	1,27	3,17	3,17	5,07
21:1	1,03	0,05 <sup>2)</sup>	1,48	3,70	3,70	5,92
30:1	0,72	0,03 <sup>2)</sup>	2,13	5,34	5,34	8,54
42:1	0,52	0,03 <sup>2)</sup>	2,96	7,40	7,40	11,83
49:1	0,44	0,03 <sup>2)</sup>	3,45	8,63	8,63	13,00
78:1	0,28	0,01 <sup>2)</sup>	5,07	13,00	13,00	13,00
108:1	0,20	0,01 <sup>2)</sup>	7,07	13,00	13,00	13,00

Toutes les données sont valables pour une température ambiante de 20 °C (68 °F).

<sup>1)</sup> Avant le rodage, les valeurs peuvent varier jusqu'à  $\pm 20$  %. Après la phase d'entrée, les valeurs ne varient plus que de  $\pm 10$  % pour 95 % des RollerDrive utilisés.

<sup>2)</sup> En raison des tolérances et / ou des chutes de tension sur les câbles, il est possible que le RollerDrive ne tourne pas. Dans ce cas, augmentez la valeur de consigne.

## 3.9 Cartes de pilotage pour le RollerDrive EC5000

Interroll recommande d'utiliser le RollerDrive EC5000 en association avec les différentes cartes de pilotage Interroll :

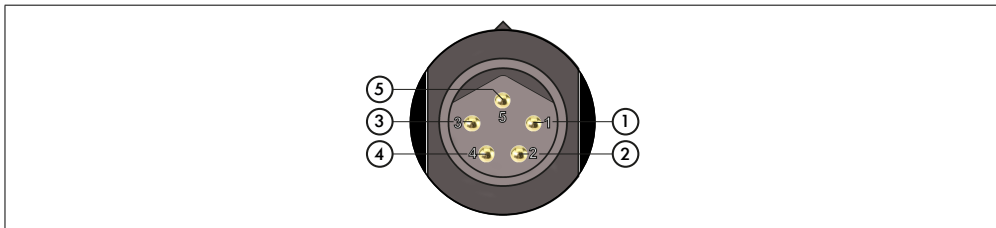
Commande	Interface analogique						Interface bus					
	24 V			48 V			24 V			48 V		
	20	35	50	20	35	50	20	35	50	20	35	50
	W	W	W	W	W	W	W	W	W	W	W	W
DriveControl 20 / DriveControl 54	X	X										
DriveControl 2048	X	X	X	X	X	X						
ZoneControl	X	X										
MultiControl AI	X	X	X	X	X	X						
MultiControl BI							X	X	X	X	X	X



Vous trouverez des informations plus détaillées sur les cartes de pilotage dans les instructions de service correspondantes, dans le catalogue Interroll DC Platform ou sur [www.interroll.com](http://www.interroll.com)

# Informations produit

## 3.10 Prise du RollerDrive AI



Broche	Couleur	Fonction	Valeur
1	Marron	Entrée de l'alimentation électrique (+)	Tension nominale : 24 V DC 48 V DC Plage de tension : 18 à 28 V DC 36 à 56 V DC
2	Blanc	Entrée sens de rotation vu de l'extrémité du câble du RollerDrive	« Low » = sens inverse des aiguilles d'une montre « High » = sens des aiguilles d'une montre
3	Bleu	Masse pour l'alimentation électrique et le signal (-)	Masse
4	Noir	Sortie défaut	Open Collector $U_{CESAT} = 0,5 \text{ V DC}$ pour $I_c = 5 \text{ mA}$ $U_{MAX} = 30 \text{ V DC}$ $I_{CMAX} = 5 \text{ mA}$ Erreur : signal « High » Aucune erreur : signal « Low »
5	Gris	Signal analogique de vitesse / de démarrage	Voir tableau « Signal analogique de vitesse / de démarrage (broche 5) »

### REMARQUE

Destruction du RollerDrive à cause de valeurs de raccordement erronées.

- N'essayez jamais de faire fonctionner un RollerDrive EC5000 24 V DC avec du 48 V DC. Cela entraînerait la destruction des composants électroniques du moteur.
- Lors du raccordement, tenez compte de l'anneau de couleur sur la prise du moteur (voir « Anneaux de couleur sur les prises » sur la page 75).

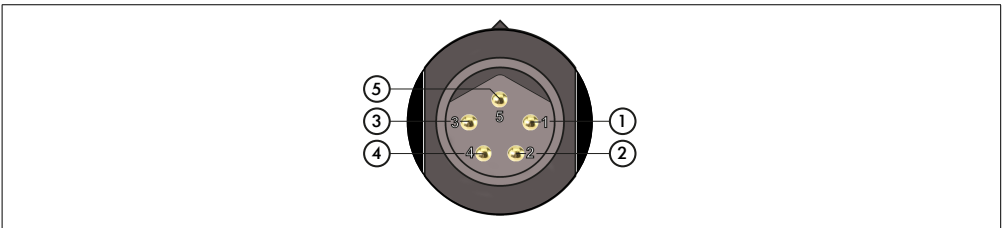
## Signal analogique de vitesse / de démarrage (broche 5)

Plage de tension	0 à 24 V DC
Arrêt (Zero Motion Hold)	0 à 2,3 V DC
Vitesse	2,3 V DC à 10 V DC 2,3 V = Vitesse minimale = 300 tr/min 10 V = Vitesse maximale = 6 900 tr/min
Max. Vitesse	10 V DC à 24 V DC



La vitesse de convoyage résulte du rapport de réduction et de la valeur de tension du signal analogique de vitesse.

### 3.11 Prise du RollerDrive BI



Broche	Couleur	Fonction	Valeur		
1	Marron	Entrée de l'alimentation électrique (+)	Tension nominale :	24 V DC	48 V DC
			Plage de tension :	18 à 28 V DC	36 à 56 V DC
2	Blanc	CAN High			
3	Bleu	Masse pour l'alimentation électrique et le signal (-)	Masse		
4	Noir	CAN Low			
5	Gris	Service fabricant			

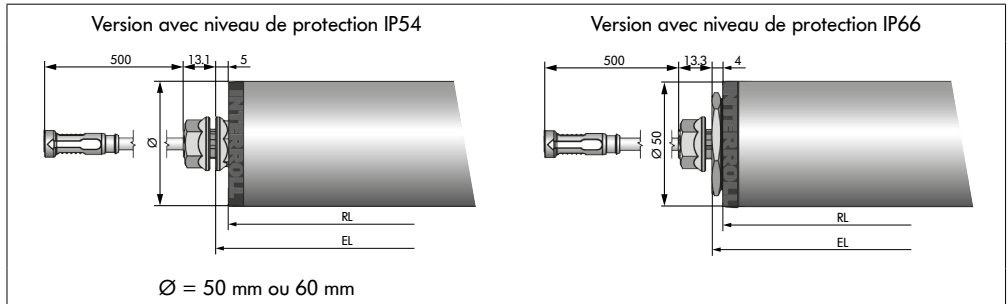
## REMARQUE

**Destruction du RollerDrive EC5000 avec interface bus lors du branchement / débranchement sous tension**

- Le RollerDrive EC5000 BI ne peut pas être (dé)branché lorsqu'il est en marche. Coupez l'alimentation électrique avant de connecter / déconnecter le RollerDrive EC5000 BI.

# Informations produit

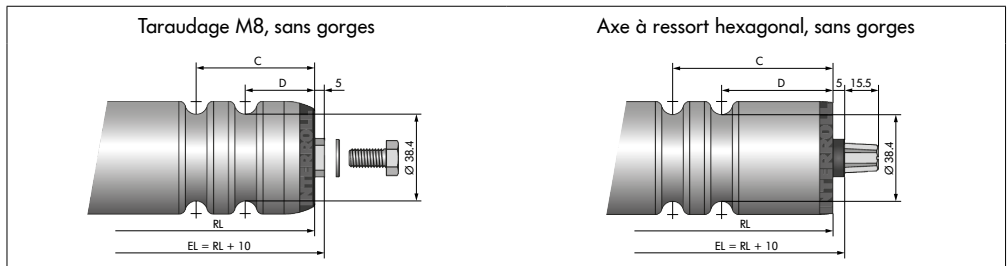
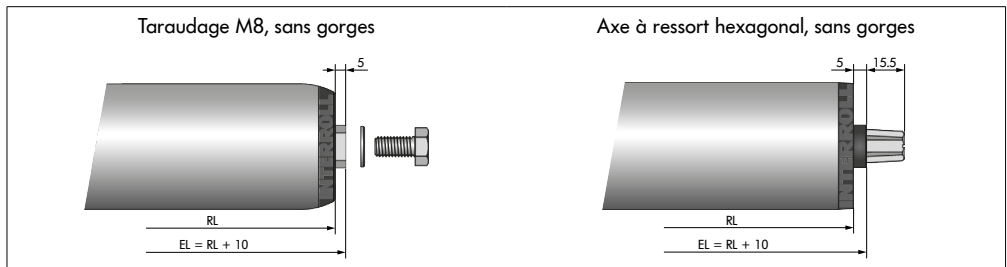
## 3.12 Dimensions de l'axe du moteur



RL = longueur de référence / longueur de commande  
EL = longueur utile, écartement entre les profils latéraux

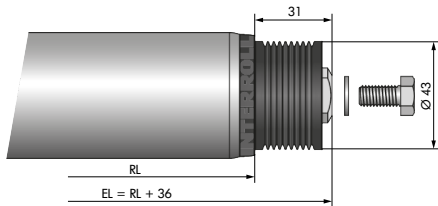
## 3.13 Dimensions de l'essieu moteur

### 50 mm IP54

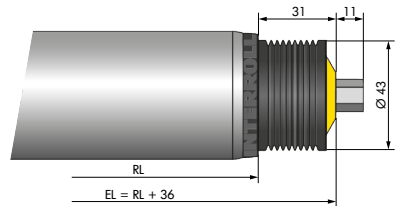




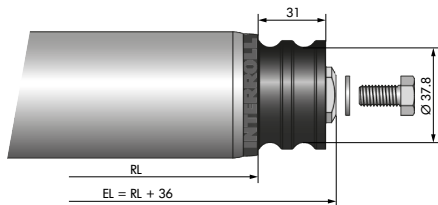
Tête d'entraînement PolyVee avec taraudage M8



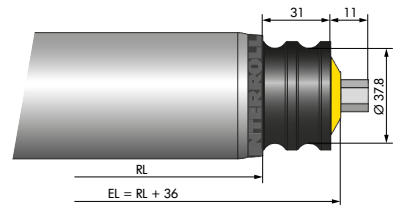
Tête d'entraînement PolyVee avec axe à ressort hexagonal



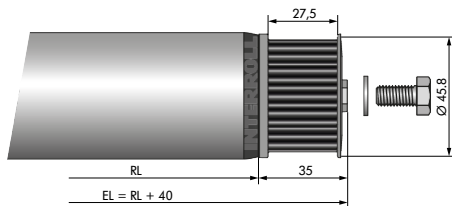
Tête d'entraînement PolyVee avec taraudage M8



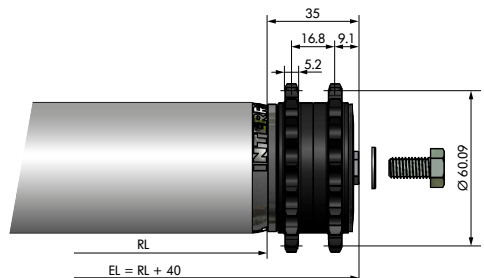
Tête d'entraînement PolyVee avec axe à ressort hexagonal



Tête d'entraînement pour courroie crantée avec taraudage M8

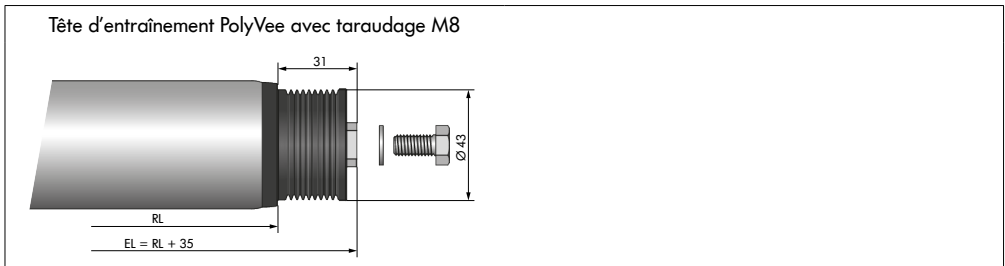
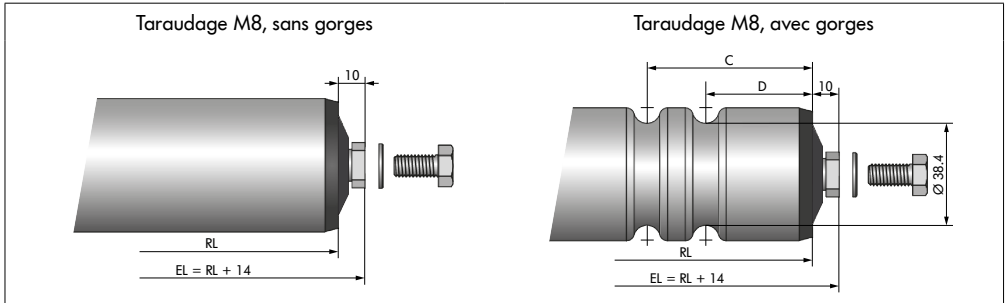


Tête d'entraînement à pignon avec taraudage M8

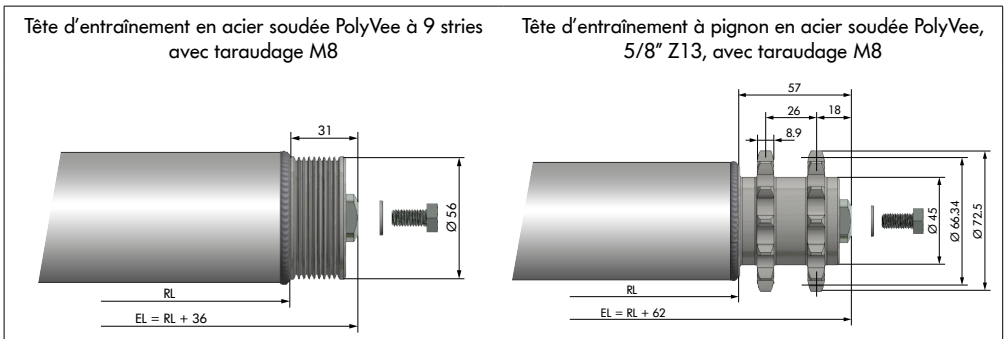
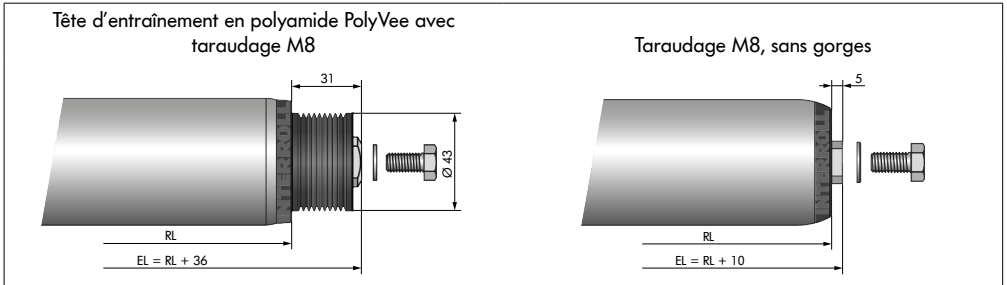


# Informations produit

## 50 mm IP66



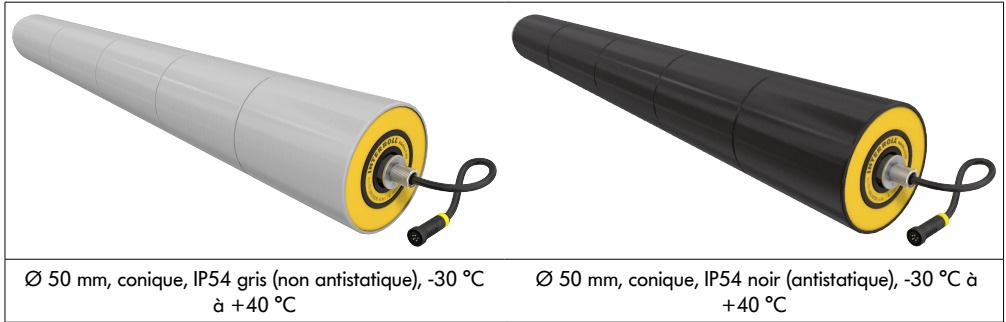
## 60 mm IP54 - seulement 50 W



Nous recommandons l'utilisation de courroies PolyVee à 4 stries pour la tête d'entraînement en acier soudée PolyVee.

# Informations produit

## 3.14 RollerDrive conique (pour les courbes)

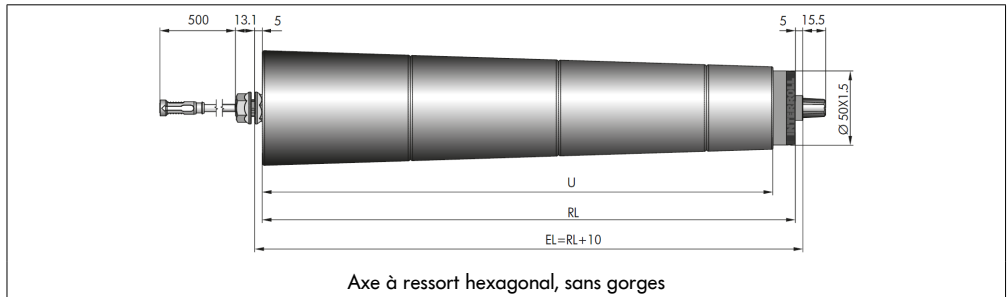


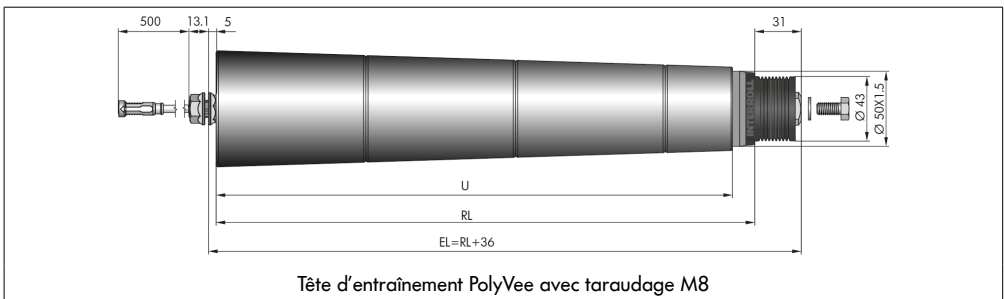
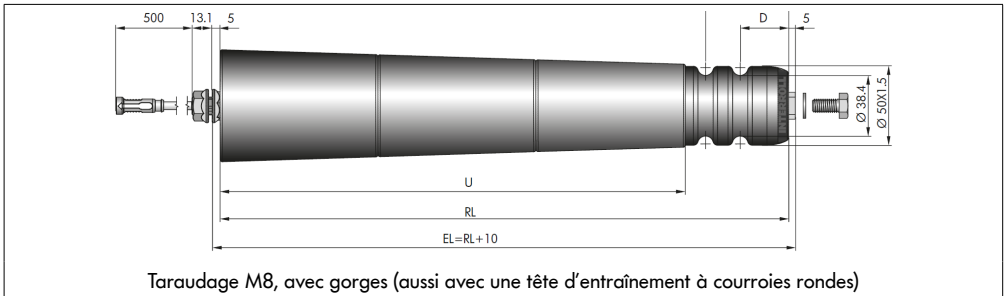
Le RollerDrive conique pour le secteur de la congélation -30 °C à 0 °C n'est disponible qu'en version 50 W.

RL = longueur de référence / longueur de commande

EL = longueur utile, écartement entre les profils latéraux

U = Longueur de tube utile : Longueur des éléments coniques





# Informations produit

Si le tube dépasse les éléments coniques, d'autres longueurs de référence peuvent être utilisées. Les diamètres minimaux indiqués se réfèrent au diamètre le plus petit du premier élément conique. Les longueurs de référence 150 mm et 200 mm ainsi que 950 mm et 1 000 mm sont sans bouchon protecteur.

Conicité : 1,8°, couleur : Gris (non antistatique)			Conicité : 1,8°, couleur : Noir (non antistatique)		
Longueur nominale conique [mm]	Min. Ø [mm]	Max. Ø [mm]	Longueur nominale conique [mm]	Min. Ø [mm]	Max. Ø [mm]
150	55,6	64,8	150	55,6	64,8
200	52,5	64,8	200	52,5	64,8
250	55,6	71,2	250	55,6	71,2
300	52,5	71,2	300	52,5	71,2
350	55,6	77,6	350	55,6	77,6
400	52,5	77,6	400	52,5	77,6
450	55,6	84,0	450	55,6	84,0
500	52,5	84,0	500	52,5	84,0
550	55,6	90,4	550	55,6	90,4
600	52,5	90,4	600	52,5	90,4
650	55,6	96,8	650	55,6	96,8
700	52,5	96,8	700	52,5	96,8
750	55,6	103,2	750	55,6	103,2
800	52,5	103,2	800	52,5	103,2
850	55,6	109,9	-	-	-
900	52,5	109,9	-	-	-
950	55,6	116,0	-	-	-
1000	52,5	116,0	-	-	-

Conicité : 2,2°, couleur : Gris (non antistatique)					
Longueur nominale conique [mm]	Min. Ø [mm]	Max. Ø [mm]	Longueur nominale conique [mm]	Min. Ø [mm]	Max. Ø [mm]
190	56,0	70,6	440	56,0	89,8
240	56,0	74,4	540	56,0	97,5
290	56,0	78,3	640	56,0	105,2
340	56,0	82,1	740	56,0	112,8

## 4 Transport et stockage

### 4.1 Transport



#### ATTENTION

Risque de blessure à cause d'un transport non conforme !

- Ne faire réaliser les travaux de transport que par un personnel spécialisé autorisé.

Il convient de respecter les consignes suivantes :

- Éviter les chocs sévères pendant le transport.
- Contrôler la présence de dommages visibles sur chaque RollerDrive après le transport.
- Photographier les pièces endommagées en cas de dommages constatés.
- En cas de dommages causés par le transport, informer immédiatement le transporteur et Interroll pour ne pas perdre d'éventuels droits à des dommages-intérêts.
- Ne pas exposer le RollerDrive à de fortes variations de température, car cela peut entraîner la formation de condensation.

### 4.2 Stockage



#### ATTENTION

Risque de blessure à cause d'un transport non conforme !

- Veiller au stockage en toute sécurité du RollerDrive.

Il convient de respecter les consignes suivantes :

- Ne pas empiler les palettes.
- Contrôler la présence de dommages visibles sur chaque RollerDrive après le stockage.

# Montage et installation

## 5 Montage et installation

### 5.1 Avertissements concernant le montage



#### AVERTISSEMENT

Risque d'électrocution !

Lors de l'utilisation du RollerDrive EC5000 48 V CC, il est possible qu'en mode générateur (tour moteur 14.500 min<sup>-1</sup> / réduction), la tension de contact admissible de 60 V CC au connecteur ouvert soit dépassée.

- Ne pas entraîner le RollerDrive non connecté par l'extérieur.



Pour le RollerDrive EC5000 24 V CC, il n'est théoriquement possible de dépasser la tension de contact admissible.



#### ATTENTION

Risque de pincement à cause des pièces rotatives !

- Ne pas placer les doigts entre le RollerDrive et les courroies rondes ou les courroies PolyVee.
- Poser un équipement de protection (p. ex. protection pour les doigts PolyVee Interroll) pour éviter que les doigts soient pincés dans la courroie PolyVee ou la courroie ronde.
- Apposer des avertissements / pictogrammes appropriés sur le convoyeur.

#### REMARQUE

Une mauvaise manipulation lors du montage du RollerDrive peut entraîner des dommages matériels ou un raccourcissement de la durée de vie du RollerDrive.

- Ne pas faire tomber le RollerDrive et ne pas l'utiliser de manière non conforme pour éviter des dommages à l'intérieur du RollerDrive.
- Contrôler la présence de dommages visibles sur chaque RollerDrive avant le montage.
- Ne pas tenir, porter ou fixer le RollerDrive par le câble pour éviter que les connexions internes soient endommagées.
- Ne pas placer le RollerDrive avec violence dans le profil latéral. Il doit être placé délicatement dans le profil latéral.
- Veiller au couple de serrage correct de l'écrou six pans du RollerDrive pour empêcher un mouvement de l'axe dans le profil latéral et une torsion du câble du RollerDrive (voir „Fixation du RollerDrive dans le profil latéral” sur la page 107).
- Ne pas tordre le câble du RollerDrive.




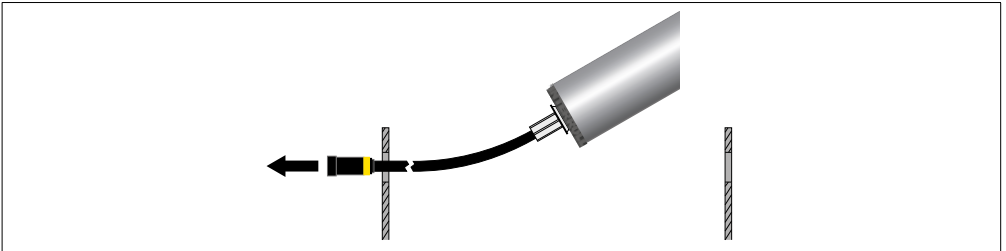
## 5.2 Monter le RollerDrive

### Insertion de l'axe de fixation

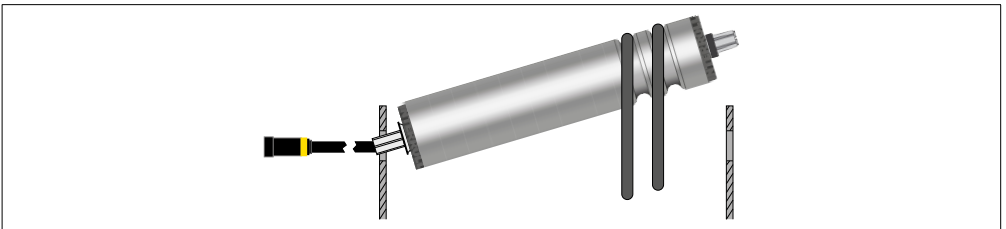
#### REMARQUE

Domage des pièces à l'intérieur du RollerDrive en raison d'une mauvaise manipulation !

- Ne pas monter encore l'écrou de fixation
  - Assurer une compensation correcte du potentiel de tous les éléments métalliques de l'unité de convoyage (RollerDrive, profil latéral, construction de support, etc.). Une mise à la terre incorrecte peut provoquer une charge statique qui peut entraîner une perturbation ou la panne anticipée du RollerDrive et/ou de la commande connectée.
- 
- Retirer l'emballage et la sécurité de transport du RollerDrive.
-  Pour assurer une compensation du potentiel du RollerDrive en toute sécurité, l'écrou de fixation doit avoir un contact direct avec la surface métallique du profil latéral mis à la terre.
- Le cas échéant, retirer l'enduit du profil latéral dans la zone de l'écrou de fixation !
  - Insérer le câble du RollerDrive et l'axe de fixation dans le trou six pans prévu (min. 11,2 mm) ou le trou rond (min. 12,2 mm) du profil latéral.



- Positionner une ou deux courroies rondes de 4 mm, 5 mm max. ou courroies PolyVee.



# Montage et installation

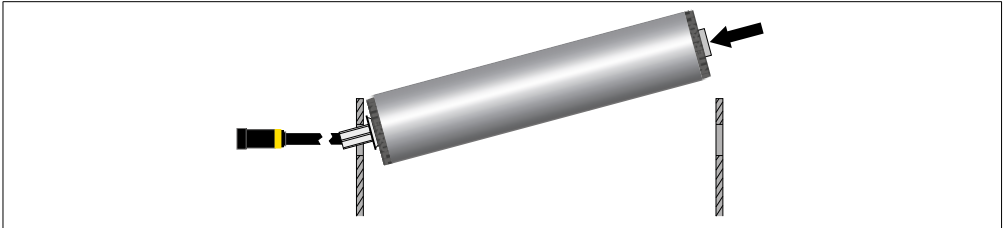
---

## Fixation du côté non câblé

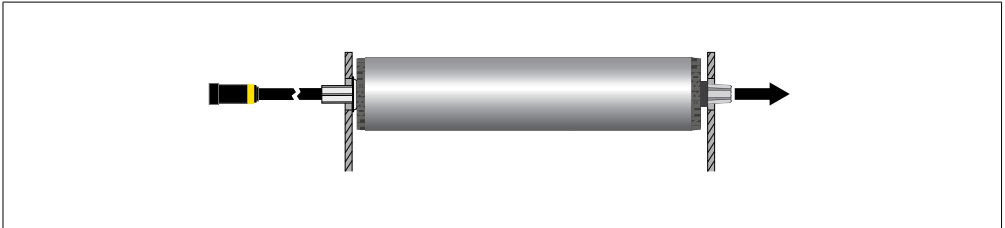
Deux exemples ci-après :

### Insertion de l'axe à ressort à six pans

- Pousser l'axe à ressort vers l'intérieur et orienter l'axe conformément à l'ouverture dans le profil latéral.

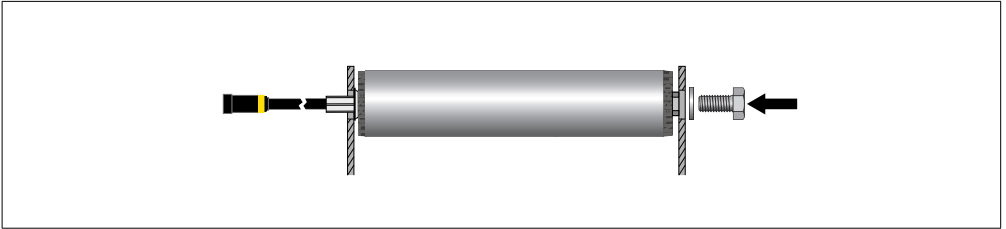


- Relâcher l'axe à ressort à six pans afin qu'il se place dans l'ouverture du profil latéral.



### Insertion de l'axe boulonné à filet intérieur

- Placer une rondelle sur une vis M8x20.
- Orienter le RollerDrive conformément à l'ouverture dans le profil latéral et insérer la vis M8 avec la rondelle dans l'ouverture. Assurer l'axe boulonné avec une clé plate contre la torsion (en fonction de la version de l'axe boulonné, largeur de clé 13 mm ou 19 mm).



- Resserrer la vis à l'aide de la clé dynamométrique avec un couple de serrage de 20 Nm.



Si les pièces fournies par Interroll ne sont pas utilisées pour la fixation du RollerDrive, il faut veiller à une fixation anti-rotation.

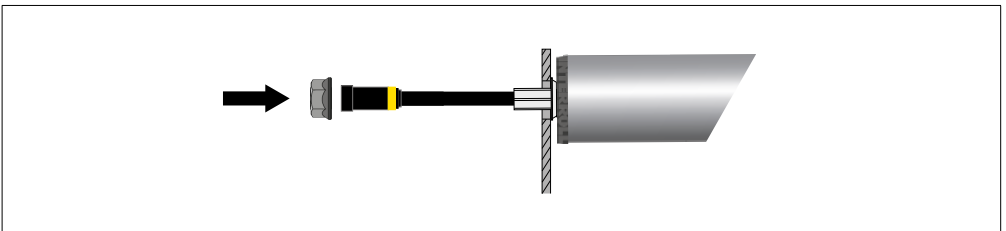
## Fixation du RollerDrive dans le profil latéral

Un écrou se trouve près du fond de rouleau sur l'axe de fixation. Cet écrou interne est prémonté et sécurisé dans la position correcte.



Ne pas tourner l'écrou interne.

- Sécuriser l'écrou interne contre la rotation à l'aide d'une clé à réaction aplatie 17 mm (accessoires).
- Approcher l'écrou inclus dans la livraison de la ligne du RollerDrive et le visser sur l'axe de fixation.



- Resserrer l'écrou à l'aide de la clé dynamométrique avec un couple de serrage de 70 Nm.



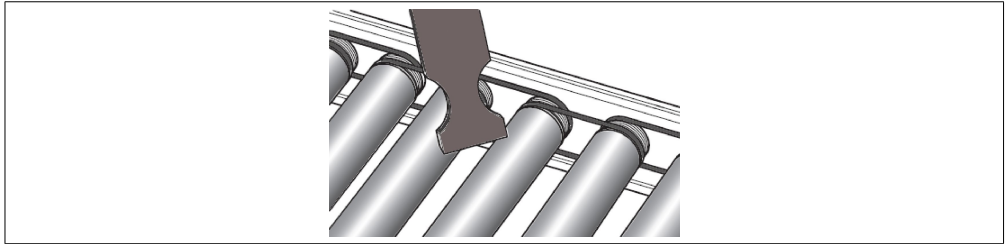
Lors du montage du RollerDrive avec des éléments coniques, l'axe de fixation doit être positionné avec un angle de 1,8° ou 2,2° par rapport au profil latéral. Pour éviter des forces de flexion sur l'axe de fixation, il faut prévoir une compensation d'angle correspondante lors de la fixation. Celle-ci n'est pas comprise dans la livraison.

# Montage et installation

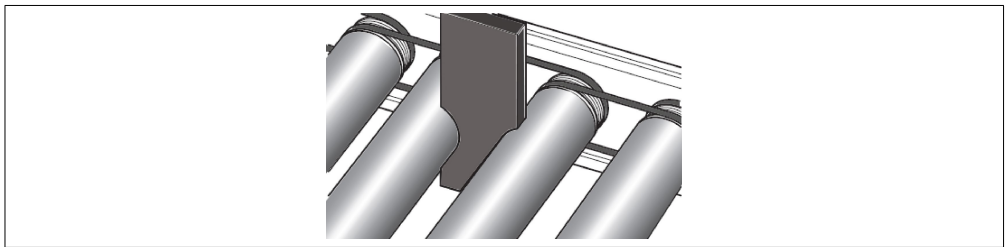
## 5.3 Outil de montage (accessoires)



Pour le montage de la courroie PolyVee, nous recommandons d'utiliser le dispositif d'aide au serrage PolyVee disponible comme accessoire.



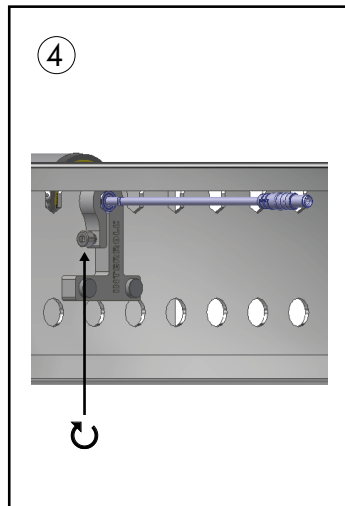
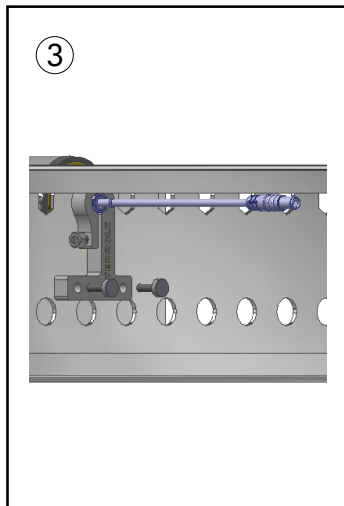
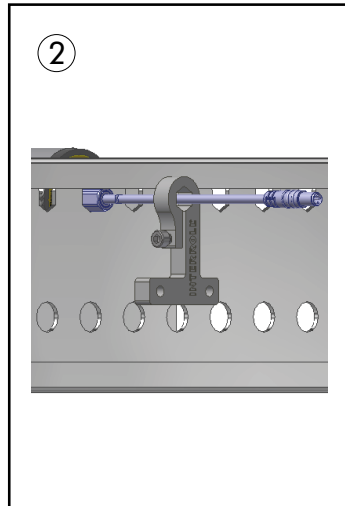
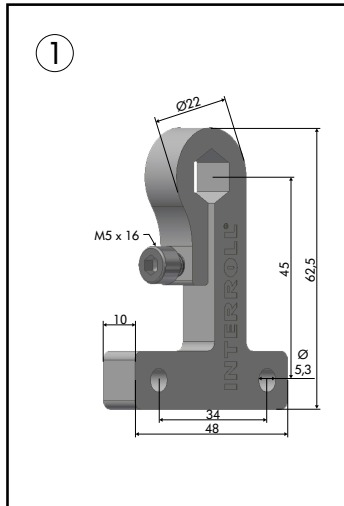
- Fixer le premier rouleau.
- Positionner le dispositif d'aide au serrage PolyVee entre le rouleau fixé et les rouleaux ou le RollerDrive pas encore fixés.
- Pivoter le dispositif d'aide au serrage PolyVee de 90° afin de positionner les rouleaux dans les rayons prévus pour cela.
- La courroie est serrée de manière optimale et un rouleau / RollerDrive est orienté correctement horizontalement et verticalement. Une fixation à filetage interne s'aligne donc avec le trou de fixation dans le profil latéral.



Le dispositif d'aide au serrage PolyVee est prévu pour des divisions de rouleaux de 75 mm et 100 mm et conçu pour des rouleaux et RollerDrive d'un diamètre de 50 mm.

## L'Interroll Interlock (accessoires)

L'Interroll Interlock est glissé sur le câble du RollerDrive et fixé sur le bâti du convoyeur.



# Montage et installation

## 5.4 Avertissements concernant l'installation électrique



### AVERTISSEMENT

Risque de pincement en raison du démarrage non contrôlé du RollerDrive !

- Avant de raccorder le RollerDrive, mettre l'installation de convoyage hors tension et la sécuriser contre un redémarrage involontaire.

### REMARQUE

Perturbation possible du signal dans la communication par bus !

- Lors de la pose du câble RollerDrive / de la rallonge, respectez les consignes de pose ! Poser les câbles à une distance suffisante des lignes électriques (400 V) et des convertisseurs de fréquence et de leurs câbles.

## 5.5 Installation électrique

### REMARQUE

Risque de dommages matériels causés au RollerDrive et/ou aux câbles du RollerDrive !

- Ne jamais faire fonctionner le RollerDrive sur courant alternatif, car cela entraîne des dommages irréparables sur l'appareil.
- Ne pas exposer la prise du RollerDrive à de trop fortes charges de traction ou de compression. Lors de la flexion du câble du RollerDrive et lors du passage en force de l'écrou de fixation, l'isolation du câble peut être endommagée ce qui peut entraîner la défaillance du RollerDrive.
- Rayons de courbure autorisés : flexion simple 15 mm, flexion multiple 50 mm.

### Instructions de sécurité UL et CSA

- A utiliser uniquement dans les applications NFPA 79 !
- EC5000 24V DC:  
Convient aux circuits non susceptibles délivrer plus de 200 ampères symétriques eff., maximum 24 V.
- EC5000 48V DC:  
Convient aux circuits non susceptibles délivrer plus de 125 ampères symétriques eff., maximum 48 V.  
Avec une protection par un disjoncteur à pouvoir de coupure nominal d'au moins 35 ampères symétriques eff., maximum 480 V.
- La protection intégrale contre les courts-circuits à l'état solide n'assure pas la protection des circuits de dérivation. La protection des circuits de dérivation doit être assurée conformément au Code national de l'électricité et à tout autre code local additionnel resp. au code Canadien de l'électricité, Première Partie.
- Protection interne contre les surcharges Fonctionne avant d'atteindre les 130% du courant de pleine charge du moteur.
- La détection de la surchauffe du moteur est nécessaire.

## Conditions d'acceptation

- Le connecteur d'alimentation est uniquement adapté au câblage d'usine.
- Les tests de court-circuit et de panne de composants ont été effectués sur un réseau non calibré (moins de 5kA), en utilisant l'alimentation électrique n° de cat. PSI 9080-200 (puissance nominale max. 80 V, max. 200 A et max. 6 kW) fabriquée par EPS. L'acceptabilité doit être jugée lors de l'utilisation finale.
- Ces dispositifs doivent être installés du côté de la charge de l'alimentation électrique Réf. PSI 9080-200 fabriqué par EPS et l'un des suivants:
  - A. Fusible de type supplémentaire, (E10480.JDYX/2/8) Cat. No. 452, by Littlefuse Inc (rated 5 A, 125 Vdc; I.R. 50 A, 60 Vdc or rated 7 A, 75 Vdc; I.R. 50 A, 60 Vdc)  
ou
  - B. Interface MultiControl, modèle 1103563 (AI) ou modèle 1103564 (BI) fabriqué par Interroll Engineering GmbH (E496888).
- Ces dispositifs ont été évalués conformément à la norme UL 50/50E et satisfont aux exigences d'une enceinte de type 2.



Nous recommandons d'utiliser les bloc d'alimentation High Performance HP5424 ou HP5448 (24 V DC / 48 V DC) Interroll

## Installation

- Brancher la prise du RollerDrive au port correspondant de la commande Interroll.



Si aucune carte de pilotage Interroll n'est utilisée, un câble adaptateur doit être utilisé pour le raccordement du RollerDrive à la commande (affectation des broches „Prise du RollerDrive AI” sur la page 94/95). Si la prise du RollerDrive est coupée, la garantie est annulée !

Si une rallonge est utilisée pour raccorder le RollerDrive, sa longueur ne doit pas dépasser 10 m.

# Mise en service et fonctionnement

---

## 6 Mise en service et fonctionnement

### 6.1 Avertissements concernant la mise en service et le fonctionnement



#### AVERTISSEMENT

Risque de pincement et risque dus aux pièces rotatives à cause du démarrage non contrôlé du RollerDrive !

- Ne passez pas la main entre le RollerDrive et le support de disque.
- Ne pas retirer l'équipement de protection.
- Tenir les doigts, les cheveux et les vêtements amples à distance du RollerDrive.

#### REMARQUE

Domage causé au RollerDrive par l'induction !

- Ne pas déplacer les objets à la main sur le convoyeur à rouleaux.
- Ne pas tourner le RollerDrive à la main.

### 6.2 Mise en service

#### Contrôle avant la première mise en service

- S'assurer qu'il n'y a pas de zones de contact entre les objets et les pièces rotatives ou mobiles.
- S'assurer que toutes les vis sont fixées conformément aux spécifications.
- S'assurer qu'aucune zone dangereuse supplémentaire n'est créée par les interfaces avec d'autres composants.
- S'assurer que le câblage correspond aux spécifications et aux dispositions légales.
- S'assurer qu'aucune personne ne se tient dans les zones dangereuses de l'installation de convoyage.
- Vérifier tous les équipements de protection.



Vous trouverez des informations sur la mise en service dans la notice d'utilisation de la commande Interroll utilisée ou de la commande moteur utilisée.



## 6.3 Fonctionnement

### Contrôle avant chaque mise en service

- S'assurer qu'aucune personne ne se tient dans les zones dangereuses de l'installation de convoyage.
- S'assurer que le RollerDrive n'est pas bloqué.
- Contrôler la présence de dommages visibles sur le RollerDrive.
- Vérifier tous les équipements de protection.
- Spécifier précisément et surveiller la pose du produit transporté.



Respecter les conditions ambiantes pendant le fonctionnement (voir „Données techniques“ sur la page 84).

## 6.4 Procédure en cas d'accident ou de panne

- Arrêter immédiatement l'installation de convoyage, la mettre hors tension et la sécuriser contre une remise en marche involontaire.
- En cas d'accident : fournir les premiers soins et appeler les secours.
- Informer le supérieur hiérarchique responsable.
- Faire réparer la panne par un personnel spécialisé.
- Ne remettre l'installation de convoyage en service qu'après autorisation du personnel spécialisé.

# Maintenance et nettoyage

---

## 7 Maintenance et nettoyage



### AVERTISSEMENT

Risque de blessure à cause d'un transport non conforme !

- Ne faire réaliser les travaux de maintenance et de nettoyage que par un personnel (spécialisé) autorisé et formé.
  - Ne réaliser les travaux de maintenance et de nettoyage que hors tension. Mettre le RollerDrive hors tension et le sécuriser contre une remise en marche involontaire.
  - Installer des panneaux de signalisation qui montrent que les travaux de maintenance ou de nettoyage sont réalisés.
- 

### 7.1 Maintenance



### AVERTISSEMENT

Risque de blessure dû à des mouvements incontrôlés!

Un endommagement du câble du RollerDrive peut entraîner un comportement incontrôlé (démarrage, mauvais sens de rotation, ...)!

- Vérifiez le câble / la rallonge du RollerDrive toutes les semaines pour voir s'il est endommagé.
- 

### Vérification du RollerDrive

Si le RollerDrive n'est pas sécurisé conformément aux instructions d'installation (voir „Monter le RollerDrive” sur la page 105), il peut tourner dans le profil latéral. Ainsi, le câble du RollerDrive peut tourner et être endommagé.

- Contrôler un mois après le montage du RollerDrive la tenue fixe dans le profil latéral et le cas échéant, resserrer avec la clé dynamométrique.
- Contrôler chaque mois la présence de dommages visibles sur le RollerDrive.
- S'assurer une fois par an que l'axe du RollerDrive est correctement sécurisé dans le profil latéral.

### Remplacement du RollerDrive

Si un RollerDrive est endommagé ou défectueux, il doit être remplacé.



N'essayez pas d'ouvrir le RollerDrive !

- Installer un nouveau RollerDrive (voir „Démontage” sur la page 116 et „Monter le RollerDrive” sur la page 105).

## 7.2 Nettoyage

- Retirer les corps étrangers et les saletés grossières de la surface des rouleaux.
- Retirer les saletés plus légères avec un chiffon humide.
- Ne pas utiliser d'outil coupant pour nettoyer le RollerDrive.

## 8 Aide en cas de pannes



### AVERTISSEMENT

Risque de blessure à cause d'un transport non conforme !

- Ne faire réaliser les travaux de transport que par un personnel spécialisé autorisé.
- Ne procéder à la recherche d'erreur que hors tension
- Mettre le RollerDrive hors tension et le sécuriser contre une remise en marche involontaire.

### 8.1 Recherche d'erreurs

Panne	Cause possible	Réparation
Le RollerDrive ne fonctionne pas.	Pas / mauvaise alimentation électrique.	Contrôler l'alimentation électrique 24 V DC / 48 V DC.
	La prise du RollerDrive n'est pas correctement branchée.	Vérifier le branchement du câble.
	Mauvaise sélection d'interface AI / BI	Connectez le bon RollerDrive
Le RollerDrive tourne dans le mauvais sens ou avec une vitesse erronée.	Les paramètres de vitesse et de sens de rotation ne sont pas corrects	Changer les paramètres de la commande Interroll.
	Mauvaise valeur de référence de tension pour la vitesse, si le RollerDrive ne fonctionne pas avec une commande Interroll.	Contrôler la tension de référence.
Bruits inhabituels en provenance du RollerDrive.	Moteur ou réducteur endommagé.	Remplacement du RollerDrive
Fonctionnement du RollerDrive interrompu.	Câble du RollerDrive endommagé.	Contrôler la présence de dommages sur le câble du RollerDrive. Si le câble est défectueux, remplacer le RollerDrive.
	RollerDrive surchargé.	(voir „Protection contre la surcharge“ sur la page 76)

# Démontage et élimination

---

## 9 Démontage et élimination



### ATTENTION

Risque de blessure à cause d'un transport non conforme !

- Ne faire réaliser les travaux de transport que par un personnel spécialisé autorisé.
  - Ne démonter le RollerDrive que hors tension.
  - Mettre le RollerDrive hors tension et le sécuriser contre une remise en marche involontaire.
- 

### 9.1 Démontage

- Séparer le câble du RollerDrive de la commande.
- Retirer l'écrou externe de l'axe du moteur.
- Si le RollerDrive est doté d'un axe boulonné à filetage interne, retirer la vis de l'axe.
- Sortir le RollerDrive du profil latéral.

### 9.2 Élimination



En principe, l'exploitant est responsable de l'élimination professionnelle et écologique des produits.

La mise en œuvre de la directive DEEE 2012/19/UE dans les lois nationales doit être respectée.

Alternativement, Interroll propose de reprendre les produits.

Contact:

[de10\\_customerservice@interroll.com](mailto:de10_customerservice@interroll.com)

## 10 Annexe

### 10.1 Accessoires

#### Cartes de pilotage Interroll

Article	Référence article
MultiControl AI	S-1103563
MultiControl BI	S-1103564

#### Bloc d'alimentation High Performance Interroll

Article	Référence article
HP5424	S-1113899
HP5448	S-1113900

#### Rallonge RollerDrive

Article	Référence article
Rallonge EC5000 (2 m)	S-1113897

# Annexe

## Courroie PolyVee

Nombre de stries	Pas des rouleaux +/- 1 mm	Max. Poids du produit transporté en kg	Référence article	Désignation de la courroie
2	60	50	S-1111211	256
2	75		S-1111217	286
2	90		S-1111220	314
2	100		S-1111222	336
2	120		S-1111224	376
3	60	300	S-1111216	256
3	75		S-1111219	286
3	90		S-1111221	314
3	100		S-1111223	336
3	120		S-1111225	376

## Dispositif d'aide au serrage PolyVee

Article	Référence article
Dispositif d'aide au serrage PolyVee	S-1101272

## Protection pour les doigts PolyVee (rouleau de 50 mm uniquement)

Article	Référence article
Division de rouleaux 75 mm	S-8863
Division de rouleaux 100 mm	S-8864

## Outil

Article	Référence article
Douille de fixation	S-1101248
Clé plate de contre-serrage SW13 / SW17	S-1132933
Interlock	S-1120484

## 10.2 Déclaration de conformité

### Déclaration de conformité UE

Directive CEM 2014/30/UE

Directive RoHS 2011/65/UE

#### Le fabricant

Interroll Engineering GmbH  
Höferhof 16  
D-42929 Wermelskirchen  
Allemagne

**déclare par les présentes que la « quasi-machine »**

- **RollerDrive EC5000**

**est conforme aux dispositions applicables et dispose du marquage CE lié conformément aux directives susmentionnées.**

Liste des normes harmonisées appliquées :

EN ISO 12100:2010

EN 61800-3:2004 + A1:2012

EN IEC 63000:2018

### Déclaration d'incorporation

Directive machines 2006/42/CE

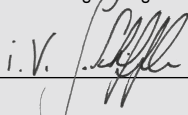
En complément des informations susmentionnées, le fabricant déclare :

Que les exigences de protection de la sécurité et de la santé ont été appliquées conformément à l'Annexe I (1.1.2, 1.1.3, 1.1.5, 1.2.6, 1.3.7, 1.3.8, 1.5.1, 1.5.2, 1.5.4, 1.5.8, 1.5.9, 1.5.10, 1.5.11, 1.6.1, 1.6.3, 1.7.2, 1.7.3, 1.7.4). Que les documents techniques spécifiques ont été établis conformément à l'Annexe VII B et sont transmis le cas échéant à l'autorité compétente.

**Que la mise en service de la quasi-machine est interdite tant que la conformité de la machine complète/l'installation dans laquelle elle est incorporée n'est pas déclarée avec la directive machines CE.**

Habilité à élaborer la documentation technique :

Interroll Engineering GmbH, Höferhof 16, D-42929 Wermelskirchen

i.v. 

Jörg Schiffler  
Product Compliance Officer Interroll Engineering GmbH  
Wermelskirchen, 24.01.2019

## 10.3 UL déclaration de conformité

### CERTIFICATE OF COMPLIANCE

Certificate Number 20190517-E363683  
Report Reference E363683-20190509  
Issue Date 2019-MAY-17

Issued to: Interroll Engineering GmbH  
Hoeferhof 16  
42929 Wermelskirchen GERMANY

This certificate confirms that representative samples of COMPONENT - POWER CONVERSION EQUIPMENT  
See Addendum Page for Models



Have been investigated by UL in accordance with the component requirements in the Standard(s) indicated on this Certificate. UL Recognized components are incomplete in certain constructional features or restricted in performance capabilities and are intended for installation in complete equipment submitted for investigation to UL LLC.

Standard(s) for Safety: UL 61800-5-1, Adjustable Speed Electrical Power Drive Systems - Part 5-1: Safety Requirements - Electrical, Thermal and Energy.  
CAN/CSA C22.2 No. 274-17, Adjustable Speed Drives.

Additional Information: See the UL Online Certifications Directory at <https://iq.ulprospector.com> for additional information.

This *Certificate of Compliance* does not provide authorization to apply the UL Recognized Component Mark. Only the UL Follow-Up Services Procedure provides authorization to apply the UL Mark.

Only those products bearing the UL Recognized Component Mark should be considered as being UL Certified and covered under UL's Follow-Up Services.

Look for the UL Recognized Component Mark on the product.

Bruce Mehrwitz, Director North American Certification Program  
UL LLC

Any information and documentation involving UL Mark services are provided on behalf of UL LLC (UL) or any authorized licensee of UL. For questions, please contact a local UL Customer Service Representative at <http://ul.com/about/locations>







---

# INSPIRED BY EFFICIENCY

UL | 10/2022 | Version 4.0