



INSPIRED BY
EFFICIENCY



INTERROLL CASSETTE SYSTEM

INTERROLL CASSETTE SYSTEM

Drum motor drive system

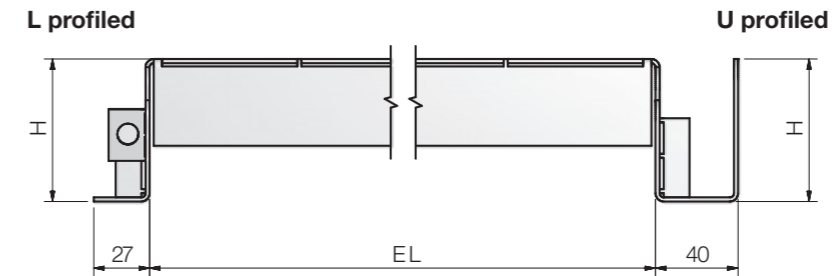
Product Description

The Interroll Cassette system is a drum motor drive system to drive a conveyor belt in supermarket checkouts and in equipment used in supermarkets, including Retail Based Reversed Vending Machinery. The Interroll Cassette system includes the Patented Quick Tension/release idler system for easy installation and change of the conveyor belt.

Technical Data

General technical data	
Design	U or L profiled Standard: Idler belt-adjustment Standard: Drum motor belt-adjustment (one side only, left is standard)
Load capacity	Small: 0 - 50 kg Medium: 50 - 100 kg Large: 100 - 150 kg > 150 kg on request
Cassette belt speed	Standard: 0.15 / 0.17 / 0.19 m/s Option: 0.11 / 0.13 / 0.21 / 0.23 / 0.25 / 0.28 / 0.30 / 0.34 m/s On request: < 0.11 and > 0.34 m/s Belt speed data are based on 1-phase drum motor speed
Length C/C	500 to 2,980 mm
Width EL	300 to 700 mm
Min. ratio length/width	2
Inclined/declined	Please contact your Interroll customer consultant
Ambient temperature	+5 to +40 °C
Drum Motor drive and Idler	
Voltage	1 x 230 V 50 Hz, 3 x 230 V 50 Hz, 3 x 400 V 50 Hz Option: 1 x 115 V 60 Hz, 3 x 230 V 60 Hz, 3 x 460 V 60 Hz
Speed	Drum motor speed is typically 5% lower than belt speed
Ø Drive	81 mm or 113 mm
Ø Idler pulley	Standard: 50 mm (Interroll 1750 idler) Option: 40 mm On request: < 40 mm
Materials	
Cassette	2 mm galvanised steel
Drum motor	Shell: surface protected End housings and shaft caps: aluminium
Idler pulley	Shell: galvanised End housings and endcaps: techno-polymer
Belt	Standard black PVC/PET, 2 mm, 2-ply, $K_{1\%} = 6-8$ N/mm Pretension of belt 0.2 - 0.3 % Other belt types on request

Dimensions



Drum motor	Height H in mm	
	L-profile	U-profile
80C	69.0	69.0
113C	85.5	75.5

Note: Standard belt width is equal to EL - 8

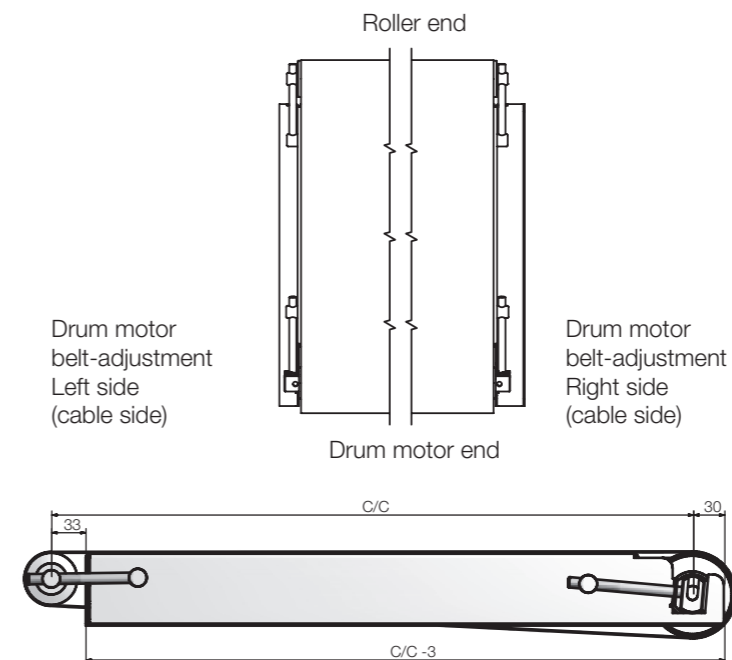


Fig.: Cassette shown as standard left design

Ordering Information

Please provide the following information:

- C/C length
- EL width
- Design: U or L profiled
- Define: Left or right (important for cable outlet side)
- Ø Drum motor and Ø Idler pulley
- Required belt speed
- Load on the cassette
- Supply voltage and frequency
- Belt type (if not standard)
- Accumulation on belt

Note:

- Cable and capacitor to be ordered separately
- The cassette can be connected for operation in both directions



INSPIRED BY
EFFICIENCY

Europe

Austria

Tel +49 2193 23 187
at.sales@interroll.com

Belgium

Tel. +49 2193 23 259
be.sales@interroll.com

Czech Republic

Interroll CZ, s.r.o.
Na Rádku 7/3172
69002 Břeclav
Czech Republic
Tel + 420 519 330 210
cz.sales@interroll.com

Denmark

Interroll Nordic A/S
Hammerholmen 2-6
2650 Hvidovre
Denmark
Tel + 45 36 88 33 33
dk.sales@interroll.com

Finland

Interroll Nordic A/S
Martinkyläntie 53
01720 Vantaa
Finland
Tel + 358 9 54 94 94 00
fi.sales@interroll.com

France

Interroll SAS
Z.I. De Kerannou-BP34
29250 Saint-Pol-de-Leon
France
Tel + 33 2 98 24 4100
fr.sales@interroll.com

Germany

Interroll Fördertechnik GmbH
Höferhof 16
42929 Wermelskirchen
Germany
Tel + 49 2193 23 0
de.sales@interroll.com

Hungary

Lörincz Kft.
Kastély U.27
Pf. 57
2045 Törökbálint
Hungary
Tel + 36 23 337 891
hu.sales@interroll.com

Iceland

IBH ehf
Dugguvogur 10
104 Reykjavík
Iceland
Tel + 354 562 6858
ingi@ibh.ehf.is

Italy

Rulli Rulmecca S.P.A.
Via Arturo Toscanini 1
24011 Almè (Bg)
Italy
Tel + 39 035 43 00 111
vendite@rulmecca.it

Luxembourg

Tel +49 2193 23 259
be.sales@interroll.com

Netherlands

Tel +49 2193 23 151
nl.sales@interroll.com

Norway

Interroll A/S
Kobbervikdalen 65
3036 Drammen
Norway
Tel + 47 32 88 26 00
no.sales@interroll.com

Poland

Interroll Polska Sp. z o.o.
ul. Płochocińska 85
03-044 Warszawa
Poland
Tel +48 22 741 741 0
pl.sales@interroll.com

Portugal

Rulmecca de Portugal, LDA
Parque Industrial do Tortosendo
Edifício Parkurbis, Loja 7
Apartado 113
6200-865 Tortosendo
Portugal
Tel +351 275 33 07 80
rulmecca@rulmecca-interroll.pt

Romania

Krako International SRL
Str. Sfanta Maria 1-5
Bl. 10A4
Sc 1 Apt 4 Sector 1
001494 Bucuresti
Romania
Tel + 40 21 260 2050
ro.sales@interroll.com

Slovenia

3-TEC, prehrambena-
tehnologija-hlajenje
Dravska ulica 7
1000 Ljubljana
Slovenija
Tel + 386 1 56 56 370
si.sales@interroll.com

Spain

Interroll España S.A.
Parc Tecnològic del Vallès
C/Dels Argenters, 5 Edificio 1
Bp y Cp
08290 Cerdanyola del Vallès
Barcelona
Spain
Tel + 34 90 211 0860
es.sales@interroll.com

Sweden

Interroll Nordic A/S
Karlsrovägen 64
302 41 Halmstad
Sweden
Tel + 46 35 227 077
se.sales@interroll.com

Switzerland

Tel. +49 2193 23 190
ch.sales@interroll.com

United Kingdom

Interroll Ltd.
Brunel Road
Corby, Northants NN17 4UX
United Kingdom
Tel + 44 1536 200 322
gb.sales@interroll.com

Africa

South Africa

Interroll South Africa (Pty) Ltd
Box 327
Isando 1600
Gauteng
South Africa
Tel + 27 11 281 99 00
za.sales@interroll.com

North and South America

Canada

Interroll Checkstand
8900 Keele Street
Unit 2 & 3
Concord, Ontario L4K 2N2
Canada
Tel +1 905 660 4426
ca.sales@interroll.com

Interroll Canada Ltd.
1201 Gorham Street
Newmarket Ontario L3Y 8Y2
Canada
Tel +1 905 727 33 99
ca.sales@interroll.com

USA

Interroll Corporation
3000 Corporate Drive
Wilmington, N.C. 28405
USA
Tel +1 910 799 1100
us.sales@interroll.com

Interroll Automation LLC
5035 Keystone Boulevard
Jeffersonville, IN 47130
USA
Tel +1 812 284 1000
us.sales@interroll.com

Interroll Dynamic Storage, Inc.
232 Duncan Circle
Hiram, GA 30141
USA
Tel +1 770 943 15 41
ca.sales@interroll.com

Brazil

Interroll Logística
Elementos para Sistemas
Transportadores Ltda
Rua Dom João VI
555 - Parque Industrial SA
Pindamonhangaba - SP
CEP 12412- 805
Brazil
Tel + 55 (0)12 3648 8021
br.sales@interroll.com

Asia

China

Interroll (Suzhou) Co. Ltd.
Block B & C
Ecological Science Hub
No. 1 Ke Zhi Road
Suzhou Industrial Park
Jiangsu Province
China
Postal Code: 215021
Tel + 86 512 62560383
cn.sales@interroll.com

India

Interroll Drives and Rollers
India Pvt. Ltd.
No. 276, 4th main, 4th phase
Peenya Industrial Area
Bangalore-560058
India
Tel + 91080 41272666
in.sales@interroll.com

Israel

Comtrans-Tech Ltd.
P.O.B. 17433
Tel-Aviv 61174
Israel
Tel + 972 54 4272747
il.sales@interroll.com

Japan

Interroll Japan Co. Ltd.
302-1 Shimokuzawa
Midori-ku
Sagamihara-shi
Kanagawa 252- 0134
Japan
Tel + 81 42 764 2677
jp.sales@interroll.com

Korea

Interroll (Korea) Co. Ltd.
Rm 301
Dongsan Bldg. 333-60
Shindang-Dong
100-826 Choong Ku, Seoul
Tel + 82 2 2231 19 00
kr.sales@interroll.com

Singapore

Interroll (Asia) Pte. Ltd.
386 Jalan Ahmad Ibrahim
Jurong 629156 Singapore
Republic of Singapore
Tel + 65 6266 6322
sg.sales@interroll.com

Sri Lanka

Colombo Machinery
& Equipment Ltd.
No: 102, Fife Road
Colombo 05
Sri Lanka
Tel + 94 11 250 0078/79
lk.sales@interroll.com

Taiwan

First Auto-Transfer Equipment
Co. Ltd
8F-3, No: 65, Song De Road
Hsin Yi District
Taipei 11076
Taiwan
Tel + 886 2 27 59 88 69
tw.sales@interroll.com

Thailand

Interroll (Thailand) Co. Ltd.
700/685, Moo 1
Amata Nakorn
Panthong, Chonburi
20160
Thailand
Tel + 66 3 844 7448
th.sales@interroll.com

Australia and New Zealand

Australia

Interroll Australia Pty. Ltd.
70 Keon Parade
Thomastown
Victoria 3074
Australia
Tel + 61 3 94 60 21 55
au.sales@interroll.com

New Zealand

Automation Equipment
(NZ) Ltd.
26 Tawn Place,
Pukete, Hamilton
New Zealand
Tel + 64 (7) 849 0281
nz.sales@interroll.com

Headquarter

Interroll (Schweiz AG)
+ 41 91 850 25 25
info@interroll.com

www.interroll.com