

MultiControl AI / BI

Analogue Interface / Bus Interface – 24 V / 48 V DC



EN - Operating Manual

3

FR - Notice d'utilisation

69



Manufacturer details

Europe:

Interroll Software & Electronics GmbH
Im Südpark 183
4030 Linz
AUSTRIA

www.interroll.com

USA / Canada:

Interroll Corporation
3000 Corporate Drive
USA - Wilmington, NC 28405
Tel. +1 (910) 799 1100
Toll Free (800) 830 9680
www.interroll.us

Content

We strive for the accuracy, timeliness and completeness of the information and have carefully prepared the contents in this document. Regardless of this, errors and changes are expressly reserved.

Copyright/industrial property rights

Any texts, images, graphics and the like, as well as their arrangement, are subject to protection under copyright and other laws of protection. The reproduction, modification, transmission or publication of any part of this document or of the entire document in any form is prohibited.

The document serves the exclusive purposes of information and of operation in accordance with the regulations and does not justify any counterfeiting of the products concerned.

All signs contained in this document (protected marks, such as logos and trade names) are the property of Interroll Holding AG, CH or of third parties and must not be used, copied or distributed without prior written consent.

1	About this document	7
1.1	Information about this operating manual	7
1.2	Warning notices in this document	8
1.3	Symbols	9
2	Safety-related information	10
2.1	State of the art	10
2.2	Proper use	10
	Application field	10
2.3	Improper use	11
2.4	Qualification of personnel	11
2.5	Dangers	12
	Injury to persons	12
	Electricity	12
	Work environment	12
	Faults in operation	12
	Maintenance	12
	Unintentional start-up	12
2.6	Interface to other devices	13
2.7	Functional safety	13
	Information on the performance level according to DIN EN ISO 13849-1: 2015	13
2.8	Operating modes/operating phases	14
	Standard operation	14
	Special operation	14
2.9	Applicable documentation	14
3	Product information	15
3.1	Product description	15
	Energy recovery/overvoltage protection	15
	Overload protection	15
3.2	Setup	16
	MultiControl AI and BI	16
	Base plate	17
3.3	Scope of delivery	17
3.4	Rating plate	18
3.5	Technical specifications	19
3.6	Dimensions	20

Contents

4	Transport and storage	21
4.1	Transport	21
4.2	Storage	21
5	Assembly and installation	22
5.1	Warning notices for installation	22
5.2	Assembling the MultiControl	22
	Initial assembly	22
	Subsequent assembly	24
5.3	Warning notices for electrical installation	25
5.4	Electrical installation	26
	Connecting the power supply	26
	Connecting the RollerDrive	27
	RollerDrive AI	27
	RollerDrive BI	27
	Connecting the bus	28
	Connecting the sensors	29
	Overview of connections	30
6	Start-up and operation	31
6.1	Start-up	31
	Check before the initial start-up	31
6.2	Configuration options	31
6.3	MultiControl user interface	32
	Prerequisites	32
	Starting the user interface	32
	"MultiControl Overview" home page	34
	Network Settings	35
	Motor Settings	36
	Motor Information – MultiControl BI only	38
	Motor Monitor – MultiControl BI only	39
	Motor Test for EC5000	40

Contents

	Digital I/O States	41
	Digital I/O Settings	42
	Control Program Settings	44
	Error State	45
	Error Handling Settings	45
	MultiControl Error Log	47
	Teach-in	48
	Plug&Play	48
	CAN Gateway	48
	Service Change Password	49
	Service Restore Factory Settings	49
	Service MultiControl Restart	50
	Service Version Information	50
	Service – Up-/Download	51
6.4	Magnetic sensor	52
6.5	Service data objects (SDO)	52
6.6	Operation	53
	Check before every start-up	53
	Start	53
	Stop	53
6.7	Procedure in the event of accidents or faults	54
7	Maintenance and cleaning	55
7.1	Maintenance	55
	Checking the MultiControl	55
	Replacing the MultiControl	55
7.2	Cleaning	56
8	Assistance in the event of faults	57
8.1	Understanding the LEDs	57
	General LEDs	57
	Connection LEDs	59
8.2	Troubleshooting	59
	Error codes	62

Contents

9	Decommissioning and disposal	65
9.1	Decommissioning	65
9.2	Disposal	65
10	Appendix	66
10.1	Accessories	66
10.2	Declarations of Conformity	67

1 About this document

1.1 Information about this operating manual

This operating manual describes the following versions of the Interroll MultiControl:

- Interroll MultiControl AI with analogue interface
- Interroll MultiControl BI with CANopen bus interface

Throughout this manual, the term "control system" is used as an alternative for referring to these models.

The operating manual is a component of the product and contains important advice and information regarding the different operating phases of the MultiControl. It describes the MultiControl at the time of shipping from Interroll.

The currently applicable version of this operating manual can be found online at:

www.interroll.com

All the information and advice in this operating manual has been compiled with respect to applicable standards and regulations as well as the current state of the art.

- To ensure safe and faultless operation and to fulfil any warranty claims that may apply, read this operating manual first and observe its instructions.
- Keep this operating manual within close reach of the MultiControl.
- Pass this operating manual onto every subsequent owner or user.



The manufacturer assumes no liability for damage and malfunctions that occur as a result of non-compliance with this operating manual.



Should you still have any unanswered questions after reading this operating manual, please contact Interroll customer service. Contact details for your region can be found online at www.interroll.com/contact/

Please direct any comments and suggestions regarding our operating manuals to manuals@interroll.com

About this document

1.2 Warning notices in this document

Warning notices are provided in the context in which danger can occur and describe the nature of the danger in question. They are structured according to the following examples:



SIGNAL WORD

Type and source of hazard

Consequence(s) in the event of non-compliance

➤ Measure(s) for avoiding hazard

Signal words indicate the type and severity of the consequences if measures to avoid the hazard are not observed.



DANGER

Denotes an imminent hazard.

If measures to avoid the hazard are not observed, death or severe injury will occur.

➤ Preventive measures



WARNING

Denotes a potentially hazardous situation.

If measures to avoid the hazard are not observed, death or severe injury may occur.

➤ Preventive measures



CAUTION

Denotes the possibility of a hazardous situation.

If measures to avoid the hazard are not observed, minor or moderate injury may occur.

➤ Preventive measures

NOTE

Denotes a situation that can lead to material damage.

- Preventive measures

1.3 Symbols



This symbol indicates useful and important information.

- ✓ This symbol indicates a requirement that must be fulfilled before carrying out assembly or repair work.



This symbol indicates general information relating to safety.

- This symbol indicates an action that needs to be performed.

- This symbol indicates a listed item.



This symbol indicates information concerning the MultiControl with UL / CSA approval.

Safety-related information

2 Safety-related information

2.1 State of the art

The Interroll MultiControl has been constructed with respect to applicable standards and the current state of the art and has been delivered in a condition that is safe to operate. Nevertheless, hazards can occur as a result of use.



Non-compliance with the instructions in this operating manual can result in life-threatening injuries.

In addition, the applicable local accident prevention regulations for the area of application and general safety regulations must be adhered to.

2.2 Proper use

The MultiControl may only be used in an industrial environment for industrial purposes within the stipulated performance limits that are given in the technical specifications.

It controls up to four Interroll RollerDrives or VDC motors and must be integrated into a conveyor unit or conveyor system before commissioning.



A suitable adapter must be used for connecting a VDC motor.

The MultiControl AI, 24 V DC can also be used to control the Interroll PalletControl.

Application field

The following applications are possible:

Use of a PLC	Function of a PLC	Function of the MultiControl
No	None	
Yes	<ul style="list-style-type: none">• Influence on ZPA logic• Tracking of material to be conveyed• Error diagnosis	Implementation of PLC specifications
Yes	<ul style="list-style-type: none">• The PLC program controls all connected RollerDrives• Tracking of material to be conveyed• Error diagnosis	Function as network card Sends the status of all sensors and the RollerDrive and, if necessary, error information to the PLC

2.3 Improper use

Any use that goes beyond the proper use is considered improper, unless this has been authorised by Interroll Engineering GmbH where applicable.

The equipment must not be installed in areas in which substances could form explosive atmospheres/dust atmospheres or for application in the medical/pharmaceutical sector.

It is considered improper use to install the equipment in exposed spaces that are open to potentially adverse weather conditions, or areas in which the technology would suffer from the prevailing climatic conditions and could potentially malfunction as a result.

The MultiControl is not intended for use by private end users. The equipment must not be used in a residential environment without further examination and without the use of EMC protective measures that have been adapted accordingly.

It must not be used as a safety-relevant component or for performing safety-relevant functions.

2.4 Qualification of personnel

Non-qualified personnel are unable to identify risks and are therefore exposed to higher levels of danger.

- Only qualified personnel may be assigned with the tasks outlined in this operating manual.
- The operating company is responsible for ensuring that personnel adhere to the locally valid rules and regulations for working in a safe and risk-aware manner.

This operating manual is intended for the following target audiences:

Operators

Operators are trained in how to operate and clean the Interroll MultiControl and follow the safety regulations.

Service engineers

The service engineers have a specialist technical education or have successfully completed a training course from the manufacturer. They carry out repair and maintenance work.

Qualified electricians

Qualified electricians have a specialist technical education. Moreover, due to their knowledge and experience as well as knowledge of applicable regulations, they are able to carry out work on electrical equipment in an appropriate manner. They are able to identify hazards independently and prevent electrical damage to persons and property.

All work on electrical equipment must generally only be performed by a qualified electrician.

Safety-related information

2.5 Dangers



Here, you will find information about the different types of dangers or damage that can occur in connection with the operation of the MultiControl.

Injury to persons

- Maintenance, installation and repair work on the unit must only be carried out by authorised technical personnel in compliance with the applicable provisions.
- Before switching on the MultiControl, ensure that no unauthorised personnel are situated in the vicinity of the conveyor/conveying system.

Electricity

- Installation and repair work must only be carried out when the system has been disconnected from the power supply. Switch off the power to the MultiControl and ensure that it cannot be unintentionally switched on again.

Work environment

- Remove any materials and objects that are not required from the working area.

Faults in operation

- Regularly check the MultiControl for visible damage.
- If smoke develops, immediately switch off the power to the MultiControl and ensure that it cannot be unintentionally switched on again.
- Immediately contact specialist personnel to determine the cause of the malfunction.

Maintenance

- Since the product in question requires no maintenance, it is sufficient to simply examine the MultiControl for visible damage on a regular basis.
- Never open up the MultiControl.

Unintentional start-up

- Ensure that the connected RollerDrives/motors cannot start up unintentionally, particularly during assembly and maintenance work or in the event of a fault.

2.6 Interface to other devices

The integration of the MultiControl into a conveyor system can create additional potential hazards. Such potential hazards are not covered by this operating manual and must be analysed during the development, installation and commissioning of the conveyor system as a whole.

- Following the integration of the MultiControl into a conveyor system, the entire system must be checked for any new potential hazards that may be present before the conveyor is switched on.

2.7 Functional safety

Information on the performance level according to DIN EN ISO 13849-1: 2015

The statistical analysis of the MultiControl AI / BI according to the „Part Counts Method“ has led to the following result if the maximum permissible ambient temperature of 40 °C is observed:

MTTF (h):

812691 Hours

MTTF (a):

93 Years

Provided that the behavior of the MultiControl is changed in the event of system-relevant errors in the “Error Handling Settings” of the MultiControl user interface, this results in an achievable performance level of “C” (see „Error Handling Settings“ on page 45).

Error Handling Settings	
System Errors	Control Errors
Network Error : Immediate Stop <input type="checkbox"/> ●	Control Error 1 : Ignore <input type="checkbox"/>
Over Voltage Error : Immediate Stop <input type="checkbox"/> ●	Control Error 2 : Ignore <input type="checkbox"/>
Under Voltage Error : Immediate Stop <input type="checkbox"/> ●	Control Error 3 : Ignore <input type="checkbox"/>
Motor Error : Immediate Stop <input type="checkbox"/> ●	Control Error 4 : Ignore <input type="checkbox"/>
General Control Error : Immediate Stop <input type="checkbox"/> ●	Control Error 5 : Ignore <input type="checkbox"/>
Sensor Error : Ignore <input type="checkbox"/>	Control Error 6 : Ignore <input type="checkbox"/>
	Control Error 7 : Ignore <input type="checkbox"/>
	Control Error 8 : Ignore <input type="checkbox"/>
	<input type="button" value="Submit"/> <input type="button" value="Reset"/>

In order to fulfill a safety function, the safety-related disconnection of the load voltage (motor voltage) is also required.

Safety-related information

2.8 Operating modes/operating phases

Standard operation

Operation in the installed condition at the end customer as a component in a conveyor in an overall system.

Special operation

Special operation encompasses all operating modes/operating phases that are necessary to guarantee and maintain safe standard operation.

Special operating mode	Comments
Transport/storage	-
Assembly/commissioning	In de-energised state
Cleaning	In de-energised state
Maintenance/repair	In de-energised state
Fault location	-
Troubleshooting	In de-energised state
Decommissioning	In de-energised state
Disposal	-

2.9 Applicable documentation

The MultiControl AI/BI is part of the **Interroll DC Platform**, consisting of:

- Interroll High Performance power supply unit HP5424 or HP 5448 (24 V DC/48 V DC)
- Interroll MultiControl AI/BI
- RollerDrive EC5000 AI/BI (24 V DC/48 V DC)
- Interroll DriveControl 20/54/2048



Also ensure that you adhere to the information given in the operating manuals of the connected devices.

Further notes on operating and programming the MultiControl can be found in the “MultiControl / RollerDrive - Start-up and Programming” supplement.

The latest version of this supplement can be found online at: www.interroll.com

3 Product information

3.1 Product description

The MultiControl is a control system for conveyor systems, which can control up to four Interroll RollerDrives. It is also a certified I/O device for PROFINET, EtherNet/IP and EtherCAT and can therefore be linked with other MultiControls and a PLC.

Sensors and RollerDrives can be directly integrated into the fieldbus level via the MultiControl. This completely eliminates the need for an additional sensor/actuator level.

Some applications are already pre-programmed in the MultiControl for applications with special conveying logic. It can therefore be used as a standalone control system – with or without connected PLC.

The MultiControl is compatible with all 24 V/48 V conveyor modules from Interroll Automation GmbH. So-called ZPA (zero pressure accumulation) programs are used for operating the conveyor modules with zero pressure accumulation.

The MultiControl BI communicates with the connected RollerDrive EC5000 BI via the CANopen protocol.



Further information on the integrated programs and functions can be found in accompanying document "MultiControl / RollerDrive - Start-up and Programming".

Energy recovery/overvoltage protection

If the RollerDrive is stopped or the speed is abruptly reduced, the kinetic energy of the conveyed material in the RollerDrive is converted into electrical energy, akin to a generator. This energy is fed back into the system, where it can be used by other RollerDrive units.

If more energy is fed back than can be used, the excess energy is converted into heat via a brake chopper in the MultiControl. The brake chopper is activated when the voltage rises above 28 V/52 V. This prevents excessively high voltages within the system.



Note the energy recovery capacity of the power supply units used.

We recommend the use of Interroll High Performance power supplies HP 5424 / HP5448 with a regenerative strength up to 35 V / 60 V.

With the MultiControl 24 V it is possible to reduce the brake chopper operating voltage to 26 V (see „Motor Settings“ on page 36).

Overload protection

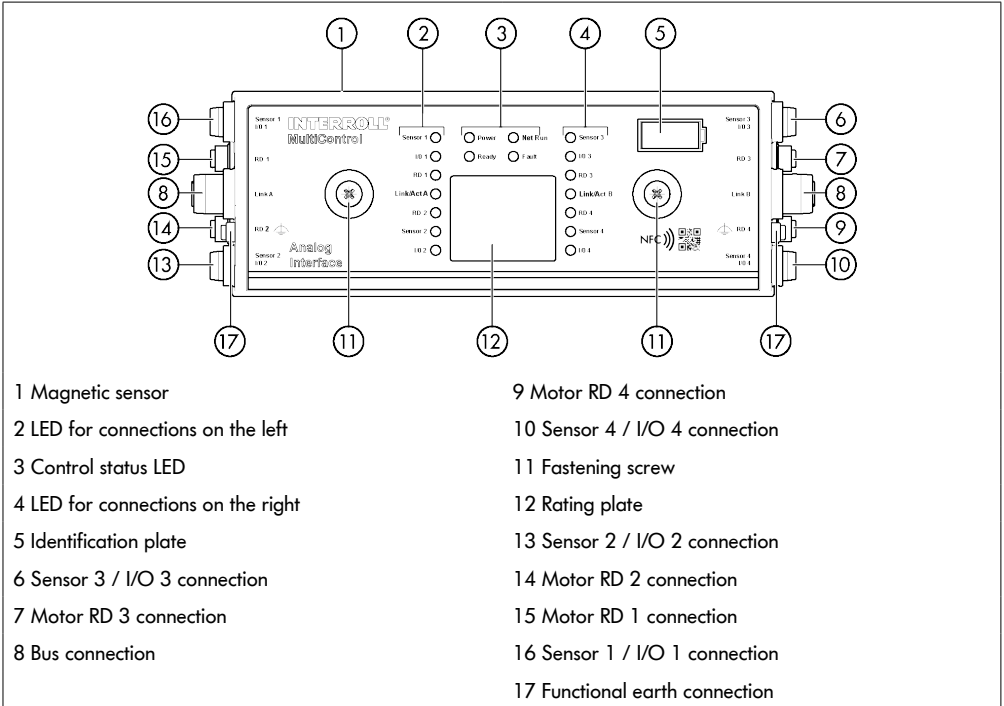
If the brake chopper remains switched on for longer than two seconds, it is switched off again as it is assumed that the power supply unit is delivering an incorrect voltage. The activated overload protection is indicated by the LED display. Whenever the overload protection is active, the motors cannot be switched on.

The MultiControl does not provide a protective mechanism against excess temperature in the connected RollerDrive.

Product information

3.2 Setup

MultiControl AI and BI



1 Magnetic sensor

2 LED for connections on the left

3 Control status LED

4 LED for connections on the right

5 Identification plate

6 Sensor 3 / I/O 3 connection

7 Motor RD 3 connection

8 Bus connection

9 Motor RD 4 connection

10 Sensor 4 / I/O 4 connection

11 Fastening screw

12 Rating plate

13 Sensor 2 / I/O 2 connection

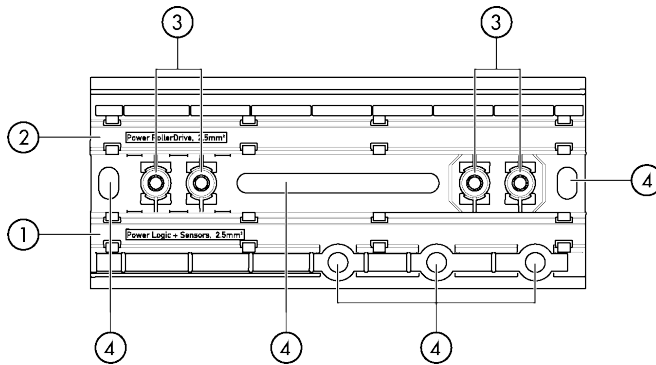
14 Motor RD 2 connection

15 Motor RD 1 connection

16 Sensor 1 / I/O 1 connection

17 Functional earth connection

Base plate



- 1 Cable guide for power supply to logic and sensors (L1)
- 2 Cable guide for power supply to RollerDrive (L2)
- 3 MultiControl fixing
- 4 Holes/slot for attaching the base plate

3.3 Scope of delivery

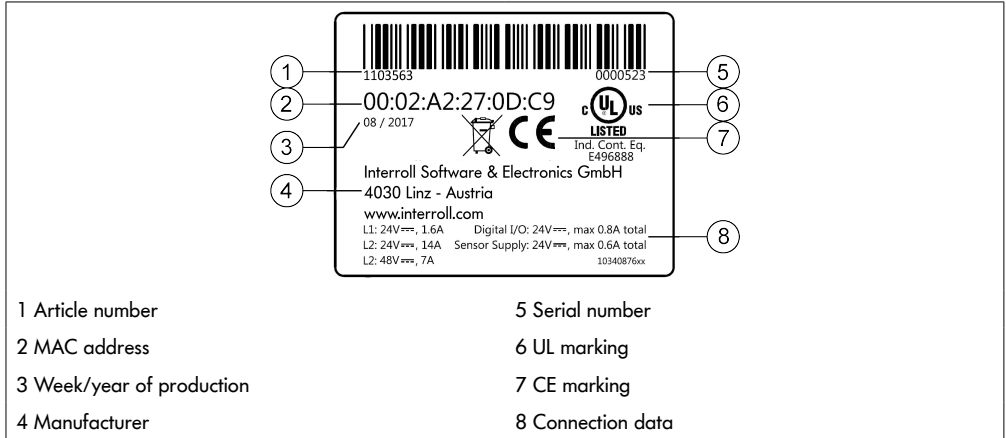
The scope of delivery of the MultiControl includes the following parts:

- MultiControl
- Base plate
- Two screws for attaching the MultiControl to the base plate

Product information

3.4 Rating plate

The information on the rating plate allows the MultiControl to be identified. This is essential to be able to use the MultiControl as intended.



The diagram shows a rectangular rating plate with the following information and callouts:

- 1: Article number (1103563)
- 2: MAC address (00:02:A2:27:0D:C9)
- 3: Week/year of production (08 / 2017)
- 4: Manufacturer (Interroll Software & Electronics GmbH, 4030 Linz - Austria, www.interroll.com)
- 5: Serial number (0000523)
- 6: UL marking (UL US LISTED)
- 7: CE marking (CE)
- 8: Connection data (L1: 24V^{DC}, 1.6A; Digital I/O: 24V^{DC}, max 0.8A total; L2: 24V^{DC}, 1.4A; Sensor Supply: 24V^{DC}, max 0.6A total; L2: 48V^{DC}, 7A; 10340876xx)

1 Article number

2 MAC address

3 Week/year of production

4 Manufacturer

5 Serial number

6 UL marking

7 CE marking

8 Connection data



The diagram shows an NFC chip icon with callout 9 and a QR code with callout 10.

9 Reference to NFC chip in the label

10 QR Code

Product-specific data can be read out via the Interroll Product App and the NFC chip integrated into the type plate. The Interroll Product App is available in all well-known app stores or via the following link:

<https://product.interroll.com/download>

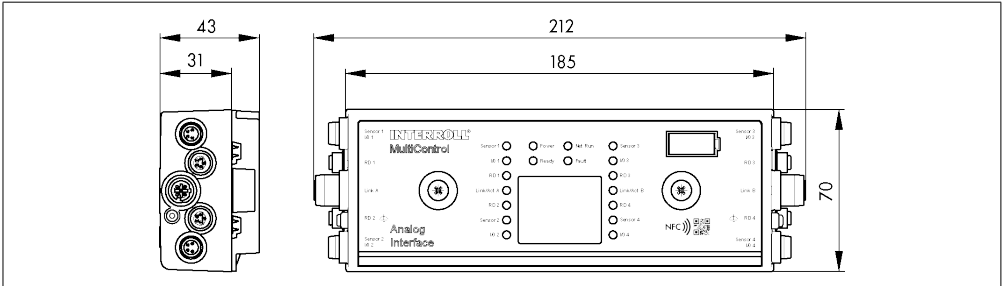


3.5 Technical specifications

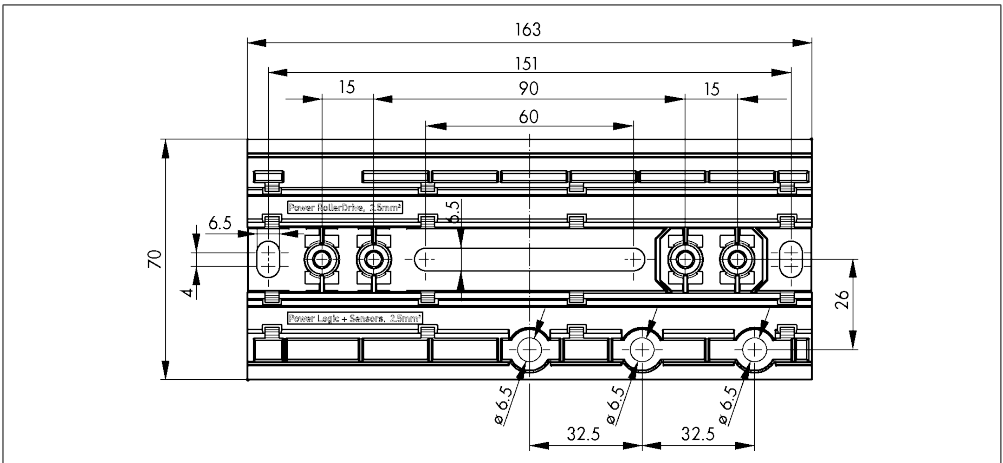
Rated voltage for logic and sensors (L1)	24 V DC, protected extra-low voltage (PELV)					
Voltage range L1	22 to 27,5 V DC					
Rated voltage for RollerDrive (L2)	24 V DC, protected extra-low voltage (PELV)	48 V DC, protected extra-low voltage (PELV)				
Voltage range L2	22 to 27,5 V DC	44 to 51,5 V DC				
Current consumption	<p>Logic supply voltage L1:</p> <p>MultiControl: Max. 0.2 A + connected sensors/actuators = max. 1.6 A</p> <p>RollerDrive supply voltage L2:</p> <table border="1"> <tr> <td>RollerDrive rated current: Max. 4 x 3.5 A = 14.0 A</td> <td>RollerDrive rated current: Max. 4 x 1.75 A = 7.0 A</td> </tr> <tr> <td>RollerDrive starting current: Max. 4 x 7.5 A = 30.0 A</td> <td>RollerDrive starting current: Max. 4 x 3.8 A = 15.2 A</td> </tr> </table>		RollerDrive rated current: Max. 4 x 3.5 A = 14.0 A	RollerDrive rated current: Max. 4 x 1.75 A = 7.0 A	RollerDrive starting current: Max. 4 x 7.5 A = 30.0 A	RollerDrive starting current: Max. 4 x 3.8 A = 15.2 A
RollerDrive rated current: Max. 4 x 3.5 A = 14.0 A	RollerDrive rated current: Max. 4 x 1.75 A = 7.0 A					
RollerDrive starting current: Max. 4 x 7.5 A = 30.0 A	RollerDrive starting current: Max. 4 x 3.8 A = 15.2 A					
Protection rate	IP54 (not UL-tested)					
Degree of contamination	2					
Weight	500 g (incl. base plate)					
Ambient temperature in operation	-30 °C to +40 °C (-22 °F to +104 °F)					
Ambient temperature during transport and storage	-40 °C to +80 °C (-40 °F to +176 °F)					
Max. temperature change	1 K/min, 3 h, 2 cycles					
Max. relative humidity	93% at +40 °C (104 °F), 14 days, non-condensating					
Altitude of installation site	<p>Max. 1000 m (3280 ft)</p> <p>In principle, it is possible to install the equipment at altitudes higher than 1000 m (3280 ft). However, this may reduce the performance values.</p>					

Product information

3.6 Dimensions



The distance between the MultiControl and neighbouring components must be at least 10 mm in order to be able to operate the magnetic sensor.



4 Transport and storage

4.1 Transport



CAUTION

Risk of injury from improper transport.

- Transport operations must only be carried out by authorised, qualified personnel.
-

Please note the following:

- Do not stack pallets on top of one another.
- Prior to transport, check whether the MultiControl is correctly attached.
- Avoid heavy impacts during transport.
- Check each MultiControl after transport for any visible damage.
- If any damage has been identified, photograph the damaged parts.
- In the event that damage has been incurred during transport, inform the shipping agent or Interroll immediately to ensure that you do not lose any potential damage claims.
- Do not expose the MultiControl to any strong fluctuations in temperature, since this can lead to condensation forming.

4.2 Storage



CAUTION

Risk of injury due to improper storage.

- Ensure that the MultiControl is stored safely.
-

Please note the following:

- Do not stack pallets on top of one another.
- Check each MultiControl after storage for any visible damage.

Assembly and installation

5 Assembly and installation

5.1 Warning notices for installation

NOTE

An improper approach to installing the MultiControl can lead to material damage or reduce the service life of the MultiControl.

- To preserve the interior of the MultiControl, do not allow the MultiControl to fall or for it to be used in an improper fashion.
- Check each MultiControl before assembly for any visible damage.
- Ensure that the MultiControl is not tensioned during the assembly process (no bending or torsional load).
- Do not drill any additional mount holes into the housing or the base plate and do not enlarge any existing holes.

5.2 Assembling the MultiControl

Initial assembly

To attach the MultiControl to the conveyor frame, the base plate provided must first be mounted on the conveyor frame. There are two sets of two holes in the base plate for attaching the MultiControl. The holes on the left should be used for initial assembly.

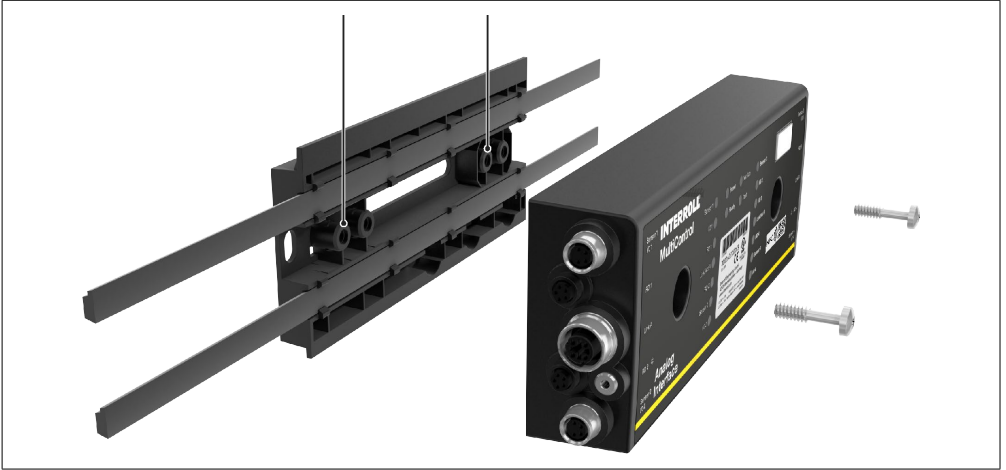


To simplify electrical installation, all MultiControls should only be attached to one side of the conveyor system if possible. In the case of curves, the MultiControls should be attached as close to the outer radius of the curve as possible, as the RollerDrive connection is on this side.

- Find a level surface on the conveyor frame where the MultiControl can be attached. Leave approximately 25 mm to the left of this to enable the MultiControl to subsequently be moved if necessary (see „Subsequent assembly“ on page 24).
- Use the base plate as a template and mark the middle of the installation holes. Ensure the correct orientation of the base plate (the cable guide label must be legible).

Assembly and installation

- Drill two holes with a diameter of 6.5 mm through the markings in the conveyor frame.
- Attach the base plate to the conveyor frame with M6 screws.
- Make sure the base plate has not been distorted.
- Insert the ribbon cables for the power supplies (see „Connecting the power supply“ on page 26).
- Place the MultiControl on the left-hand holes and press it down until the lock engages.



- Screw the MultiControl onto the base plate (max. tightening torque 2,5 - 2,75 Nm). This drives the piercing contacts through the ribbon cable and makes contact with the power supplies.



Use the screws provided to attach the MultiControl to the base plate.

Assembly and installation

Subsequent assembly

If a MultiControl that has already been connected needs to be detached from the base plate, the ribbon cables must not make contact again at the same point, as otherwise proper contact cannot be guaranteed. So as not to have to disconnect the ribbon cables from all MultiControls and then reconnect them, in this case the MultiControl can be attached via the installation holes on the right.



5.3 Warning notices for electrical installation



CAUTION

Risk of injury when working on electrical equipment.

- Electrical installation work must only be carried out by a qualified electrician.
- Before installing, removing or connecting the MultiControl, switch off the power to the conveyor system and ensure that it cannot be unintentionally switched on again.
- Set all the power supplies used to the same earth potential in order to avoid compensating currents via the MultiControl or bus cable.
- Ensure all components are earthed correctly. Improper earthing can lead to a build-up of static charge, which can result in a fault or premature failure of the MultiControl.
- Ensure that suitable switching devices and protective systems are in place that will allow the equipment to be operated safely.
- Only switch on the operating voltages when all cables are connected.

NOTE

Improper electrical installation can result in damage to the MultiControl.

- Observe national regulations for electrical installation.
- Only operate the MultiControl with a protective extra-low voltage (PELV) of 24 V or 48 V.
- Never operate the MultiControl with an alternating voltage.
- Ensure that the polarity of the power supply is correct.
- Ensure that the existing electrical installation has no disruptive influence on the MultiControl.
- Only use cables that are adequately dimensioned for the specific operating conditions.
- Ensure that the calculations for the drop in voltage in the cables are taken into account.
- Observe regulations for laying cables.
- Do not expose the connectors to excessively high tensile or pressure loads. If the connector cable is bent, this can damage the cable insulation and cause the MultiControl to fail.

Assembly and installation

5.4 Electrical installation

Connecting the power supply

Two type 3G3G-FL ribbon cables with a wire cross-section of $2 \times 2.5 \text{ mm}^2$ are used for the power supplies.

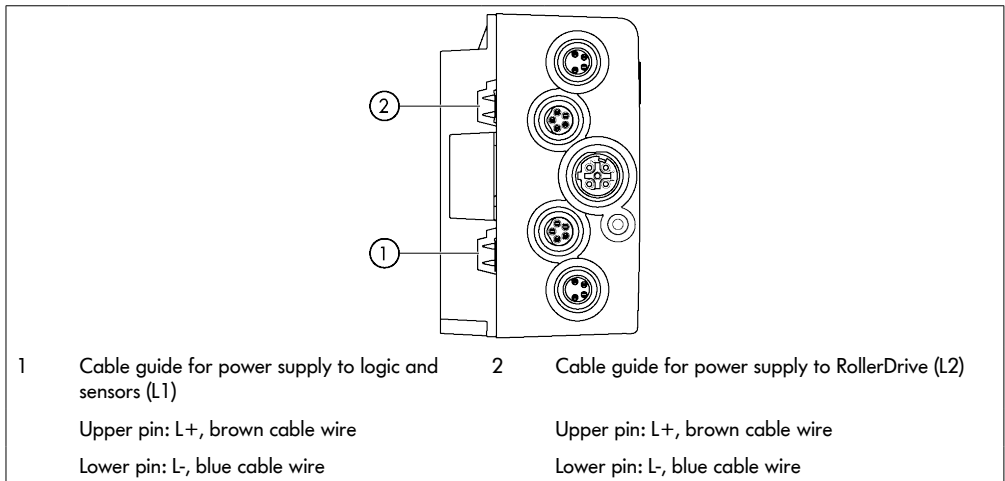
By using two ribbon cables, the RollerDrives and the sensors/logic have a separate voltage supply. This enables the RollerDrives to be safely shut down without interrupting bus communication.



A ribbon cable distributor can be used to enable the MultiControl to be used as a replacement part in existing systems (see „Accessories“ on page 66).

Both earth potentials (L-) of the power supplies are connected to one another in the MultiControl.

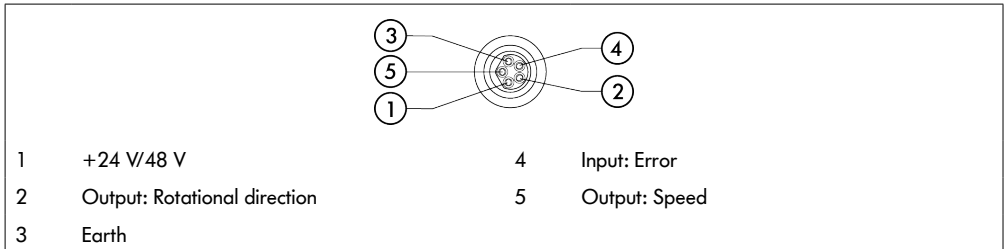
- Insert the ribbon cables with the correct orientation, without mechanical tension or torsion, into the cable guides on the base plate. The cable guides have a form-fit design (see figure). This means that the ribbon cables can only be inserted with the correct orientation and the polarity of the cables cannot be reversed.
- If necessary, implement appropriate strain relief and vibration reduction measures.



- Seal the ends of the ribbon cables with end caps to achieve protection rate IP54.
- Mount the MultiControl on the base frame to establish contact (see „Initial assembly“ on page 22).
- Connect the cables to the power source. Connect the brown wire to L+ and the blue wire to L-.

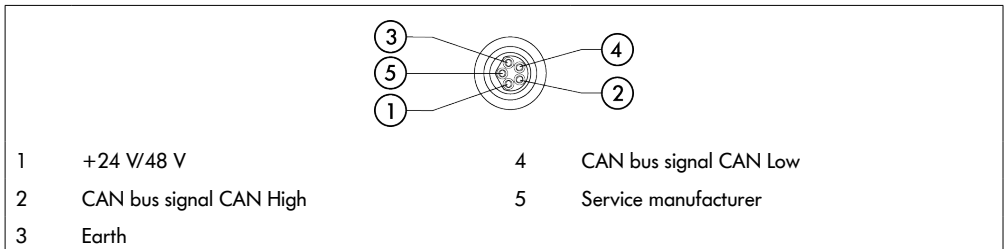
Connecting the RollerDrive

RollerDrive AI



- Seal unused RollerDrive connections with an M8 blind cap to achieve protection rate IP54.

RollerDrive BI



- Seal unused RollerDrive connections with an M8 blind cap to achieve protection rate IP54.

NOTE

Incorrect connected loads can destroy the RollerDrive.

- Do not attempt to operate a RollerDrive EC5000 24 V DC at 48 V DC. This will destroy the motor electronics.

NOTE

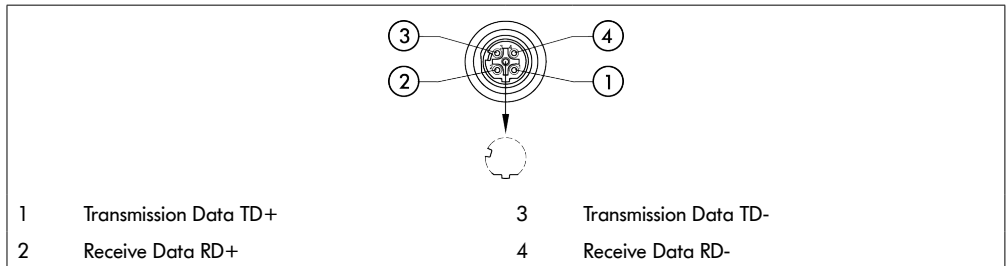
Connecting/disconnecting under voltage can destroy the MultiControl / RollerDrive EC5000 with bus interface

- The MultiControl and the RollerDrive EC5000 BI are not hot-plug-compatible. Disconnect the power supply to connect/disconnect the RollerDrive EC5000 BI.

Assembly and installation

Connecting the bus

Connections "Link A" and "Link B" are suitable for M12 connectors, four-pin, D-coded, contact assignment as per IEC 61076-2-101.



The MultiControl features an integrated two-port switch. This enables the MultiControl to be integrated into line structures of the bus wiring, for example.

- Observe the installation guidelines for the corresponding bus systems:
 - PROFINET: PROFIBUS & PROFINET International (PI), www.profibus.com
 - EtherCAT: EtherCAT Technology Group, www.ethercat.org
 - EtherNET/IP: ODVA, www.odva.org
- Seal any unused connections with an M12 blind cap to achieve protection rate IP54.

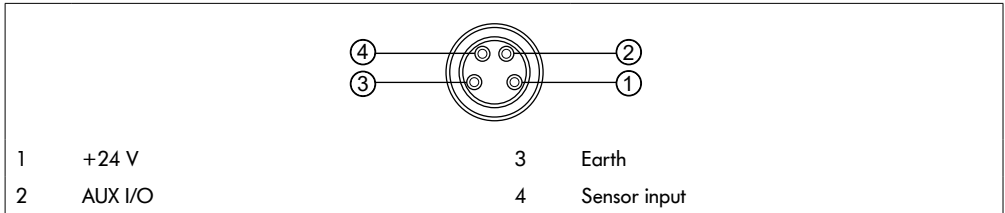


It is possible to connect the shielding of the bus cables on both sides of the MultiControl. This minimises EMC problems.

Assembly and installation

Connecting the sensors

Four sensors and four additional inputs or outputs (AUX I/O) can be connected at connections "Sensor 1, I/O 1" to "Sensor 4, I/O 4". PNP or NPN sensors as well as sensors with N/C or N/O contact can be used. The sensor type and the function of the additional I/Os can be parametrised (see „Digital I/O - Settings“ on page 42). A Y-cable can be used to connect a sensor and an input/output at the same connection (see „Accessories“ on page 66).



- Seal any unused connections with an M8 blind cap to achieve protection rate IP54.

NOTE

Connections are not short circuit-proof

In the event of a short circuit, particularly between Pin 1 and Pin 3, the internal fuse (PTC) in the MultiControl trips. Standard operation can be resumed once the internal fuse has cooled down.

- Ensure the correct polarity.



The inputs and outputs are not galvanically separated.

Characteristic values for the inputs

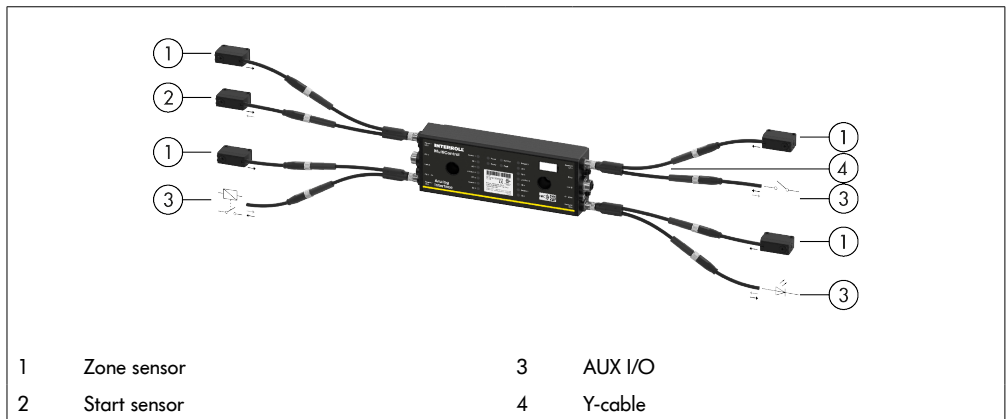
Input voltage	0 V to 24 V DC
Input resistance	≥ 15 kΩ
Switching thresholds	≥ 15 V "High" ≤ 5 V "Low"

Assembly and installation

Characteristic values for the outputs	
Output voltage	24 V DC
Maximum output current	≤ 200 mA
Output voltage "1" for PNP	> 15 V at 200 mA
Output voltage "1" for NPN	≤ 5 V at 200 mA

- Seal any unused sensor connections with an M8 blind cap to achieve protection rate IP54.

Overview of connections



6 Start-up and operation

6.1 Start-up

Check before the initial start-up

- Ensure that the base plate of the MultiControl has been correctly attached to the profile, that the MultiControl has been correctly attached to the base plate and that all screws have been properly tightened.
- Ensure that no additional hazards are formed through the interfaces to other components.
- Ensure that the wiring conforms to the specifications and legal provisions.
- Check all protective equipment.
- Ensure that no persons are in the hazardous areas by the conveyor system.

6.2 Configuration options



CAUTION

Risk of malfunction!

- Change the motor configuration via SDO or web browser only when motors are stopped!

The MultiControl must be configured before it can be started up. There are various ways of doing this:

- All settings can be configured via a web-based user interface on a computer connected to the MultiControl.
- Directly on the MultiControl via the built-in magnetic sensor (see the “MultiControl / RollerDrive - Start-up and Programming” supplement).
- All settings except the bus type can be configured via service data objects (SDOs) written by a higher-level control system (see the “MultiControl / RollerDrive - Start-up and Programming” supplement).
- The station name, the IP configuration and the connection settings can be modified via a PLC development environment.
- The data is automatically transferred by the Plug&Play function when the MultiControl is replaced.

NOTE

Possible loss of data during the start process

If the supply voltage is interrupted during the start process, this can result in a loss of data.

- Do not switch off the supply voltage during the start process (approx. 10 seconds).

Start-up and operation

6.3 MultiControl user interface

The MultiControl has an integrated web server that generates a user interface for configuring the MultiControl. This user interface can be opened on a computer connected to the MultiControl.

Except for a web browser, no further software needs to be installed on the computer.

Prerequisites

The following prerequisites must be fulfilled in order to start the web-based user interface:

- The MultiControl has a valid IP address that is known (default setting: IP address 192.168.0.1, subnet mask 255.255.255.0).
- The connected computer must be in the same IP range (see system description/network settings for the PC).
- There is an Ethernet connection between the MultiControl and the computer.
- Port 80 can be accessed (user interface is HTTP-based).
- The MultiControl is not configured for EtherCAT, as EtherCAT does not permit HTTP communication. The bus type can be read using the magnetic sensor (see the "MultiControl / RollerDrive - Start-up and Programming" supplement).

Starting the user interface

- Start the web browser on the computer connected to the MultiControl.
- In the address line, enter the IP address of the MultiControl (default setting: `http://192.168.0.1/`).
- On the login page, enter the login data (default setting: User name "Interroll", password "Interroll").



Unless otherwise specified, the figures apply to the MultiControl AI and the MultiControl BI.

MultiControl AI

The screenshot displays the MultiControl AI web interface. On the left is a navigation menu with the following items: Overview (highlighted), Network and Settings, Motor, Settings, TestPanel, Digital I/O, States, Settings, Control Program, Settings, Error, State, Settings, Log, Service, Teach-In, Plug&Play, System, Change Password, Factory Reset, Restart, Version, Up-/Download, and Log Out. The main content area is titled "MultiControl Overview" and contains the following information:

- Bus Info**
Bus Protocol : PROFINET
Host Name : multicontrol2
IP Address : 192.168.0.2
State : Disconnected
- Error Info**
State : Operational
Active Error : BusConFal (21)
Last Error : 00:00:42.536.21 BusConFal
- Control Program Info**
Program ID : I/O Device
Version : 2017-04-10-09
- Find Device**
Start Identity

MultiControl BI

The screenshot displays the MultiControl BI web interface. On the left is a navigation menu with the following items: Overview (highlighted), Network and Settings, Motor, Information, Monitor, TestPanel, Digital I/O, States, Settings, Control Program, Settings, Error, State, Settings, Log, Service, Teach-In, Plug&Play, CAN Gateway, System, Change Password, Factory Reset, Restart, Version, Up-/Download, and Log Out. The main content area is titled "MultiControl Overview" and contains the following information:

- Bus Info**
Bus Protocol : PROFINET
Host Name : multicontrol2
IP Address : 192.168.0.2
State : Disconnected
- Error Info**
State : Operational
Active Error : BusConFal (21)
Last Error : 00:00:42.536.21 BusConFal
- Control Program Info**
Program ID : I/O Device
Version : 2017-04-10-09
- Find Device**
Start Identity

Use the menu on the left-hand side of the screen to navigate through further information and settings.

Start-up and operation

“MultiControl Overview” home page

MultiControl Overview

Bus Info

Bus Protocol : PROFINET
Host Name : multicontrol2
IP Address : 192.168.0.2
State : Disconnected

Error Info

State : Operational
Active Error : BusComFail (21)
Last Error : 00:00:42.536.21 BusComFail

Control Program Info

Program ID : I/O Device
Version : 2017-04-10-09

Find Device

Start Identify

The following information is displayed on the home page:

- Information regarding the set bus system
- Information regarding the most recent error
- Information regarding the set application program

“Start Identify” button

Starts a “running light” of all LEDs in order to identify the MultiControl in the conveyor.



The EDS file for the respective software version is stored on the MultiControl and can be downloaded via the link at the bottom of the home page.

- To exit the user interface, click on “Log Out” (not necessary if the MultiControl is restarted).

Network Settings

Network Settings

<div style="border: 1px solid gray; padding: 5px; margin-bottom: 5px;">Bus Protocol <input type="radio"/> EtherCAT <input type="radio"/> EtherCAT BI <input type="radio"/> EtherCAT/CAN <input type="radio"/> EtherCAT/CAN Pro <input checked="" type="radio"/> PROFINET <input type="radio"/> EtherNet/IP</div> <div style="border: 1px solid gray; padding: 5px; margin-bottom: 5px;">Addresses IP address : 192.168.0.1 Network Mask : 255.255.255.0 Gateway : 0.0.0.0</div> <div style="border: 1px solid gray; padding: 5px; margin-bottom: 5px;">Domains Host Name : multicontrol Domain Name : DNS server 1 : 0.0.0.0 DNS server 2 : 0.0.0.0</div> <div style="border: 1px solid gray; padding: 5px;">Configuration Mode <input checked="" type="radio"/> Static <input type="radio"/> I/O Controller</div>	<div style="border: 1px solid gray; padding: 5px; margin-bottom: 5px;">Neighbours IP address upstream : 192.168.0.16 IP address downstream : 192.168.0.17</div> <div style="border: 1px solid gray; padding: 5px;">Option <input type="checkbox"/> Big Endian Format Process Image In/Out: Universal Full / Universal Full</div>
--	--

Submit Reset

In order to integrate the MultiControl into an automation system, bus parameters may also need to be modified. This includes the setting for the bus type used as well as addressing.

The MultiControl supports the following bus types:

- PROFINET I/O device – Conformance Class B, Netload Class 1
- EtherNet/IP slave
- EtherCAT slave

The following parameters can be modified in order to address the MultiControl:

- IP address and subnet mask
- Gateway
- Host name: When using the MultiControl with PROFINET, the unique PROFINET name of the MultiControl must be entered here
- Domain name plus DNS server 1 and 2
- Configuration mode of the address:
 - Static: The IP address is assigned by the user
 - I/O controller: The IP address is assigned by the PLC (input field is greyed out)



To avoid communication problems in the bus system, we recommend changing the standard IP address 192.168.0.1.

Depending on the system configuration, in PROFINET projects we recommend manually increasing the update time of the MultiControl (automatic 2 ms) to half the CPU cycle time or at least 8 ms.

Start-up and operation

- IP addresses of neighbouring MultiControls (with ZPA and ZPA+ programs)
IP address upstream: Address of the MultiControl from which articles, trays, materials to be conveyed, products, etc. are transferred
IP address downstream: Address of the MultiControl to which articles, trays, materials to be conveyed, products, etc. are delivered
- Definition as to whether the PLC data is in big-endian format (High/Low byte switched)



Press the "Submit" button to transfer the modified parameters to the MultiControl.

NOTE

Irreparable damage to the MultiControl due to premature shutdown of the supply voltage

- Ensure that the power supply is not interrupted during the entire process of changing the bus type until the restart is complete. This process takes approx. two minutes.

Motor Settings

Motor Settings				
	Motor 1	Motor 2	Motor 3	Motor 4
Motor Type	EC5000	EC5000	Disabled	Disabled
Roller Diameter [mm]	50.0	50.0	50.0	50.0
Gearing Ratio	49:1	49:1	none	none
Direction	<input checked="" type="radio"/> CW <input type="radio"/> OCCW	<input checked="" type="radio"/> CW <input type="radio"/> OCCW	<input checked="" type="radio"/> CW <input type="radio"/> OCCW	<input checked="" type="radio"/> CW <input type="radio"/> OCCW
Normal Speed [m/s]:	1.00	1.00	1.00	1.00
Alternate Speed [m/s]:	0.50	0.50	0.50	0.50
Acceleration [m/s ²]:	0.00	0.00	0.00	0.00
Deceleration [m/s ²]:	0.00	0.00	0.00	0.00
<input type="checkbox"/> Apply Motor 1 Settings to all				
Avoid parallel Motor Start/Stop - ZPA				
Start Delay [ms]:	100			
Stop Delay [ms]:	100			
<input checked="" type="radio"/> 28 V				
Brake Chopper Level: <input type="radio"/> 26 V				
			<input type="button" value="Submit"/>	<input type="button" value="Reset"/>



CAUTION

Risk of malfunction!

- Change the motor configuration via web browser only when motors are stopped!

- Deactivate unused motors to avoid error messages.
- Select the connected motor – EC5000 / EC310 / VDC Speed / VDC Position



If a motor is activated but not connected, the RD1 – RD4 LED flashes.

- Enter the “Roller diameter”, “Gearing ratio” and “Normal speed” according to the RollerDrive used.



In the case of conical rollers (curves), enter the average roller diameter as the diameter.

In the “I/O device” control program, the speed in % relates to the value set here under “Normal speed”.

Due to tolerances and / or voltage drop on cables, it is possible that the RollerDrive does not rotate when it is set to its minimum values. In this case a higher setting and thus speed must be selected.

The “Direction” parameter is used to adapt the rotational direction of the RollerDrive to the installation location (rotational direction as viewed from the cable end of the RollerDrive).

“Acceleration” and “Deceleration” adapt the start/stop behaviour of the RollerDrive. The “Alternate speed” parameter is not currently in use.

Acceleration values for the RollerDrive EC5000 BI

The optimum acceleration ramp for the EC5000 BI is achieved by entering the following acceleration values.

Gear	9:1	13:1	18:1	21:1	30:1	42:1	49:1	78:1	108:1
Acceleration value m/s ²	13,2	9,2	6,6	5,7	4,0	2,8	2,4	1,5	1,1

Avoid parallel Motor Start/Stop - ZPA

Start Delay: The connected RollerDrives are started one after the other at the set time interval to prevent overloading the power supply when it is switched on.

Stop Delay: The connected RollerDrive are stopped one after the other at the set time interval to prevent overloading the power supply when it is switched off.

Brake Chopper Level

For the MultiControl 24 V AI / BI, the brake chopper operating voltage can be reduced to 26 V.
The factory setting is 28 V.



Press the “Submit” button to transfer the modified parameters to the MultiControl.

Start-up and operation

Motor Information – MultiControl BI only

Motor Information				
	Motor 1	Motor 2	Motor 3	Motor 4
Gear Ratio	49:1	49:1	---	---
Max. Speed [m/s]	0.37	0.37	---	---
Status	Stop	Stop	N.C.	N.C.
Motor Name	EC5000	EC5000	---	---
Hardware Vers.	1.0000	1.0000	---	---
Software Vers.	0.11.07	0.11.07	---	---
Product Code	---	---	---	---
Serial Number	381	---	---	---

Display of motor data:

- Gear ratio
- Maximum speed
- Rated power
- Status
- Motor name
- Hardware version
- Software version
- Product code
- Serial number

Motor Monitor – MultiControl BI only

Motor Monitor				
	Motor 1	Motor 2	Motor 3	Motor 4
Lifetime				
Temperature				
Power				
Error				
Start/Stops	177	31536065	---	---
Run Time (hh:mm:ss)	0:19:42	3140:26:15	---	---
Up Time (hh:mm:ss)	288:45:16	8984:58:28	---	---
Temp. Max (°)	46	99	---	---
Temp. Min (°)	16	16	---	---
Current Temp. (°)	21	20	---	---
Num. Quick Stops	0	0	---	---
Actual Torque (mNm)	0	0	---	---
Power/Time (Wh)	0	0	---	---
Num. Rotations	2174	172911880	---	---

Visual displays

Service life indicator lights

Health indicator lights for:

- Temperature
- Power
- Frequency of errors

Monitoring data

Start/stops – Number of start/stops per minute

Run time (s)

Up time (s)

Temp. max (°C) – Maximum temperature of the motor electronics

Temp. min (°C) – Minimum temperature of the motor electronics

Current temp. (°C) – Actual temperature of the motor electronics

Num. quick stops – Number of quick stops

Actual Torque (mNm) - Actual Torque

Power/time (Wh) – Average mechanical power output

Num. rotations – Number of motor revolutions

Start-up and operation

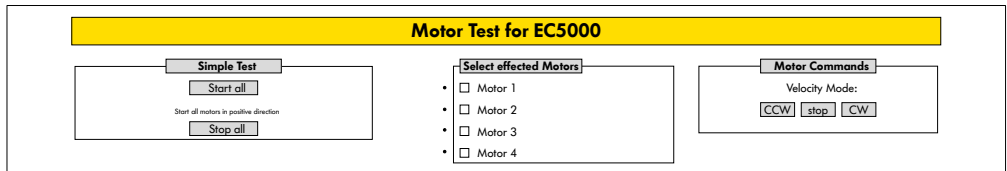
Motor Test for EC5000



WARNING

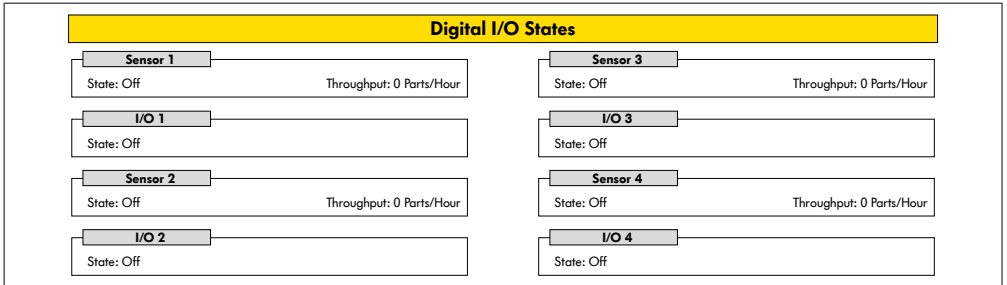
Risk of crushing due to unintentional start-up of the RollerDrive!

- Changes in this menu have direct influence on the connected RollerDrive!
- Before starting motors make sure, ensure that no persons are present in the hazardous areas surrounding the conveyor system!



- Select the desired motor
- Select the test:
 - Simple test – Starts all connected motors in a positive rotational direction
 - Velocity mode – Start and stop selected motors clockwise or anti-clockwise

Digital I/O States



Display of the switching states of the connected sensors and I/Os.

Throughput

Based on the sensor signals, the throughput of the individual zones is determined.

For this, the signals of the last five minutes are extrapolated to one hour.

This means that the system must have been running for at least five minutes.

The counters are active in all operating modes.



Not a real-time status. Status changes are only visible once the web browser has been refreshed ("F5" key).

Start-up and operation

Digital I/O Settings

Digital I/O Settings

Sensor 1

Type : PNP NPN

Polarity : positive negative

ON Delay [ms] :

OFF Delay [ms] :

Sensor 3

Type : PNP NPN

Polarity : positive negative

ON Delay [ms] :

OFF Delay [ms] :

I/O 1

Type : PNP NPN

Polarity : positive negative

Function : ▼

I/O 3

Type : PNP NPN

Polarity : positive negative

Function : ▼

Sensor 2

Type : PNP NPN

Polarity : positive negative

ON Delay [ms] :

OFF Delay [ms] :

Sensor 4

Type : PNP NPN

Polarity : positive negative

ON Delay [ms] :

OFF Delay [ms] :

I/O 2

Type : PNP NPN

Polarity : positive negative

Function : ▼

I/O 4

Type : PNP NPN

Polarity : positive negative

Function : ▼

I/O State LEDs enabled
 Shutdown Aux Output

Submit
Reset

Sensors 1–4 are assigned to the zone sensors.

Additional I/Os can be connected by using an optional Y-cable.

I/O 1 to I/O 4 can be configured as inputs or outputs with the following functions:

Function	Description
None	-
PLC input	Input signal from the PLC
PLC output	Output signal to the PLC
Sensor 5	Start sensor zone 1 (polarity must be negative)
Sensor 6	Spare
Sensor 7	Spare
Sensor 8	Spare
Control input 1	Stops zone 1
Control input 2	Stops zone 2
Control input 3	Stops zone 3
Control input 4	Stops zone 4
Control input 5–8	No function
Control output 1	Zone 1 occupied
Control output 2	Zone 2 occupied

Function	Description	
Control output 3	Zone 3 occupied	
Control output 4	Zone 4 occupied	
Control output 5–8	No function	
Handshake in up	Handshake signals to neighbouring ZPA modules	
Handshake in down		
Handshake in left		
Handshake in right		
Handshake out up		
Handshake out down		
Handshake out left		
Handshake out right		
VDC motor #1 error in		VDC motor error input
VDC motor #2 error in		
VDC motor #1 direction out	VDC motor directional rotation	
VDC motor #2 direction out		
VDC motor #1 step pulse out	VDC motor pulse output	
VDC motor #2 step pulse out		

The functions have no influence on the "I/O device" control program.

Shutdown Aux Output

- | | |
|---------------|---|
| Not activated | The aux outputs are reset when the RollerDrive voltage is switched off and cannot be controlled. |
| Activated | The Aux outputs keep their current status when the RollerDrive voltage is switched off and can still be controlled. |



The functions vary depending on the selected control program (see the description of control programs in the "MultiControl / RollerDrive - Start-up and Programming" supplement).

Press the "Submit" button to transfer the modified parameters to the MultiControl.

Start-up and operation

Control Program Settings

Control Program Settings

Control Program Settings
Program ID : I/O_Device
Version : 2017-12-11

Control Timer
Timer 1 [ms] :
Timer 2 [ms] :
Timer 3 [ms] :
Timer 4 [ms] :

Selection of control programs

ZPA single release program ID	ZPA train release program ID	ZPA module program ID	No ZPA program ID
Single release 1 zone	Train release 1 zone	ZPA transfer in	I/O device
Single release 2 zone	Train release 2 zone	ZPA transfer out	
Single release 3 zone	Train release 3 zone	ZPA merge	
Single release 4 zone	Train release 4 zone	ZPA HPD	
		HPD semi automatic	
		Transfer semi automatic	

Control Timer

- Timer 1: Single release: Transfer communication time
Train release: Time-delayed start of the RollerDrive
- Timer 2: Internal monitoring of the material to be conveyed
- Timer 3: RollerDrive overrun
- Timer 4: Error reset



The functions and default settings for the timers vary depending on the selected control program (see the description of control programs in the "MultiControl / RollerDrive - Start-up and Programming" supplement).

Press the "Submit" button to transfer the modified parameters to the MultiControl.

Error State

Error State	
Error Info	
State	: Operational
Active Error	: BusComFail (21)
Last Error	: 00:02:29:756 51 DriveError #2

- Display of the current status of the MultiControl
- Display of the current error
- Display of the most recent error

Error Handling Settings

Error Handling Settings	
System Errors	
Network Error	: Warning <input type="checkbox"/>
Over Voltage Error	: Warning <input type="checkbox"/>
Under Voltage Error	: Warning <input type="checkbox"/>
Motor Error	: Warning <input type="checkbox"/>
Generl Control Error	: Ignore <input type="checkbox"/>
Sensor Error	: Ignore <input type="checkbox"/>
Control Errors	
Control Error 1	: Ignore <input type="checkbox"/>
Control Error 2	: Ignore <input type="checkbox"/>
Control Error 3	: Ignore <input type="checkbox"/>
Control Error 4	: Ignore <input type="checkbox"/>
Control Error 5	: Ignore <input type="checkbox"/>
Control Error 6	: Ignore <input type="checkbox"/>
Control Error 7	: Ignore <input type="checkbox"/>
Control Error 8	: Ignore <input type="checkbox"/>
<input type="button" value="Submit"/> <input type="button" value="Reset"/>	

Network error

Monitoring of communication between MultiControl and PLC:

- Ignore: Error is not displayed.
- Warning: Error is indicated by fault LED flashing twice.
The conveying process is not interrupted.
- Immediate stop: Error is indicated by fault LED flashing twice.
The conveying process is interrupted.



If the MultiControl is operated without PLC, we recommend the "Ignore" setting.

If the MultiControl is operated with PLC, we recommend the "Immediate stop" setting.

Over voltage error

Supply voltage too high:

- Ignore: Error is not displayed.
- Warning: Error is indicated by fault LED flashing six times.
The conveying process is not interrupted.
- Immediate stop: Error is indicated by fault LED flashing six times.
The conveying process is interrupted.

Start-up and operation

Under voltage error

Supply voltage too low:

- Ignore: Error is not displayed.
- Warning: Error is indicated by fault LED flashing five times.
The conveying process is not interrupted.
- Immediate stop: Error is indicated by fault LED flashing five times.
The conveying process is interrupted.

Motor error

Monitoring of the motors:

- Ignore: Error is not displayed.
- Warning: Error is indicated by fault LED flashing three times.
The LED goes out when the error is no longer present. Further motors connected to the MultiControl rotate.
- Immediate stop: Error is indicated by fault LED flashing three times.
Further motors connected to the MultiControl stop.

General control error

Monitoring of the control system:

- Ignore: Error is not displayed.



"Immediate stop" and "Normal stop" have the same function.

The control error 1–8 settings have no function.

Press the "Submit" button to transfer the modified parameters to the MultiControl.

Changes only come into effect when the control is switched off/on.

MultiControl Error Log

MultiControl Error Log		
Error Info 0		
Time	Error	Description
00:00:06:823	70	SystemRestart
00:00:06:460	70	SystemRestart
00:00:06:459	70	SystemRestart
00:00:06:790	70	SystemRestart
00:00:06:799	70	SystemRestart
00:00:07:823	22	BusStartUp
00:00:11:131	102	NewStateTable
00:00:11:153	102	NewStateTable
00:00:11:154	50	DriveError #1
00:00:11:154	51	DriveError #2
00:00:11:154	52	DriveError #3
00:00:11:154	53	DriveError #4
00:00:11:161	50	DriveError #1
00:00:11:161	51	DriveError #2

Error log for the most recent errors/messages with time stamp.

For an explanation of error codes, see „Error codes“ on page 62.

Start-up and operation

Teach-in



WARNING

Risk of crushing due to unintentional start-up of the RollerDrive!

- Changes in this menu have direct influence on the connected RollerDrive!
- Before starting motors make sure, ensure that no persons are present in the hazardous areas surrounding the conveyor system!

Teach-in

Teach-in Feature
Please read the manual before trigger any of the options below!

 Init
 Start
 Finish
 Abort

SubmitReset

Plug&Play

Plug&Play

Plug and Play Feature
Enabled Submit



The "Teach-in" and "Plug&Play" functions are described in the "MultiControl / RollerDrive - Start-up and Programming" supplement.

CAN Gateway

CAN Gateway

CAN Bus Terminal

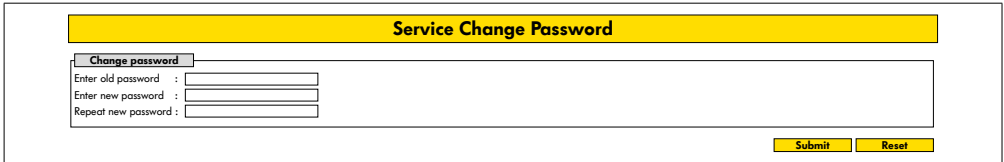
Mode	Node ID	SDO Idx	Sub Idx	Length	Data
Read	<input type="text" value="dec num"/>	<input type="text" value="hex num"/>	<input type="text" value="hex num"/>	<input type="text" value="dec num"/>	<input type="text" value="hexabytes, e.g. 0FF640"/>
Write					

Send

Node 0>> Response: Unknown, Error: 0

Only used for service purposes.

Service Change Password

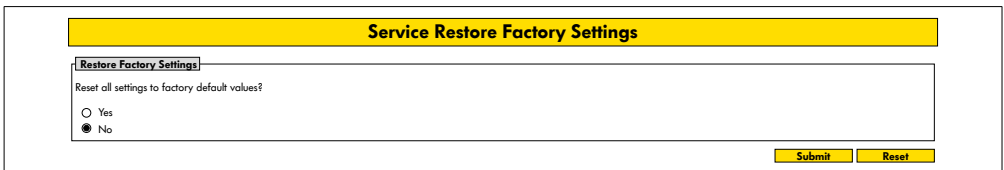


- To change the password, enter the old password followed by the new password twice and transfer this to the MultiControl by pressing the “Submit” button.



- The user name cannot be changed.
- Loading the default settings resets the changed password to the default.

Service Restore Factory Settings



Loading the default settings:

- Select “Yes”
- “Submit” button

NOTE

Irreparable damage to the MultiControl due to premature shutdown of the supply voltage

- Ensure that the power supply is not interrupted until the restart is complete. This process takes approx. two minutes.

Start-up and operation

Service MultiControl Restart

Service MultiControl Restart

MultiControl restart

CAUTION: A restart of MultiControl will stop the control process and interrupt the network connection.

Do you want to restart MultiControl now?

Yes

No

Submit Reset

Restarting the MultiControl:

- Select "Yes"
- "Submit" button



While the MultiControl is being restarted, the existing bus connection to the computer or PLC is interrupted and this must subsequently be restored.

Service Version Information

Service Version Information

Version Info

Hardware Version	: Vx
Hardware Variant	: Bus
Application Software Version	: Vx.x.x.x
System Software Version	: Vx.x.x.x
Network Software Version	: Vx.x.x.x
Serial Number	: 00000093
MAC Address	: 24:0b:b1:20:01:70

Display of the version, serial number and software version of the MultiControl.

Service – Up-/Download

Up- Download

<div style="background-color: #e0e0e0; padding: 2px; margin-bottom: 5px;">Download</div> <p>For download under a different name, please use „Right Click -> Save As...“-option</p> <p>Bus Config : download</p> <p>Application Config : download</p>	<div style="background-color: #e0e0e0; padding: 2px; margin-bottom: 5px;">Upload</div> <p>To make settings effective, please restart module afterwards!</p> <p>Bus Config : upload</p> <p>Application Config : upload</p>
--	--

The MultiControl settings can be downloaded via the user interface and saved to a computer. By storing this data, the settings can be restored when the MultiControl is replaced.

- Right-click on the desired file and select “Save as” to save to the connected PC.



Follow the correct sequence for the upload.

- Bus config
- Application config

NOTE

Irreparable damage to the MultiControl due to premature shutdown of the supply voltage

- Ensure that the power supply is not interrupted during the entire process of changing the bus type until the restart is complete. This process takes approx. two minutes.

Start-up and operation

6.4 Magnetic sensor

The magnetic sensor can be used to perform the following functions:

- Setting the sensors
- Setting the bus type
- Executing the teach-in process
- Switching the LED displays for the sensors / I/Os on or off
- Deactivating Plug&Play
- Resetting the MultiControl to the default settings

A magnet is required in order to operate the magnetic sensor (see „Accessories“ on page 66). The magnetic sensor is located on the top of the MultiControl, between the two Rs of “INTERROLL” directly in front of the base plate (see „Setup“ on page 16).



Further information can be found in the "MultiControl / RollerDrive - Start-up and Programming" supplement.

6.5 Service data objects (SDO)

Virtually all MultiControl settings (except the bus type) can be modified by means of acyclical communication. This communication corresponds to the service data objects (SDO) of the CANopen protocol. They can be accessed via the RDREC and WRREC functions according to IEC 61131-3.



Further information can be found in the "MultiControl / RollerDrive - Start-up and Programming" supplement.

Ethernet/IP, Object Class Adapter = 0x64, Get Attribute Single, Set Attribute Single

Profinet, HW Identification acyclic access point, RDREC, WRREC

6.6 Operation



WARNING

Risk of crushing due to unintentional start-up of the RollerDrive!

- Before switching on the power supply, ensure that no persons are present in the hazardous areas surrounding the conveyor system!
- In ZPA mode, all connected RollerDrives carry out an initialization run for a maximum of four seconds after switching on the supply voltage!



When the MultiControl is functioning as an I/O device, it cannot start or stop motors or carry out other actions independently. To do this, it requires commands from a higher-level control system, e.g. a PLC.

Check before every start-up

- Check all MultiControls for any visible damage.
- Check all protective equipment.
- Ensure that none of the RollerDrives connected to the MultiControl are jammed.
- Specify in detail how the material to be conveyed should be set down on the conveyor and monitor this to ensure it is carried out correctly.



Take the ambient conditions into account during operation (see „Technical Specifications“ on page 19).

Start

- Ensure that the ambient conditions are maintained during operation (see „Technical Specifications“ on page 19).
- Switch on the power supply.
- MultiControl BI: After switching on the motor voltage, wait 30 seconds until all connected RollerDrive are initialized.
- Send the corresponding signal to the MultiControl.

Stop

The conveyor system will stop under the following circumstances:

- When the power supply is switched off
- When no start signal is present
- When an error from a corresponding error class is present (see „Error Handling Settings“ on page 45)

Start-up and operation

6.7 Procedure in the event of accidents or faults

- Stop the conveyor system immediately, switch off the power supply and ensure that it cannot be unintentionally switched on again.
- In the event of an accident: Perform first aid and call for the emergency services.
- Inform the relevant supervisor.
- Have specialist personnel rectify the fault.
- Only resume operating the conveyor system once this has been approved by the specialist personnel.

7 Maintenance and cleaning



CAUTION

Risk of injury from following incorrect procedure.

- Maintenance and repair work must only be carried out by authorised and trained (specialist) personnel.
- Maintenance and repair work must only be carried out when the system has been disconnected from the power supply. Switch off the power to the MultiControl and ensure that it cannot be unintentionally switched on again.
- Put up signs to indicate that maintenance or cleaning work is being carried out.

7.1 Maintenance

Checking the MultiControl

The MultiControl itself requires no maintenance. However, in order to prevent faults from occurring, the connections and fixings must be examined on a regular basis.

- In the course of regular inspection and maintenance work on the conveyor, ensure that the screws of the MultiControl are still tight, that the cables are still arranged correctly and that the corresponding connections are correctly attached.

Replacing the MultiControl

If a MultiControl is damaged or defective, it must be replaced.



Do not attempt to open the MultiControl.

- Install a new MultiControl (see „Decommissioning“ on page 65 and „Assembling the MultiControl“ on page 22).
- Configure the new MultiControl (see „Start-up and operation“ on page 31).

Maintenance and cleaning

7.2 Cleaning

Under humid conditions, dust and dirt can cause a short circuit. Therefore, ensure dirty environments are cleaned regularly to prevent short circuits that could damage the MultiControl.

NOTE

The MultiControl can be damaged if it is not properly cleaned.

- Never immerse the MultiControl in fluids.
- If necessary, vacuum any dust or dust that is present.
- To clean the MultiControl more thoroughly, disconnect it from the power supply, detach it and wipe it with a damp cloth.

8 Assistance in the event of faults

8.1 Understanding the LEDs

LEDs on the MultiControl indicate the operating state of the conveyor.

Status description of the LEDs:

- Off: LED is permanently off
- On: LED is permanently on
- Flashes at 1 Hz: LED flashes at a frequency of 1 Hz; duty ratio 1:1
- Flashes at 2 Hz: LED flashes at a frequency of 2 Hz; duty ratio 1:1
- - : LED status is variable

General LEDs

Power	Ready	Net run	Fault	Meaning	Priority
On	On	On	Off	Ready for operation, no error	
-	On	Flashing 1 Hz	Off	Bus start-up mode: After starting, the system waits 30 s for a connection to be established by the PLC.	
-	-	-	Flashes x1	Error in the application program, e.g. time out	1
-	-	-	Flashes x2	Communication error: Connection not established within 30 s of start-up or connection to PLC lost. Error acknowledges itself automatically.	3
-	-	-	Flashes x3	RollerDrive error: Defective RollerDrive indicated by flashing of the corresponding "RD" LED	2
On	On	-	Flashes x4	No power supply to motors.	5
-	-	-	Flashes x5	Voltage error, undervoltage	4

Assistance in the event of faults

Power	Ready	Net run	Fault	Meaning	Priority
-	-	-	Flashes x6	Voltage error, overvoltage	4
-	-	-	Flashes x7	Temperature in the MultiControl too high.	6
-	-	-	Flashes x8	Overload protection for the brake resistor active.	7
-	-	-	Flashes x9	Handshake communication interrupted. See instructions on ZPA and ZPA+ applications.	
-	-	-	Flashes x10	No connection to the neighbouring devices. See instructions on ZPA and ZPA+ applications.	
-	-	-	Flashes x11	A configured neighbouring device has an error (see ZPA+, "RemoteEmergency" in the error log)	



If several errors occur at the same time, only the error with the highest priority is displayed.

- To eliminate the errors, refer to „Troubleshooting“ on page 59.

Connection LEDs

LED	Status	Meaning
Sensor 1 Sensor 2 Sensor 3 Sensor 4	On	Logical switching status of the displayed sensor: Positive logic configured and logical "1" (PNP 24 V, NPN 0 V) at the input, or negative logic configured and logical "0" at the input
I/O 1 I/O 2 I/O 3 I/O 4	On	Logical switching status of the displayed input/output: Positive logic configured and logical "1" (PNP 24 V, NPN 0 V) at the input, or negative logic configured and logical "0" at the input
RD 1 RD 2 RD 3 RD 4	On	Target value applied to the displayed RollerDrive
Link/act A Link/act B	On or flashing (with EtherCAT bus type)	Displayed network connection is OK

8.2 Troubleshooting

The MultiControl is a complex system. There are many correlations between all participants in the system. In such a system, errors are of course likely to occur, either as a result of the conveying processes or the interaction between the individual components. Not all errors can be displayed in detail and it is not always possible to make a correlation between the error location and the place at which it is displayed. More detailed error diagnosis is possible via the PLC.

If you are not able to successfully troubleshoot the problem or eliminate the error, contact Interroll Support and have the following information to hand:

- Serial number of the affected MultiControl
- Information about the configuration
- Information about the LED displays
- Information about the error codes

Assistance in the event of faults

Fault	Possible cause	Remedy
Communication error	Connection to PLC interrupted	<ul style="list-style-type: none">➤ Check the bus wiring➤ Check the bus type➤ Check the network address and bus name
RollerDrive error	Error signal from the RollerDrive or RollerDrive not connected to the activated motor output	<ul style="list-style-type: none">➤ Check the motor configuration➤ Ensure that all RollerDrives are connected correctly➤ Check for faults in accordance with the RollerDrive operating manual
No power supply to motors		<ul style="list-style-type: none">➤ Check the power supply (emergency stop?)
The MultiControl is not working or not working properly	No or insufficient power supply	<ul style="list-style-type: none">➤ Ensure that the power supply is within the specified voltage range➤ Check the connections and correct them if necessary
The MultiControl is defective or damaged	Internal fuse has been triggered or is defective	<ul style="list-style-type: none">➤ Replace the MultiControl

Assistance in the event of faults

Fault	Possible cause	Remedy
RollerDrive does not rotate	RollerDrive not or not correctly connected or RollerDrive defective	<ul style="list-style-type: none">➤ Ensure that the power supply is within the specified voltage range➤ Check the connections and correct them if necessary➤ Replace the RollerDrive if necessary
	Brake resistor overheating: The application is recovering too much energy or the power supply is too high	<ul style="list-style-type: none">➤ Allow the system to cool down➤ If necessary, reduce the ambient temperature➤ Ensure that the power supply is within the specified voltage range

Assistance in the event of faults

Error codes

No.	Short text	Comments
0	ApplErrorNone	No error in the application program
1	ApplErrUnk	Unknown error in the application program
2	ApplErrSystemSevere	Severe system error
3	ApplErrSystemMinor	Minor system error
4	ApplErrSystemWarning	Warning
5	PIlErrItemNotFound	Searched for object not found
6	ApplErrRange	Number outside the valid value range
10	ApplErrNoTerminlInput	Terminal has no input data
11	ApplErrStopByOperator	Terminal session aborted
12	ApplErrParamlll	Invalid parameter or input value
13	ApplErrModuleInit	Initialisation error in the module
14	ApplErrBufferOverflow	Buffer overflow
20	ApplErrInvalidBusConf	Invalid network or bus configuration
21	ApplErrBusCom	Network communication error
22	ApplErrBusStartUp	Network restart after system (re)start
23	ApplErrNbrMsgRegister	Message received from neighbouring device
24	ApplErrNbrMsgReceive	Error in communication with neighbouring device: Reception interrupted
25	ApplErrNbrMsgTransmit	Error in communication with neighbouring device: Transmission interrupted
26	ApplErrNbrMsgInvalid	Error in communication with neighbouring device: Invalid message received
27	ApplErrNbrHandShake	Error in communication with neighbouring device: No response to handshake message received
28	ApplErrNbrLifeCheck	Error in communication with neighbouring device: No life signal received from neighbouring device
29	ApplErrNbrEmergency	Error in communication with neighbouring device: No response to emergency stop message
30	ApplErrErrorDataUpdate	Access error to error data

Assistance in the event of faults

No.	Short text	Comments
31	ApplErrErrorLogUpdate	Access error to error log file
40	ApplErrPanelMode	Change of mode not permitted
41	ApplErrPanelLedBlocked	Access to LED control not permitted
42	ApplErrInvalidAppConf	Invalid configuration of the application program
50	ApplErrDriveError1	RollerDrive 1 error
51	ApplErrDriveError2	RollerDrive 2 error
52	ApplErrDriveError3	RollerDrive 3 error
53	ApplErrDriveError4	RollerDrive 4 error
60	ApplErrStateTable	Error in the application program
61	ApplErrCtrlError1	Specific errors in the application program. Errors in the ZPA/ZPA+ programs are explained in the "MultiControl / RollerDrive - Start-up and Programming" supplement.
62	ApplErrCtrlError2	
63	ApplErrCtrlError3	
64	ApplErrCtrlError4	
65	ApplErrCtrlError5	
66	ApplErrCtrlError6	
67	ApplErrCtrlError7	
68	ApplErrCtrlError8	
69	ApplErrStartProgram	Application program cannot be started
70	ApplErrSysRestart	(Re)start of the application program/system
71	ApplErrPowerFail	Voltage error: Supply voltage failure
90	ApplErrTemperature	Temperature error: Temperature at the brake resistor too high
91	ApplErrLowVoltage	Voltage error: Supply voltage (L2) too low
92	ApplErrHighVoltage	Voltage error: Supply voltage (L2) too high

Assistance in the event of faults

No.	Short text	Comments
93	ApplErrMotorVoltage	Voltage error: No motor voltage
94	ApplErrOvcOverloaded	Brake resistor overload
95	ApplErrRemoteEmergency	Emergency stop from neighbouring transfer device
96	ApplErrLogVoltLow	Voltage error: Supply voltage (L1) too low
97	ApplErrLogVoltHigh	Voltage error: Supply voltage (L1) too high
101	ApplErrInvalidStateTblConf	Error when loading the application program
102	ApplErrNewStateTable	New application program loaded
103	ApplErrInvalidErrConf	Invalid configuration for the selected application program
104	ApplErrInvalidTeachParams	Invalid parameters for teach-in procedure
105	ApplErrPapSaveConfig	Not possible to save connection settings for communication with neighbouring devices
106	ApplErrPapReadConfig	Not possible to read connection settings for communication with neighbouring devices

9 Decommissioning and disposal



CAUTION

Risk of injury from following incorrect procedure.

- Decommissioning must only be carried out by authorised, qualified personnel.
- Only decommission the MultiControl when the system has been disconnected from the power supply.
- Switch off the power to the MultiControl and ensure that it cannot be unintentionally switched on again.

9.1 Decommissioning

- Remove all cables from the MultiControl.
- Loosen the screws that have been used to attach the MultiControl to the base plate and remove the MultiControl.
- If the MultiControl is to be completely dismantled, also loosen the screws that have been used to attach the base plate to the conveyor frame and remove the base plate from the conveyor frame.

9.2 Disposal



In principle, the operator is responsible for the professional and environmentally friendly disposal of the products.

The implementation of the WEEE Directive 2012/19/EU in national laws must be observed.

Appendix

10 Appendix

10.1 Accessories

Article	Article number
Ribbon cable distributor	S-1115717
Ribbon cable for power supply (25 m)	S-1004030
High Performance power supply unit HP 5424	S-1113899
High Performance power supply unit HP 5448	S-1113900
Magnetic key	S-64100210
MultiControl Y-cable	S-1104460
MultiControl communication cable (3 m)	S-1104438
MultiControl dummy plugs	S-1104466
Pack: 3 x RollerDrive M8, plug-in 3 x sensor M8, screw-in 1 x communication M12, screw-in	
RollerDrive EC310 extension cable (2 m)	S-1004033
RollerDrive EC5000 extension cable (2 m)	S-1113897
Cable bridge for ribbon cable	S-1004028
Cable bridge for shielding	S-1113876

10.2 Declarations of Conformity

EU Declaration of Conformity

EMC Directive 2014/30/EU

RoHS Directive 2011/65/EU

The manufacturer

Interroll Software & Electronics GmbH
Im Südpark 183
4030 Linz
AUSTRIA

hereby declares that the

- **Interroll MultiControl AI – model number 1103563**
- **Interroll MultiControl BI – model number 1103564**

conform to the applicable provisions and the associated CE marking in accordance with the aforementioned Directives.

List of the coordinated standards that have been applied:

EN 61326-1:2013
EN 61000-3-2:2014
EN 61000-3-3:2013
EN 63000:2018

Authorised for compiling technical documentation:

Interroll Software & Electronics GmbH, Im Südpark 183, 4030 Linz

Andreas Eglseer
Managing Director, Interroll Software & Electronics GmbH
Linz, 01.07.2022

Appendix

CERTIFICATE OF COMPLIANCE

Certificate Number 2018-5-28-E496888
Report Reference E496888-D1000-1/A0/C0-UL
Issue Date 2018-5-28
Issued to: Interroll Engineering GmbH
Applicant Company: Hoeferhof 16
Wermelskirchen, 42929 Germany
Listed Company: Same as Applicant

This is to certify that representative samples of Multi Control Interface
1103563, 1103564

Have been investigated by UL in accordance with the Standard(s) indicated on this Certificate.

Standard(s) for Safety: UL 61010-1, 3rd Edition, May 11, 2012, Revised April 29 2016, CAN/CSA-C22.2 No. 61010-1-12, 3rd Edition, Revision dated April 1 2016

Additional Standards: UL61010-2-201, 1st Edition, Revised February 20, 2017, CAN/CSA-C22.2 No. 61010-2-201:14, 1st Edition, January 01, 2014

Additional Information: See the UL Online Certifications Directory at www.ul.com/database for additional information.

Only those products bearing the UL Certification Mark should be considered as being covered by UL's Certification and Follow-Up Service.

Look for the UL Certification Mark on the product.

This is to certify that representative samples of the product as specified on this certificate were tested according to the current UL requirements.


Bruce Mahrenz, Assistant Chief Engineer, Global Inspection and Field Services, UL LLC
Joseph Hoxey, General Manager, Director of Sales - Canada, UNDERWRITERS LABORATORIES OF CANADA INC.

Any information and documentation involving UL Mark services are provided on behalf of UL LLC (UL) or any authorized licensee of UL. For questions, please contact a local UL Customer Service Representative www.ul.com/contactus



Adresse du fabricant

Europe:

Interroll Software & Electronics GmbH
Im Südpark 183
4030 Linz
AUSTRIA

www.interroll.com

USA / Canada:

Interroll Corporation
3000 Corporate Drive
USA - Wilmington, NC 28405
Tel. +1 (910) 799 1100
Toll Free (800) 830 9680

www.interroll.us

Contenu

Nous nous efforçons d'assurer l'exactitude, la rapidité et l'exhaustivité des informations et avons soigneusement préparé le contenu de ce document. Indépendamment de cela, les erreurs et les changements sont expressément réservés..

Droit d'auteur / protection de la propriété industrielle

Toute manière de textes, d'images, de graphiques ou d'autres choses semblables, ainsi que leur arrangement, sont régis par la protection des droits d'auteur et d'autre lois de protection. Toute forme de reproduction, de modification, de transmission ou de publication partielle ou entière de ce document est interdite.

Ce document est destiné exclusivement à donner des informations et à l'opération selon les dispositions et ne justifie aucune imitation des produits concernés.

Tous les signes contenus dans ce document (marques protégées, comme des logos et des désignations commerciales) sont la propriété de Interroll Holding AG, CH ou de tiers et ne doivent pas être utilisés, copiés ou distribués sans autorisation écrite et préalable.

Sommaire

1	À propos du présent document	75
1.1	Informations sur cette notice d'utilisation	75
1.2	Avertissements dans ce document	76
1.3	Symboles	77
2	Informations concernant la sécurité	78
2.1	État de la technique	78
2.2	Utilisation conforme aux dispositions	78
	Domaine d'application	78
2.3	Utilisation contraire aux dispositions	79
2.4	Qualification du personnel	79
2.5	Dangers	80
	Dommages physiques	80
	Électricité	80
	Environnement de travail	80
	Pannes de fonctionnement	80
	Maintenance	80
	Démarrage involontaire	80
2.6	Interface avec d'autres appareils	81
2.7	Sécurité fonctionnelle	81
	Informations sur le niveau de performance selon DIN EN ISO 13849-1: 2015	81
2.8	Modes de fonctionnement / phases	82
	Fonctionnement normal	82
	Fonctionnement spécial	82
2.9	Documentation en vigueur	82
3	Informations produit	83
3.1	Description du produit	83
	Récupération de l'énergie / protection contre les surtensions	83
	Protection contre la surcharge	83
3.2	Construction	84
	MultiControl AI et BI	84
	Plaque de base	85
3.3	Volume de livraison	85
3.4	Plaque signalétique	86
3.5	Données techniques	87
3.6	Dimensions	88

4	Transport et stockage	89
4.1	Transport	89
4.2	Stockage	89
5	Montage et installation	90
5.1	Avertissements concernant le montage	90
5.2	Montage de la MultiControl	90
	Montage initial	90
	Nouveau montage	92
5.3	Avertissements concernant le montage électrique	93
5.4	Installation électrique	94
	Raccordement de l'alimentation électrique	94
	Raccordement du RollerDrive	95
	RollerDrive AI	95
	RollerDrive BI	95
	Raccordement bus	96
	Raccordement des capteurs	97
	Vue d'ensemble des raccordements	98
6	Mise en service et fonctionnement	99
6.1	Mise en service	99
	Contrôle avant la première mise en service	99
6.2	Possibilités de configuration	99
6.3	Interface utilisateur MultiControl	100
	Conditions préalables	100
	Démarrage de l'interface utilisateur	100
	Page d'accueil « MultiControl Overview »	102
	Network Settings	103
	Motor Settings	104
	Motor Information - MultiControl BI uniquement	106
	Motor Monitor - MultiControl BI uniquement	107
	Motor Test for EC5000	108

Sommaire

	Digital I/O States	109
	Digital I/O Settings	110
	Control Program Settings	112
	Error State	113
	Error Handling Settings	113
	MultiControl Error Log	115
	Teach-in	116
	Plug&Play	116
	CAN Gateway	116
	Service Change Password	117
	Service Restore Factory Settings	117
	Service MultiControl Restart	118
	Service Version Information	118
	Service - Up-/Download	119
6.4	Capteur magnétique	120
6.5	Service Data Objects (SDO)	120
6.6	Fonctionnement	121
	Contrôle avant chaque mise en service	121
	Démarrage	121
	Arrêt	121
6.7	Procédure en cas d'accident ou de panne	122
7	Maintenance et nettoyage	123
7.1	Maintenance	123
	Vérification de la MultiControl	123
	Remplacement de la MultiControl	123
7.2	Nettoyage	124
8	Aide en cas de pannes	125
8.1	Signification des LED	125
	LED générales	125
	LED des connexions	127
8.2	Recherche d'erreurs	127
	Cordes d'erreur	130

9	Démontage et élimination	133
9.1	Démontage	133
9.2	Élimination	133
10	Annexe	134
10.1	Accessoires	134
10.2	Déclarations de conformité	135



1 À propos du présent document

1.1 Informations sur cette notice d'utilisation

Cette notice d'utilisation décrit les versions suivantes de la MultiControl Interroll :

- MultiControl AI Interroll avec interface analogique
- MultiControl BI Interroll avec interface bus CANopen

Par la suite, le nom « commande » pourra également être utilisé comme désignation.

La notice d'utilisation fait partie du produit et contient des remarques et informations importantes sur les différentes phases de fonctionnement de la MultiControl. Elle décrit la MultiControl au moment de sa livraison par Interroll.

Vous trouverez la version actuelle de la présente notice d'utilisation sur Internet à l'adresse :

www.interroll.com

Toutes les informations et remarques de la présente notice d'utilisation ont été rassemblées en tenant compte des normes et directives en vigueur et de l'état de la technique.

- Pour un fonctionnement sans problème et sûr, et pour d'éventuelles revendications de garantie, veuillez lire d'abord la notice d'utilisation et suivre les remarques.
- Conservez la notice d'utilisation à proximité de la MultiControl.
- Transmettez la notice d'utilisation à tout propriétaire ou utilisateur ultérieur.



Le fabricant n'assume aucune responsabilité pour les dommages et pannes de fonctionnement qui résultent du non-respect de la présente notice d'utilisation.



Si vous avez encore des questions après avoir lu la notice d'utilisation, contactez le service client d'Interroll. Vous trouverez des interlocuteurs proches de vous sur Internet à l'adresse www.interroll.com/contact/

Pour toute remarque ou suggestion relatives à nos notices d'utilisation, rendez-vous sur manuals@interroll.com

À propos du présent document

1.2 Avertissements dans ce document

Les avertissements sont mentionnés dans le contexte dans lequel un danger peut survenir, sur lequel porte l'avertissement. Ils sont organisés selon le modèle suivant :



MOT CLÉ

Nature et source du danger

Conséquence(s) en cas de non-respect

➤ Mesure(s) pour éviter le danger

Les avertissements caractérisent la nature et la gravité des conséquences si les mesures pour éviter le danger ne sont pas respectées.



DANGER

Désigne un danger immédiat !

Si les mesures pour éviter le danger ne sont pas respectées, les conséquences sont le décès ou de graves blessures.

➤ Mesures pour éviter



AVERTISSEMENT

Désigne une situation potentiellement dangereuse !

Si les mesures pour éviter le danger ne sont pas respectées, les conséquences peuvent être le décès ou de graves blessures.

➤ Mesures pour éviter



ATTENTION

Désigne une situation éventuellement dangereuse !

Si les mesures pour éviter le danger ne sont pas respectées, les conséquences peuvent être des blessures légères ou moyennes.

➤ Mesures pour éviter

REMARQUE

Désigne une situation qui peut entraîner des dommages matériels.

- Mesures pour éviter

1.3 Symboles



Ce symbole indique des informations utiles et importantes.

- ✓ Ce signe désigne une condition qui doit être remplie avant les travaux de montage ou de maintenance.



Ce symbole désigne des informations générales concernant la sécurité.

- Ce signe indique qu'une action est requise.
- Ce signe indique des énumérations.



Ce signe désigne des informations concernant le MultiControl avec homologation UL / CSA.

Informations concernant la sécurité

2 Informations concernant la sécurité

2.1 État de la technique

La MultiControl d'Interroll est montée en tenant compte des normes en vigueur et de l'état de la technique et elle est livrée pour un fonctionnement en toute sécurité. Toutefois, des risques peuvent apparaître pendant l'utilisation.



Le non-respect des remarques dans la présente notice d'utilisation peut entraîner des blessures mortelles !

En outre, les directives locales de prévention des accidents en vigueur pour le domaine d'utilisation et les dispositions générales de sécurité doivent être respectées.

2.2 Utilisation conforme aux dispositions

La MultiControl peut exclusivement être utilisée dans un environnement industriel à des fins industrielles dans le cadre des limites de puissance fixée et indiquées dans les Données techniques.

Elle peut piloter jusqu'à quatre RollerDrive ou moteurs VDC Interroll et doit être intégrée dans une unité de convoyage ou une installation de convoyage avant d'être mise en service.



Lors du raccordement d'un moteur VDC, il est nécessaire d'utiliser un adaptateur adéquat.

La MultiControl AI, 24 V DC peut également être utilisée pour piloter le PalletControl Interroll.

Domaine d'application

Les domaines d'application suivants sont possibles :

Utilisation d'une API	Fonction d'une API	Fonction de la MultiControl
Non	Aucun(e)	
Oui	<ul style="list-style-type: none">Influence sur la logique ZPASuivi des produits transportésDiagnostic des erreurs	Mise en œuvre des spécifications API
Oui	<ul style="list-style-type: none">Le programme API pilote tous les RollerDrive raccordésSuivi des produits transportésDiagnostic des erreurs	Fonction en tant que carte réseau Envoi à la API l'état de tous les capteurs du RollerDrive voire les informations d'erreur

2.3 Utilisation contraire aux dispositions

Tout usage allant au-delà de l'utilisation conforme aux dispositions n'est pas considéré conforme aux dispositions ou doit le cas échéant être approuvé par la société Interroll Engineering GmbH.

L'installation dans des locaux dans lesquels des matériaux peuvent former des atmosphères explosives/poussièreuses, ainsi que l'utilisation dans le domaine médico-pharmaceutique sont interdites.

L'installation dans des locaux non protégés exposés aux intempéries ou des zones dans lesquelles la technique est affectée et peut dysfonctionner à cause des conditions climatiques n'est pas considéré comme une utilisation conforme aux dispositions.

L'utilisation de la MultiControl n'est pas destinée aux consommateurs particuliers ! L'utilisation dans une habitation est interdite sans contrôle supplémentaire et sans utiliser des mesures de protection CEM adaptées en conséquence !

L'utilisation en tant que composant de sécurité ou pour assurer des fonctions de sécurité est interdite.

2.4 Qualification du personnel

Un personnel non qualifié ne peut pas identifier les risques et est donc exposé à des risques plus élevés.

- Ne confier les activités décrites dans la présente notice d'utilisation qu'à un personnel qualifié.
- L'opérateur est responsable du fait que le personnel respecte les dispositions et règles en vigueur localement pour des travaux en sécurité et en conscience du danger.

La présente notice d'utilisation s'adresse aux groupes cibles suivants :

Opérateurs

Les opérateurs sont formés au fonctionnement et au nettoyage de la MultiControl Interroll et respectent les directives de sécurité.

Personnel de service

Le personnel de service dispose d'une formation technique spécialisée ou a suivi une formation du fabricant et effectue les travaux de maintenance et de réparation.

Électriciens qualifiés

Un électricien qualifié dispose d'une formation technique et doit également effectuer les travaux sur les installations électriques de manière conforme sur la base de ses connaissances et de son expérience et des connaissances des dispositions applicables dans la situation. Il peut identifier seul les éventuels dangers et éviter les dommages corporels et matériels causés par la tension électrique.

L'ensemble des travaux sur l'installation électrique doivent en principe être effectués uniquement par des électriciens qualifiés.

Informations concernant la sécurité

2.5 Dangers



Vous trouverez ici des informations sur les différents types de dangers ou de dommages qui peuvent survenir dans le cadre de l'utilisation de la MultiControl.

Dommages physiques

- Ne faire réaliser les travaux de maintenance, d'installation et de réparation sur l'appareil que par un personnel spécialisé habilité en respectant les dispositions en vigueur.
- S'assurer avant de mettre en marche la MultiControl qu'aucun personnel non autorisé ne se trouve à proximité du convoyeur / de l'installation de convoyage.

Électricité

- Ne réaliser des travaux d'installation et de maintenance qu'en l'absence de courant. Mettre la MultiControl hors tension et la sécuriser contre une remise en marche involontaire.

Environnement de travail

- Retirer le matériel et les objets non nécessaires de la zone de travail.

Pannes de fonctionnement

- Contrôler régulièrement la présence de dommages visibles sur la MultiControl.
- En cas d'apparition de fumée, mettre la MultiControl immédiatement hors tension et la sécuriser contre une remise en marche involontaire.
- Contacter immédiatement le personnel spécialisé pour évaluer la cause de la panne.

Maintenance

- Étant donné qu'il s'agit d'un produit sans maintenance, il suffit de contrôler régulièrement la présence de dommages visibles sur la MultiControl.
- Ne jamais ouvrir la MultiControl !

Démarrage involontaire

- S'assurer que le RollerDrive raccordé ne puisse pas être mis en marche involontairement, notamment pendant le montage, pendant les travaux de maintenance et en cas d'erreur.

Informations concernant la sécurité

2.6 Interface avec d'autres appareils

Lors de l'intégration de la MultiControl dans une installation de convoyage, des zones dangereuses peuvent apparaître. Ces zones dangereuses ne font pas l'objet de la présente notice d'utilisation et doivent être analysées lors du développement, de l'installation et de la mise en service de l'installation de convoyage.

- Après intégration de la MultiControl dans une installation de convoyage, l'installation complète doit être vérifiée par rapport à de nouvelles zones dangereuses éventuelles avant de mettre en marche le convoyeur.

2.7 Sécurité fonctionnelle

Informations sur le niveau de performance selon DIN EN ISO 13849-1 : 2015

L'analyse statistique du MultiControl AI / BI selon la « Part Counts Method » a conduit au résultat suivant si la température ambiante maximale autorisée de 40° C est respectée:

MTTF (h):

812691 Heures

MTTF (a):

93 Années

À condition que le comportement du MultiControl soit modifié en cas d'erreurs importantes du système dans les « Error Handling Settings » de l'interface utilisateur MultiControl, cela se traduit par un niveau de performance atteignable de « C » (voir „Error Handling Settings“ à la page 113).

Error Handling Settings	
System Errors	
Network Error	: Immediate Stop <input type="checkbox"/> <input checked="" type="checkbox"/>
Over Voltage Error	: Immediate Stop <input type="checkbox"/> <input checked="" type="checkbox"/>
Under Voltage Error	: Immediate Stop <input type="checkbox"/> <input checked="" type="checkbox"/>
Motor Error	: Immediate Stop <input type="checkbox"/> <input checked="" type="checkbox"/>
General Control Error	: Immediate Stop <input type="checkbox"/> <input checked="" type="checkbox"/>
Sensor Error	: Ignore <input type="checkbox"/> <input checked="" type="checkbox"/>
Control Errors	
Control Error 1	: Ignore <input type="checkbox"/> <input checked="" type="checkbox"/>
Control Error 2	: Ignore <input type="checkbox"/> <input checked="" type="checkbox"/>
Control Error 3	: Ignore <input type="checkbox"/> <input checked="" type="checkbox"/>
Control Error 4	: Ignore <input type="checkbox"/> <input checked="" type="checkbox"/>
Control Error 5	: Ignore <input type="checkbox"/> <input checked="" type="checkbox"/>
Control Error 6	: Ignore <input type="checkbox"/> <input checked="" type="checkbox"/>
Control Error 7	: Ignore <input type="checkbox"/> <input checked="" type="checkbox"/>
Control Error 8	: Ignore <input type="checkbox"/> <input checked="" type="checkbox"/>
<input type="button" value="Submit"/> <input type="button" value="Reset"/>	

Afin de remplir une fonction de sécurité, la déconnexion de sécurité de la tension de charge (tension moteur) est également nécessaire.

Informations concernant la sécurité

2.8 Modes de fonctionnement / phases

Fonctionnement normal

Fonctionnement dans l'état monté chez le client final en tant que composant d'un convoyeur dans une installation complète.

Fonctionnement spécial

Le fonctionnement spécial correspond à tous les modes de fonctionnement / phases de fonctionnement nécessaires pour garantir et maintenir le fonctionnement normal en toute sécurité.

Mode de fonctionnement spécial	Remarque
Transport/stockage	-
Montage/mise en service	Hors tension
Nettoyage	Hors tension
Maintenance/réparation	Hors tension
Recherche de panne	-
Réparation de panne	Hors tension
Démontage	Hors tension
Élimination	-

2.9 Documentation en vigueur

La MultiControl AI / BI fait partie de la **plate-forme DC Interroll**, qui comprend les éléments suivants :

- Bloc d'alimentation High Performance HP5424 ou HP 5448 (24 V DC / 48 V DC) Interroll
- MultiControl AI / BI Interroll
- RollerDrive EC5000 AI / BI (24 V DC / 48 V DC)
- DriveControl 20 / 54 / 2048 Interroll



Veillez respecter les instructions des notices d'utilisation des appareils raccordés.

Le document complémentaire « MultiControl / RollerDrive - Start-up and Programming » contient de plus amples informations au sujet de l'utilisation et de la programmation de la MultiControl.

Vous trouverez la version actuelle de ce document complémentaire sur Internet à l'adresse : www.interroll.com

3 Informations produit

3.1 Description du produit

La MultiControl est une commande dédiée aux installations de convoyage capable de piloter jusqu'à quatre RollerDrive Interroll. Il s'agit également d'un appareil E/S certifié pour PROFINET, EtherNet/IP et EtherCAT, qui peut par conséquent être connecté à d'autres MultiControl et à une API.

Les capteurs et les RollerDrive peuvent être intégrés directement dans le niveau bus de terrain via la MultiControl. Un niveau capteur/actionneur supplémentaire n'est de ce fait absolument pas nécessaire.

La MultiControl est déjà équipée de certaines applications préprogrammées conçues pour les applications spécifiques de logique de convoyage. Elle peut ainsi être utilisée comme commande individuelle, avec ou sans API reliée.

La MultiControl est compatible avec tous les modules de convoyage 24 V et 48 V d'Interroll Automation GmbH. Des programmes ZPA (Zero Pressure Accumulation) sont utilisés dans le cas du fonctionnement des modules de convoyage sans pression dynamique.

La MultiControl BI communique avec le RollerDrive EC5000 BI raccordé via le protocole CANopen.



Vous trouverez de plus amples informations sur les programmes et les fonctions intégrés dans le document complémentaires « MultiControl / RollerDrive - Start-up and Programming ».

Récupération de l'énergie / protection contre les surtensions

Lorsque le RollerDrive est arrêté ou que la vitesse est brusquement réduite, l'énergie cinétique du produit transporté dans le RollerDrive est convertie en énergie électrique. Cette énergie est réintroduite dans le système où elle peut être utilisée par d'autres RollerDrive.

Si la quantité d'énergie réintroduite est supérieure à la quantité d'énergie utilisable, l'énergie excédentaire est convertie en chaleur par un hacheur de frein dans la MultiControl. Le hacheur de frein devient actif lorsque la tension dépasse 28 V / 52 V. Cela permet d'éviter des tensions trop élevées à l'intérieur du système.



Prêtez attention à la résistance à la réinjection des blocs d'alimentation utilisés.

Nous recommandons l'utilisation des alimentations haute performance Interroll HP 5424 / HP5448 avec une force de régénération jusqu'à 35 V / 60 V.

Avec le MultiControl 24 V, il est possible de réduire la tension de fonctionnement du hacheur de freinage à 26 V (voir „Motor Settings“ à la page 104).

Protection contre la surcharge

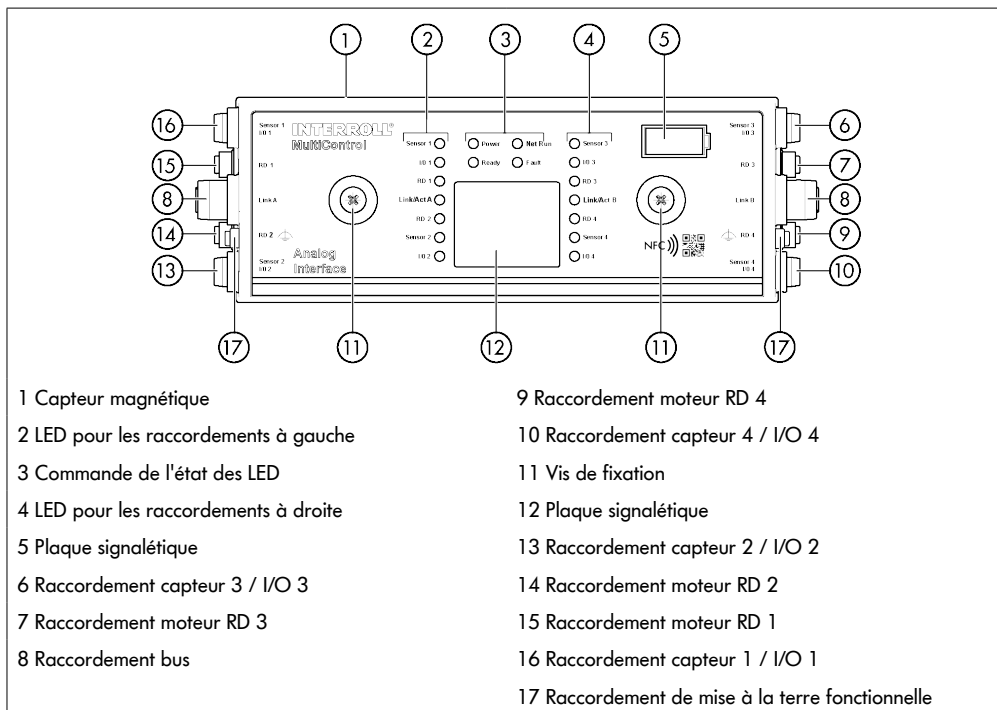
Si le circuit d'interruption de freinage reste enclenché pendant plus de deux secondes, il est remis à l'arrêt car on suppose alors que le bloc d'alimentation délivre une mauvaise tension. La protection activée contre les surcharges est signalée par une LED. Tant que la protection contre les surcharges est activée, les moteurs ne peuvent pas être enclenchés.

La MultiControl ne fournit pas de mécanisme de protection contre la surchauffe du RollerDrive raccordé.

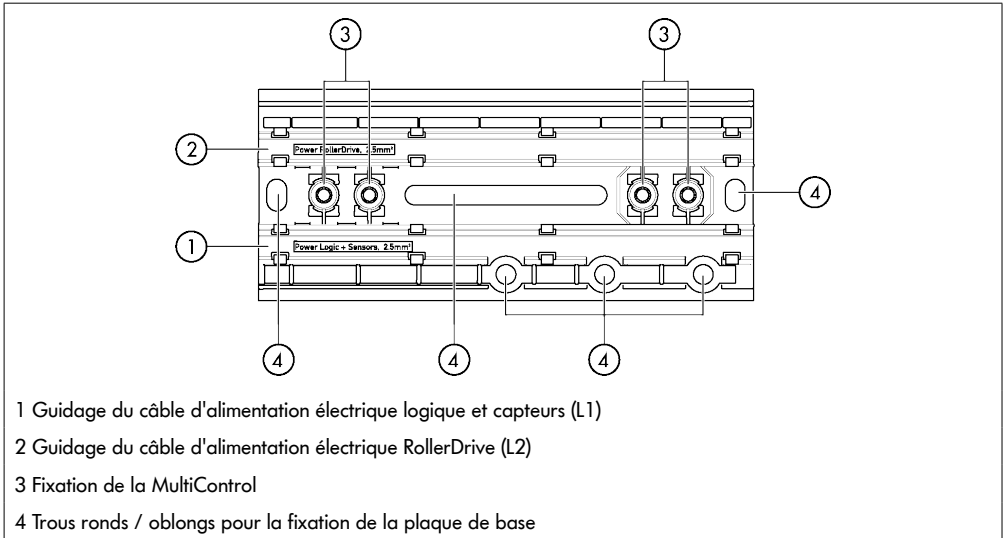
Informations produit

3.2 Construction

MultiControl AI et BI



Plaque de base



3.3 Volume de livraison

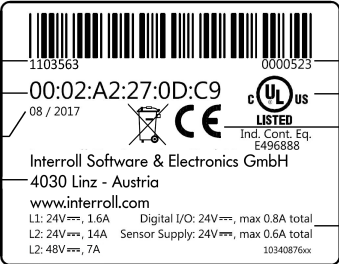
Les pièces suivantes sont fournies à la livraison de la MultiControl :

- MultiControl
- Plaque de base
- Deux vis pour la fixation de la MultiControl sur la plaque de base

Informations produit

3.4 Plaque signalétique

Les informations sur la plaque signalétique permettent d'identifier la MultiControl. C'est indispensable pour pouvoir utiliser la MultiControl conformément aux dispositions.



The diagram shows a rectangular product label with the following fields and callouts:

- 1: 1103563 (left side)
- 2: 00:02:A2:27:0D:C9 (top left)
- 3: 08 / 2017 (top left)
- 4: Interroll Software & Electronics GmbH, 4030 Linz - Austria, www.interroll.com (middle)
- 5: 0000523 (top right)
- 6: UL LISTED logo (top right)
- 7: Ind. Cont. Eq. E496888 (top right)
- 8: L1: 24V^{max}, 1.6A Digital I/O: 24V^{max}, max 0.8A total; L2: 24V^{max}, 1.4A Sensor Supply: 24V^{max}, max 0.6A total; L2: 48V^{max}, 7A (bottom)

1 Référence article	5 Numéro de série
2 Adresse MAC	6 Marquage UL
3 Semaine/année de production	7 Marquage CE
4 Fabricant	8 Données de connexion



The diagram shows an NFC chip icon with callout 9 and a QR code with callout 10.

9 Référence à la puce NFC dans l'étiquette	10 QR Code
--	------------

Les données spécifiques au produit peuvent être lues via l'Interroll Product App et la puce NFC intégrée dans la plaque signalétique. L'application produit Interroll est disponible dans tous les magasins d'applications connus ou via le lien suivant :

<https://product.interroll.com/download>

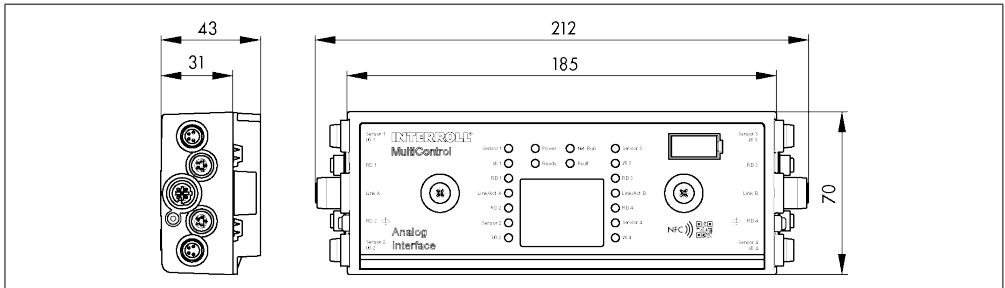


3.5 Données techniques

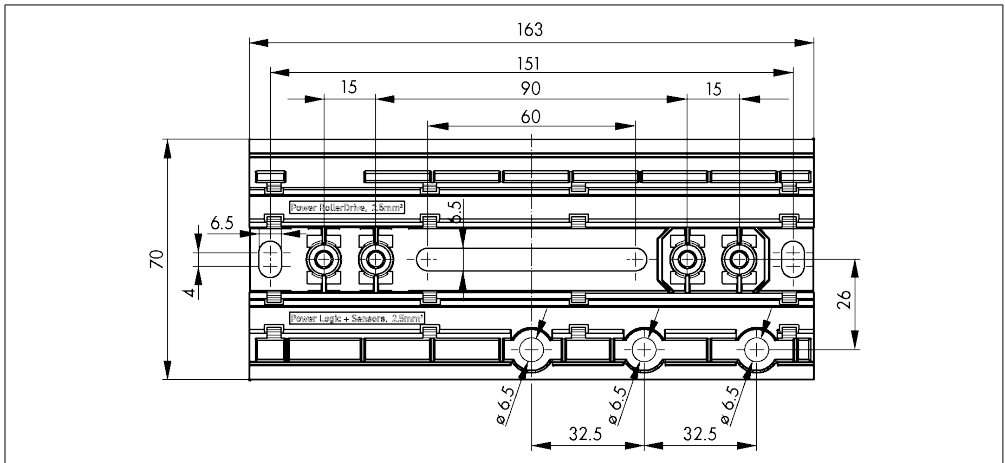
Tension nominale logique et capteurs (L1)	24 V DC, basse tension de protection PELV					
Plage de tension L1	22 à 27,5 V DC					
Tension nominale RollerDrive (L2)	24 V DC, basse tension de protection PELV	48 V DC, basse tension de protection PELV				
Plage de tension L2	22 à 27,5 V DC	44 à 51,5 V DC				
Consommation électrique	<p>Tension d'alimentation logique L1 :</p> <p>MultiControl : max. 0,2 A + capteurs/actionneurs raccordés = max. 1,6 A</p> <p>Tension d'alimentation du RollerDrive L2 :</p> <table border="1"> <tr> <td>Courant nominal RollerDrive : max. 4 x 3,5 A = 14,0 A</td> <td>Courant nominal RollerDrive : max. 4 x 1,75 A = 7,0 A</td> </tr> <tr> <td>Courant de démarrage du RollerDrive : max. 4 x 7,5 A = 30,0 A</td> <td>Courant de démarrage du RollerDrive : max. 4 x 3,8 A = 15,2 A</td> </tr> </table>		Courant nominal RollerDrive : max. 4 x 3,5 A = 14,0 A	Courant nominal RollerDrive : max. 4 x 1,75 A = 7,0 A	Courant de démarrage du RollerDrive : max. 4 x 7,5 A = 30,0 A	Courant de démarrage du RollerDrive : max. 4 x 3,8 A = 15,2 A
Courant nominal RollerDrive : max. 4 x 3,5 A = 14,0 A	Courant nominal RollerDrive : max. 4 x 1,75 A = 7,0 A					
Courant de démarrage du RollerDrive : max. 4 x 7,5 A = 30,0 A	Courant de démarrage du RollerDrive : max. 4 x 3,8 A = 15,2 A					
Classe de protection	IP54 (pas de certification UL)					
Degré de pollution	2					
Poids	500 g (plaque de base inc.)					
Température ambiante en fonctionnement	-30 °C à +40 °C (-22 °F to +104 °F)					
Température ambiante du transport et du stockage	-40 °C à +80 °C (-40 °F to +176 °F)					
Variation de température max.	1 K/min, 3 h, 2 cycles					
Humidité relative max.	93 % à +40 °C (104 °F), 14 jours, sans condensation					
Altitude d'installation au-dessus du niveau de la mer	<p>Max. 1000 m (3280 ft)</p> <p>En principe, le montage dans des installations de hauteur supérieure à 1000 m (3280 ft) est possible. Cela peut cependant provoquer une réduction des valeurs de performance.</p>					

Informations produit

3.6 Dimensions



L'écartement entre le bord supérieur de la MultiControl et les pièces voisines doit au moins s'élever à 10 mm afin de permettre l'utilisation du capteur magnétique.



4 Transport et stockage

4.1 Transport



ATTENTION

Risque de blessure à cause d'un transport non conforme !

- Ne faire réaliser les travaux de transport que par un personnel spécialisé autorisé.
-

Il convient de respecter les consignes suivantes :

- Ne pas empiler les palettes.
- Vérifier avant le transport que la MultiControl est correctement fixée.
- Éviter les chocs sévères pendant le transport.
- Contrôler la présence de dommages visibles sur chaque MultiControl après le transport.
- Photographier les pièces endommagées en cas de dommages constatés.
- En cas de dommages causés par le transport, informer immédiatement le transporteur et Interroll pour ne pas perdre d'éventuels droits à des dommages-intérêts.
- Ne pas exposer la MultiControl à de fortes variations de température, car cela peut entraîner la formation de condensation.

4.2 Stockage



ATTENTION

Risque de blessure en cas de stockage non conforme !

- Veiller au stockage en toute sécurité de la MultiControl.
-

Il convient de respecter les consignes suivantes :

- Ne pas empiler les palettes.
- Contrôler la présence de dommages visibles sur chaque MultiControl après le stockage.

Montage et installation

5 Montage et installation

5.1 Avertissements concernant le montage

REMARQUE

Une mauvaise manipulation lors du montage de la MultiControl peut entraîner des dommages matériels ou un raccourcissement de la durée de vie de la MultiControl.

- Ne pas faire tomber la MultiControl et ne pas l'utiliser de manière non conforme pour éviter des dommages à l'intérieur de la MultiControl.
- Contrôler la présence de dommages visibles sur chaque MultiControl avant le montage.
- S'assurer que la MultiControl n'est pas soumise à des contraintes pendant le montage (aucune contrainte de flexion ou de torsion).
- Ne percer aucun autre trou de fixation dans le boîtier ou la plaque de base et ne pas agrandir les trous existants.

5.2 Montage de la MultiControl

Montage initial

La fixation de la MultiControl sur le châssis du convoyeur nécessite le montage préalable de la plaque de base fournie sur le châssis du convoyeur. Deux fois deux trous sont prévus sur la plaque de base pour la fixation de la MultiControl. Lors du montage initial, il est recommandé d'utiliser les trous de gauche.



Pour simplifier l'installation électrique, toutes les MultiControl doivent si possibles être montées sur un seul côté du convoyeur. Pour les courbes, les MultiControl doivent dans la mesure du possible être montées sur le rayon extérieur de la courbe, le raccordement du RollerDrive s'effectuant à cet endroit.

- Rechercher sur le châssis du convoyeur une surface plane où il sera possible de fixer la MultiControl. S'assurer qu'il reste un écartement d'env. 25 mm à gauche de l'endroit prévu pour pouvoir si besoin coulisser la MultiControl ultérieurement (voir „Nouveau montage“ à la page 92).
- Utiliser la MultiControl comme gabarit et marquer le centre des trous de montage. Veiller à orienter correctement la plaque de base (l'inscription qui figure sur le passage de câble doit être lisible).

Montage et installation

- Percer deux trous d'environ 6,5 mm de diamètre sur les marquages du châssis du convoyeur.
- Visser la plaque de base sur le convoyeur à l'aide de vis M6.
- S'assurer que la plaque de base n'a subi aucune torsion.
- Disposer les câbles plats pour l'alimentation électrique (voir „Raccordement de l'alimentation électrique” à la page 94).
- Positionner la MultiControl sur chaque trou de gauche et appuyer jusqu'à l'enclenchement du verrouillage.



- Visser la MultiControl sur la plaque de base (couple de serrage max. : 2,5 - 2,75 Nm). Les broches de contact sont ainsi entraînées par le câble plat et le contact avec l'alimentation électrique est établi.



Veuillez utiliser uniquement les vis fournies pour la fixation de la MultiControl sur la plaque de base.

Montage et installation

Nouveau montage

Si une MultiControl déjà raccordée doit être desserrée de la plaque arrière, les câbles plats ne doivent pas être mis en contact au même endroit car la conformité du contact ne serait alors pas garantie. La MultiControl peut alors être fixée dans le trou de montage de droite afin que le câble plat n'ait pas besoin d'être desserré et déplacé sur toutes les MultiControl.



5.3 Avertissements concernant le montage électrique



ATTENTION

Risque de blessure dans le cadre de travaux sur l'équipement électrique !

- Ne faire réaliser des travaux sur l'installation électrique que par un électricien qualifié.
- Avant d'installer, retirer ou raccorder la MultiControl, mettre l'installation de convoyage hors tension et la sécuriser contre un redémarrage involontaire.
- Raccorder toutes les alimentations électriques utilisées à un potentiel de terre commun pour éviter les courants de compensation via le DriveControl ou la ligne de bus.
- S'assurer que tous les composants sont correctement mis à la terre. Une mise à la terre incorrecte peut entraîner une charge statique, ce qui peut engendrer un dysfonctionnement ou une défaillance prématurée de la MultiControl.
- Prévoir des dispositifs de commutation et de protection appropriés pour assurer un fonctionnement sûr.
- N'allumez les tensions de service qu'une fois tous les câbles raccordés.

REMARQUE

Une installation électrique incorrecte peut endommager la MultiControl.

- Respecter les prescriptions nationales en termes d'installation électrique.
- Ne faire fonctionner la MultiControl qu'avec une protection basse tension de 24 V ou de 48 V (PELV).
- Ne jamais faire fonctionner la MultiControl avec une tension alternative.
- S'assurer de la bonne polarité de l'alimentation électrique.
- S'assurer que l'installation électrique existante n'ait pas d'influence perturbatrice sur la MultiControl.
- N'utiliser que des câbles suffisamment dimensionnés pour les conditions d'utilisation concrètes.
- Tenir compte des calculs de chute de tension dans les câbles.
- Respecter les prescriptions relatives au type de pose des lignes.
- Ne pas exposer la prise à de trop fortes charges de traction ou de compression. Le fait de plier le câble au niveau de la prise peut endommager l'isolation du câble et la MultiControl peut tomber en panne.

Montage et installation

5.4 Installation électrique

Raccordement de l'alimentation électrique

Pour l'alimentation électrique, deux câbles plats de type 3G3G-FL présentant une section de conducteur de 2 x 2,5 mm² sont utilisés.

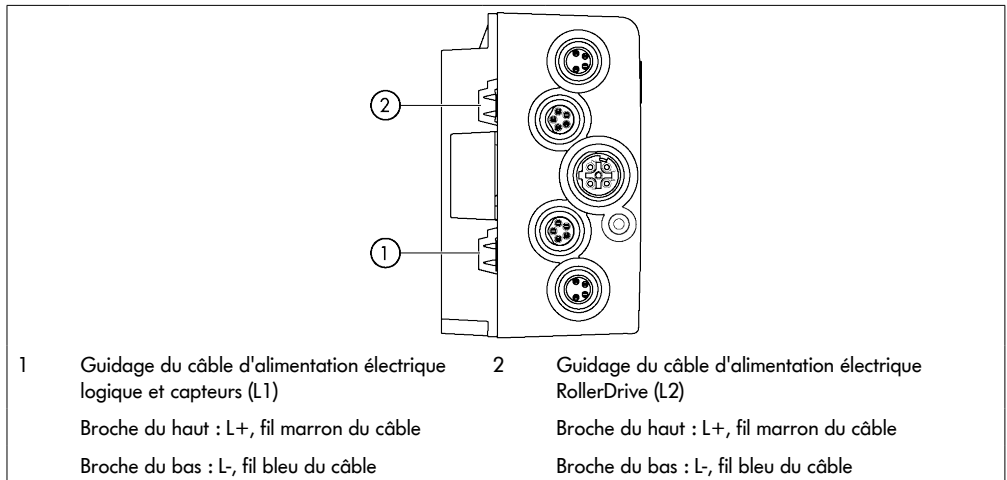
Utiliser deux câbles plats permet d'alimenter en tension le RollerDrive ainsi que les capteurs / la logique séparément. Le RollerDrive peut ainsi être déconnecté sans que la communication bus ne soit perdue.



Un répartiteur à câble plat permet d'utiliser la MultiControl comme pièce de rechange dans les systèmes existants (voir „Accessoires“ à la page 134).

Les deux potentiels de terre (L-) de l'alimentation électrique sont reliés l'un avec l'autre dans la MultiControl.

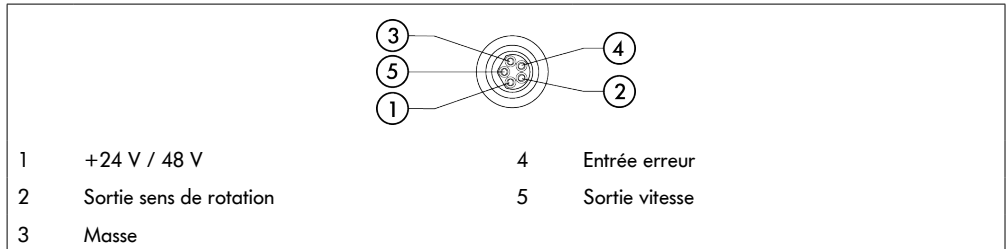
- Positionner le câble plat dans le sens correct, sans tension mécanique ni torsion, dans le passage de câble de la plaque de base. Les passages de câble sont conçus pour une liaison par forme (voir graphique). Par conséquent, le câble plat ne peut être placé que dans un seul sens et toute inversion de polarité est impossible.
- Adopter le cas échéant des mesures de décharge de traction ou de réduction des vibrations.



- Obturer les extrémités de câbles plats avec des embouts afin d'atteindre la classe de protection IP54.
- Monter la MultiControl sur le cadre de base afin d'établir le contact (voir „Montage initial“ à la page 90).
- Raccorder le câble à la source de tension. Raccorder ensuite le fil marron sur L+ et le fil bleu sur L-.

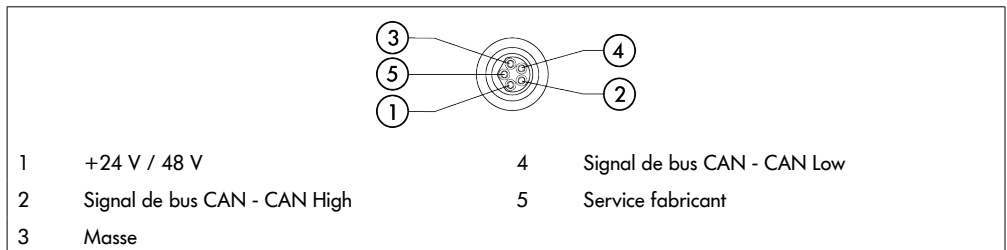
Raccordement du RollerDrive

RollerDrive AI



- Obtenir les raccordements du RollerDrive non utilisés avec un embout M8 afin d'atteindre la classe de protection IP54.

RollerDrive BI



- Obtenir les raccordements du RollerDrive non utilisés avec un embout M8 afin d'atteindre la classe de protection IP54.

REMARQUE

Destruction du RollerDrive à cause de valeurs de raccordement erronées.

- N'essayez jamais de faire fonctionner un RollerDrive EC5000 24 V DC avec du 48 V DC. Cela entraînerait la destruction des composants électroniques du moteur.

REMARQUE

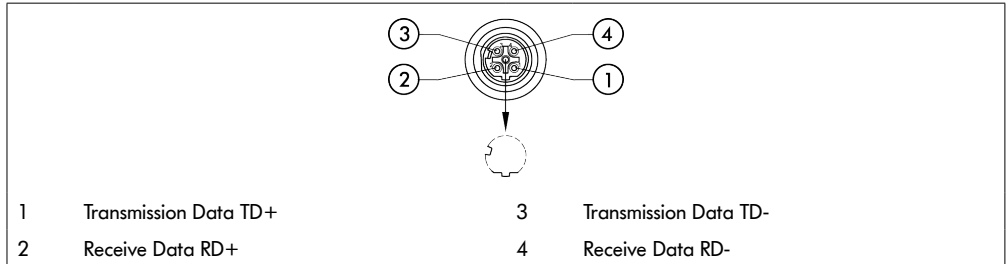
Destruction du MultiControl / RollerDrive EC5000 avec interface bus lors du branchement / débranchement sous tension

- Le MultiControl et le RollerDrive EC5000 BI ne peut pas être (dé)branché lorsqu'il est en marche. Coupez l'alimentation électrique avant de connecter / déconnecter le RollerDrive EC5000 BI.

Montage et installation

Raccordement bus

Les deux raccordements « Link A » et « Link B » sont adaptés à un connecteur M12, 4 pôles, codage D, affectation des contacts selon CEI 61076-2-101 :



La MultiControl est équipée d'un commutateur 2 ports intégré. Ainsi, la MultiControl peut par exemple être intégrée dans les structures linéaires du câblage de bus.

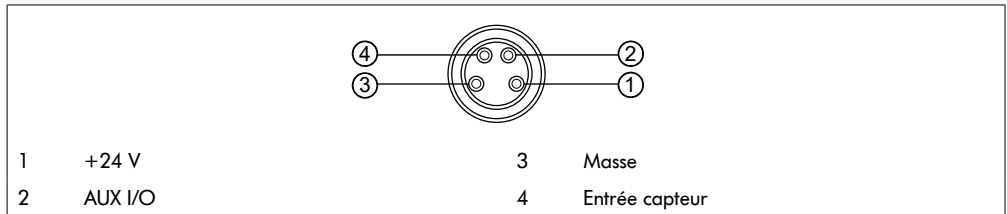
- Respecter les directives d'installation des systèmes de bus correspondants :
 - PROFINET : PROFIBUS & PROFINET International (PI), www.profibus.com
 - EtherCAT : EtherCAT Technology Group, www.ethercat.org
 - EtherNET/IP : ODVA, www.odva.org
- Si un branchement reste inutilisé, obturer ce dernier avec un embout M12 afin d'atteindre la classe de protection IP54.



Il est possible de raccorder le blindage des lignes de bus des deux côtés du MultiControl. Cela minimise les problèmes de CEM.

Raccordement des capteurs

Quatre capteurs (« Sensor ») et quatre entrées et sorties supplémentaires (Aux I/O) peuvent être branchés sur les raccordements « Sensor 1, I/O 1 » à « Sensor 4, I/O 4 » de la MultiControl. Il est possible d'utiliser des capteurs PNP ou NPN ainsi que des capteurs dotés de contacts à ouverture et à fermeture. Le type de capteur et la fonction de l'E/S supplémentaire peuvent être paramétrés (voir „Digital I/O - Settings” à la page 110). Une ligne Y permet le branchement simultané, sur un raccord, d'un capteur et d'une entrée/sortie (voir „Accessoires” à la page 134).



- Si un branchement reste inutilisé, obturer ce dernier avec un embout M8 afin d'atteindre la classe de protection IP54.

REMARQUE

Les raccords ne sont pas résistants aux courts-circuits

En cas de court-circuit, notamment entre la broche 1 et la broche 3, le fusible interne (PTC) se déclenche dans la MultiControl. Une fois le fusible interne refroidi, l'appareil peut fonctionner à nouveau.

- S'assurer que la polarité est correcte.



Les entrées et les sorties ne sont pas séparées galvaniquement.

Paramètres des entrées

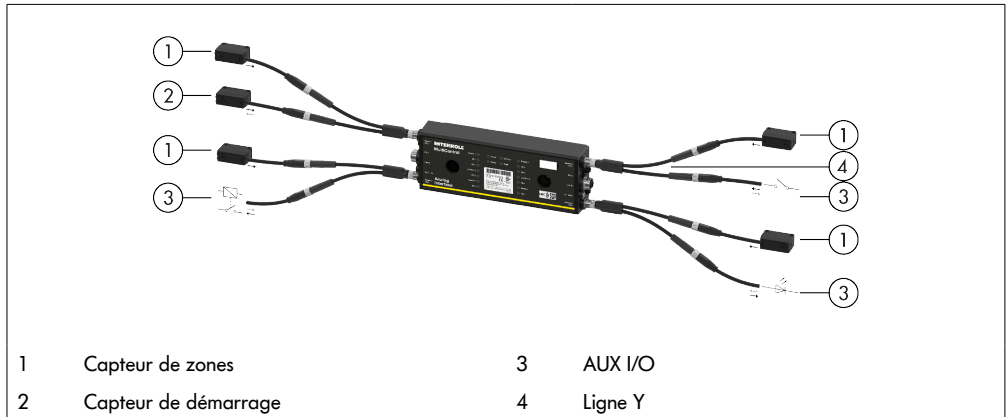
Tension d'entrée	de 0 V à 24 V DC
Résistance d'entrée	≥ 15 kΩ
Seuil de commutation	≥ 15 V « High » ≤ 5 V « Low »

Montage et installation

Paramètres des sorties	
Tension de sortie	24 V DC
Courant de sortie maximal	≤ 200 mA
Tension de sortie « 1 » sur PNP	> 15 V @ 200 mA
Tension de sortie « 1 » sur NPN	≤ 5 V @ 200 mA

- Si un raccordement de capteur reste inutilisé, obturer ce dernier avec un embout M8 afin d'atteindre la classe de protection IP54.

Vue d'ensemble des raccordements



6 Mise en service et fonctionnement

6.1 Mise en service

Contrôle avant la première mise en service

- S'assurer que la plaque de base de la MultiControl a été correctement fixée sur le profil, que la MultiControl a été correctement fixée sur la plaque de base et que toutes les vis ont été correctement serrées.
- S'assurer que les interfaces à d'autres composants ne créent pas de zones dangereuses supplémentaires.
- S'assurer que le câblage correspond aux spécifications et aux dispositions légales.
- Vérifier tous les équipements de protection.
- S'assurer qu'aucune personne ne se tient dans les zones dangereuses de l'installation de convoyage.

6.2 Possibilités de configuration



ATTENTION

Risque de dysfonctionnement!

- Modification de la configuration du moteur via SDO ou navigateur Web uniquement lorsque les moteurs sont à l'arrêt!

La mise en service de la MultiControl nécessite sa configuration préalable. Cette dernière peut s'effectuer de différentes manières :

- Tous les réglages peuvent être configurés via l'interface utilisateur Web de l'ordinateur auquel la MultiControl est reliée.
- Directement sur la MultiControl via le capteur magnétique intégré (voir le document complémentaire « MultiControl / RollerDrive - Start-up and Programming »).
- Tous les réglages, à l'exception du type de bus, peuvent être configurés par les Service Data Objects (SDO), qui sont rédigés par une commande supérieure (voir le document complémentaire « MultiControl / RollerDrive - Start-up and Programming »).
- Le nom de la station, la configuration IP et les paramètres de connexion peuvent être modifiés à l'aide d'un environnement de développement API.
- Lors du remplacement de la MultiControl, les données sont automatiquement transférées via la fonction Plug&Play.

REMARQUE

Perte de données possible lors du processus de démarrage

En cas de coupure de la tension d'alimentation pendant le processus de démarrage, des données peuvent être perdues.

- Ne pas couper l'alimentation électrique pendant le processus de démarrage (env. 10 secondes) !

Mise en service et fonctionnement

6.3 Interface utilisateur MultiControl

La MultiControl est équipée d'un serveur Web intégré qui génère une interface utilisateur pour la configuration de la MultiControl. Cette interface utilisateur peut être consultée dans un navigateur Web depuis un ordinateur raccordé à la MultiControl.

À l'exception du navigateur Web, aucun autre logiciel n'a besoin d'être installé sur l'ordinateur.

Conditions préalables

Les conditions suivantes doivent être remplies pour que l'interface Web puisse être utilisée :

- La MultiControl dispose d'une adresse IP valide et connue (par défaut : adresse IP 192.168.0.1, masque de sous-réseau 255.255.255.0).
- L'ordinateur raccordé doit se trouver dans le même domaine IP (si nécessaire, consulter les informations système/les paramètres réseau du PC).
- La MultiControl et l'ordinateur sont reliés par une connexion Ethernet.
- L'accès au port 80 est possible (l'interface utilisateur est basée sur le HTTP).
- La MultiControl n'est pas configurée sur EtherCAT car EtherCAT ne permet pas de communication HTTP. Le type de bus peut être consulté à l'aide du capteur magnétique (voir le document complémentaire « MultiControl / RollerDrive - Start-up and Programming »).

Démarrage de l'interface utilisateur

- Lancer le navigateur Web sur l'ordinateur auquel la MultiControl est reliée.
- Saisir l'adresse IP de la MultiControl dans la ligne d'adresse (par défaut : `http://192.168.0.1/`).
- Saisir les identifiants sur la page de connexion (par défaut : User Name « Interroll », Password « Interroll »).



Sauf indication contraire, les illustrations décrites s'appliquent à la MultiControl AI et à la MultiControl BI.

Mise en service et fonctionnement

MultiControl AI

The screenshot displays the MultiControl AI web interface. On the left is a navigation menu with the following items: Overview (highlighted), Network and Settings, Motor, Settings, TestPanel, Digital I/O, States, Settings, Control Program, Settings, Error, State, Settings, Log, Service, Teach-In, Plug&Play, System, Change Password, Factory Reset, Restart, Version, Up-/Download, and Log Out. The main content area is titled "MultiControl Overview" and contains the following information:

- Bus Info**
Bus Protocol : PROFIBET
Host Name : multicontrol2
IP Address : 192.168.0.2
State : Disconnected
- Error Info**
State : Operational
Active Error : BusConfFail (21)
Last Error : 00:00:42.536.21 BusConfFail
- Control Program Info**
Program ID : I/O Device
Version : 2017-04-10-09
- Find Device**
Start Identity

MultiControl BI

The screenshot displays the MultiControl BI web interface. On the left is a navigation menu with the following items: Overview (highlighted), Network and Settings, Motor, Information, Monitor, TestPanel, Digital I/O, States, Settings, Control Program, Settings, Error, State, Settings, Log, Service, Teach-In, Plug&Play, CAN Gateway, System, Change Password, Factory Reset, Restart, Version, Up-/Download, and Log Out. The main content area is titled "MultiControl Overview" and contains the following information:

- Bus Info**
Bus Protocol : PROFIBET
Host Name : multicontrol2
IP Address : 192.168.0.2
State : Disconnected
- Error Info**
State : Operational
Active Error : BusConfFail (21)
Last Error : 00:00:42.536.21 BusConfFail
- Control Program Info**
Program ID : I/O Device
Version : 2017-04-10-09
- Find Device**
Start Identity

Le menu situé à gauche vous permet de naviguer parmi les informations et les paramètres supplémentaires.

Mise en service et fonctionnement

Page d'accueil « MultiControl Overview »

MultiControl Overview

Bus Info

Bus Protocol : PROFINET
Host Name : multicontrol2
IP Address : 192.168.0.2
State : Disconnected

Error Info

State : Operational
Active Error : BusComFail (21)
Last Error : 00:00:42.536.21 BusComFail

Control Program Info

Program ID : I/O Device
Version : 2017-04-10-09

Find Device

Start Identify

La page d'accueil présente les informations suivantes :

- Informations sur le système de bus paramétré
- Informations sur la dernière erreur survenue
- Informations sur le programme d'application paramétré

Bouton « Start Identify »

Fait fonctionner toutes les LED afin d'identifier la MultiControl dans le convoyeur.



Le fichier EDS correspondant à la version de logiciel correspondante est enregistré sur la MultiControl et peut être téléchargé via le lien en bas de la page d'accueil.

- Pour se déconnecter de l'interface utilisateur, cliquer sur « Log Out » (non nécessaire en cas de redémarrage de la MultiControl).

Network Settings

Network Settings

Bus Protocol
 EtherCAT
 EtherCAT BI
 EtherCAT/CAN
 EtherCAT/CAN Pro
 PROFINET
 EtherNet/IP

Addresses
IP address : 192.168.0.1
Network Mask : 255.255.255.0
Gateway : 0.0.0.0

Domains
Host Name : multicontrol
Domain Name :
DNS server 1 : 0.0.0.0
DNS server 2 : 0.0.0.0

Configuration Mode
 Static
 I/O Controller

Neighbours
IP address upstream : 192.168.0.16
IP address downstream : 192.168.0.17

Option
 Big Endian Format
Process Image In/Out: Universal Full / Universal Full

Submit Reset

Pour intégrer la MultiControl dans un système d'automatisation, il peut être nécessaire de modifier les paramètres du bus. Cela inclut le réglage du type de bus utilisé et l'adressage.

La MultiControl prend en charge les types de bus suivants :

- Appareil E/S PROFINET - Classe de conformité B, Netload Class 1
- Esclave EtherNet/IP
- Esclave EtherCAT

Il est possible de modifier les paramètres suivants pour l'adressage de la MultiControl :

- Adresse IP et masque de sous-réseau
- Gateway
- Nom de l'hôte : Si la MultiControl est utilisée avec PROFINET, il faut saisir dans ce champ le nom PROFINET exact de la MultiControl
- Domain-Name ainsi que DNS-Server 1 et 2
- Mode de configuration de l'adresse :
 - Static : L'adresse IP est fournie par l'utilisateur
 - I/O Controller : L'adresse IP est fournie par la API (le champ de saisie est grisé)



Afin d'éviter les problèmes de communication dans le système de bus, nous recommandons de modifier l'adresse IP par défaut 192.168.0.1.

Selon la configuration du système, dans les projets PROFINET, il est recommandé d'augmenter manuellement le temps de mise à jour du MultiControl (automatique 2 ms) jusqu'à la moitié du temps de cycle de la CPU ou au moins 8 ms.

Mise en service et fonctionnement

- Adresses IP des MultiControl voisines (pour les programmes ZPA et ZPA+)
IP adress upstream : Adresse de la MultiControl à partir de laquelle les articles, conteneurs, produits transportés, produits,... sont repris
IP adress downstream : Adresse de la MultiControl à partir de laquelle les articles, conteneurs, produits transportés, produits,... sont livrés
- Détermine si les données de la API sont au format big-endian (octet haut/bas échangé).



Pour transférer les paramètres modifiés sur la MultiControl, appuyez sur le bouton « Submit ».

REMARQUE

Destruction du MultiControl causée par une déconnexion prématurée de la tension d'alimentation

- S'assurer que l'alimentation électrique est disponible en permanence pendant le changement de type de bus jusqu'à ce que le redémarrage soit terminé. Le processus dure env. deux minutes.

Motor Settings

Motor Settings				
	Motor 1	Motor 2	Motor 3	Motor 4
Motor Type	EC5000	EC5000	Disabled	Disabled
Roller Diameter [mm]	50.0	50.0	50.0	50.0
Gearing Ratio	49:1	49:1	none	none
Direction	<input checked="" type="radio"/> CW <input type="radio"/> OCCW	<input checked="" type="radio"/> CW <input type="radio"/> OCCW	<input checked="" type="radio"/> CW <input type="radio"/> OCCW	<input checked="" type="radio"/> CW <input type="radio"/> OCCW
Normal Speed [m/s]:	1.00	1.00	1.00	1.00
Alternate Speed [m/s]:	0.50	0.50	0.50	0.50
Acceleration [m/s ²]:	0.00	0.00	0.00	0.00
Deceleration [m/s ²]:	0.00	0.00	0.00	0.00
<input type="checkbox"/> Apply Motor 1 Settings to all				
Avoid parallel Motor Start/Stop - ZPA				
Start Delay [ms]:	100			
Stop Delay [ms]:	100			
<input checked="" type="radio"/> 28 V				
Brake Chopper Level: <input type="radio"/> 26 V				
			<input type="button" value="Submit"/>	<input type="button" value="Reset"/>



ATTENTION

Risque de dysfonctionnement!

- Modifiez la configuration du moteur via le navigateur Web uniquement lorsque les moteurs sont à l'arrêt!

Mise en service et fonctionnement

- Désactiver les moteurs non utilisés afin d'éviter les connexions erronées.
- Sélectionner le moteur raccordé - EC5000 / EC310 / VDC Speed / VDC Position



Si un moteur est activé mais qu'il n'est pas raccordé, la LED RD1 - RD4 clignote.

- Saisir les informations correspondant au RollerDrive utilisé dans les champs « Roller diameter », « Gearing ratio » et « Normal speed ».



Pour les rouleaux coniques (courbes), indiquez leur diamètre moyen dans le champ réservé au diamètre.

Dans le programme de commande « I/O Device », la vitesse en % se rapporte à la valeur définie ici sous « Normal speed ».

En raison des tolérances et / ou des chutes de tension sur les câbles, il est possible que le RollerDrive ne tourne pas lorsqu'il est réglé sur ses valeurs minimales. Dans ce cas, un réglage plus élevé et donc une vitesse doivent être sélectionnés.

Le paramètre « Direction » permet d'adapter le sens de rotation du RollerDrive à la position de montage (sens de rotation vu depuis l'extrémité du câble du RollerDrive).

« Acceleration » et « Deceleration » modifient le comportement de marche/arrêt du RollerDrive. Le paramètre « Alternate speed » n'a pour l'instant aucune fonction.

Valeurs d'accélération du RollerDrive EC5000 BI

Pour obtenir la rampe d'accélération optimale de l'EC5000 BI, entrer les valeurs d'accélération suivantes.

Réducteur	9:1	13:1	18:1	21:1	30:1	42:1	49:1	78:1	108:1
Valeur d'accélération m/s ²	13,2	9,2	6,6	5,7	4,0	2,8	2,4	1,5	1,1

Avoid parallel Motor Start/Stop - ZPA

Start Delay: Les RollerDrives connectés sont démarrés les uns après les autres à l'intervalle de temps défini pour éviter de surcharger l'alimentation lorsqu'elle est allumée.

Stop Delay: Les RollerDrive connectés sont arrêtés les uns après les autres à l'intervalle de temps défini pour éviter de surcharger l'alimentation lorsqu'elle est éteinte.

Brake Chopper Level

Pour le MultiControl 24 V AI / BI, la tension de fonctionnement du hacheur de freinage peut être réduite à 26 V. Le réglage d'usine est de 28 V.



Pour transférer les paramètres modifiés sur la MultiControl, appuyez sur le bouton « Submit ».

Mise en service et fonctionnement

Motor Information - MultiControl BI uniquement

Motor Information				
	Motor 1	Motor 2	Motor 3	Motor 4
Gear Ratio	49:1	49:1	---	---
Max. Speed [m/s]	0.37	0.37	---	---
Status	Stop	Stop	N.C.	N.C.
Motor Name	EC5000	EC5000	---	---
Hardware Vers.	1.0000	1.0000	---	---
Software Vers.	0.11.07	0.11.07	---	---
Product Code	---	---	---	---
Serial Number	381	---	---	---

Affichage des données relatives au moteur :

- Rapport de réduction
- Vitesse maximale
- Puissance nominale
- Statut
- Nom du moteur
- Version matériel
- Version logiciel
- Code produit
- Numéro de série

Motor Monitor - MultiControl BI uniquement

Motor Monitor				
	Motor 1	Motor 2	Motor 3	Motor 4
Lifetime				
Temperature				
Power				
Error				
Start/Stops	177	31536065	---	---
Run Time (hh:mm:ss)	0:19:42	3140:26:15	---	---
Up Time (hh:mm:ss)	288:45:16	8984:58:28	---	---
Temp. Max (°)	46	99	---	---
Temp. Min (°)	16	16	---	---
Current Temp. (°)	21	20	---	---
Num. Quick Stops	0	0	---	---
Actual Torque (mNm)	0	0	---	---
Power/Time (Wh)	0	0	---	---
Num. Rotations	2174	172911880	---	---

Affichage visuel

Témoin lumineux de durée de vie

Témoin lumineux d'état pour :

- Température
- Performance
- Taux d'erreur

Surveillance des données

Start/Stops - nombre de mises en marche / d'arrêts par minute

Run Time (s)

Up Time (s)

Temp. Max (°C) - Température maximale de l'électronique du moteur

Temp. Min (°C) - Température minimale de l'électronique du moteur

Current Temp. (°C) - Température actuelle de l'électronique du moteur

Num. Quick Stops - Nombre d'arrêts rapides

Actual Torque (mNm) - Couple actuel

Power/Time (Wh) - Puissance mécanique moyenne

Num. Rotations - Nombre de rotations du moteur

Mise en service et fonctionnement

Motor Test for EC5000



AVERTISSEMENT

Risque d'écrasement dû à un démarrage involontaire du RollerDrive !

- Les modifications de ce menu ont un impact direct sur le RollerDrive connecté!
- Avant de démarrer les moteurs, assurez-vous qu'il n'y a personne dans les zones dangereuses du système de convoyeur!

Motor Test for EC5000

Simple Test

Start all motors in positive direction

Select effected Motors

- Motor 1
- Motor 2
- Motor 3
- Motor 4

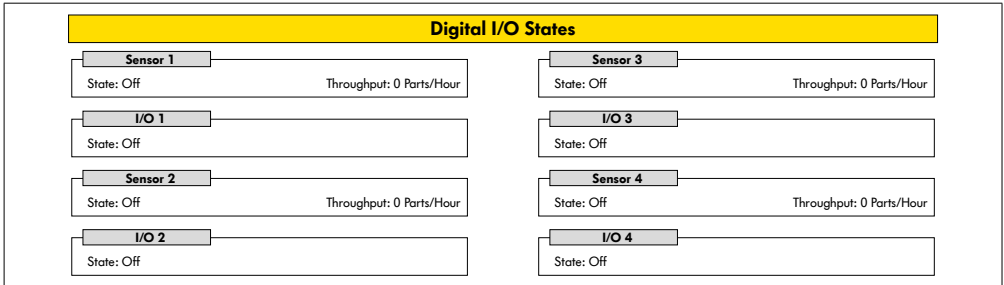
Motor Commands

Velocity Mode:

- Sélectionner le moteur souhaité
- Sélectionner le test :
 - Simple Test - Démarre tous les moteurs raccordés dans le sens de rotation positif
 - Velocity Mode - Démarrer et arrêter les moteurs sélectionnés dans le sens horaire ou antihoraire

Mise en service et fonctionnement

Digital I/O States



Affichage des états de commutation des capteurs et des E/S raccordées.

Throughput

Sur la base des signaux du capteur, le débit des zones individuelles est déterminé.

À cette fin, les signaux des cinq dernières minutes sont extrapolés à une heure.

Cela signifie que le système doit fonctionner depuis au moins cinq minutes.

Les compteurs sont actifs dans tous les modes de fonctionnement.



Pas de statut en temps réel ! Les changements d'état ne sont visibles qu'après l'actualisation du navigateur Web (touche « F5 »).

Mise en service et fonctionnement

Digital I/O Settings

Digital I/O Settings

Sensor 1

Type : PNP NPN

Polarity : positive negative

ON Delay (ms) :

OFF Delay (ms) :

Sensor 3

Type : PNP NPN

Polarity : positive negative

ON Delay (ms) :

OFF Delay (ms) :

I/O 1

Type : PNP NPN

Polarity : positive negative

Function :

I/O 3

Type : PNP NPN

Polarity : positive negative

Function :

Sensor 2

Type : PNP NPN

Polarity : positive negative

ON Delay (ms) :

OFF Delay (ms) :

Sensor 4

Type : PNP NPN

Polarity : positive negative

ON Delay (ms) :

OFF Delay (ms) :

I/O 2

Type : PNP NPN

Polarity : positive negative

Function :

I/O 4

Type : PNP NPN

Polarity : positive negative

Function :

I/O State LEDs enabled
 Shutdown Aux Output

Submit
Reset

Les capteurs 1 à 4 sont toujours affectés aux capteurs de zone.

Des E/S supplémentaires peuvent être connectées à l'aide d'un câble en Y disponible en option.

Les E/S 1 à E/S 4 peuvent être configurées comme entrées ou sorties avec les fonctions suivantes :

Fonction	Description
Aucune	-
API Input	Signal d'entrée de la API
API Output	Signal de sortie vers la API
Sensor 5	Capteur de démarrage Zone 1 (la polarité doit être négative)
Sensor 6	Réserve
Sensor 7	Réserve
Sensor 8	Réserve
Control Input 1	Arrête la Zone 1
Control Input 2	Arrête la Zone 2
Control Input 3	Arrête la Zone 3
Control Input 4	Arrête la Zone 4
Control Input 5 - 8	Aucune fonction
Control Output 1	Zone 1 occupée
Control Output 2	Zone 2 occupée

Mise en service et fonctionnement

Fonction	Description	
Control Output 3	Zone 3 occupée	
Control Output 4	Zone 4 occupée	
Control Output 5 - 8	Aucune fonction	
Handshake In Up	Signaux de handshake vers les modules ZPA adjacents	
Handshake In Down		
Handshake In Left		
Handshake In Right		
Handshake Out Up		
Handshake Out Down		
Handshake Out Left		
Handshake Out Right		
Moteur VDC #1 Error In		Erreur en entrée du moteur VDC
VDC Motor #2 Error In		
VDC Motor #1 Direction Out		Sens de rotation du moteur VDC
VDC Motor #2 Direction Out		
VDC Motor #1 Step Pulse Out	Pulsation de sortie du moteur VDC	
VDC Motor #2 Step Pulse Out		

Ces fonctions n'ont aucune influence sur le programme de commande « I/O Device ».

Shutdown Aux Output

- Non activé Les sorties auxiliaires sont réinitialisées lorsque la tension RollerDrive est coupée et ne peut pas être contrôlée.
- Activé Les sorties Aux conservent leur état actuel lorsque la tension RollerDrive est coupée et peuvent toujours être contrôlées.



Les fonctions varient en fonction du programme de commande sélectionné (voir la description des programmes de commande dans le document complémentaire « MultiControl / RollerDrive - Start-up and Programming »).

Pour transférer les paramètres modifiés sur la MultiControl, appuyez sur le bouton « Submit ».

Mise en service et fonctionnement

Control Program Settings

Control Program Settings

Control Program Settings
Program ID : I/O_Device
Version : 2017-12-12-11

Control Timer
Timer 1 [ms] :
Timer 2 [ms] :
Timer 3 [ms] :
Timer 4 [ms] :

Sélection du programme de commande

ID de programme du mode de séparation ZPA	ID de programme du mode de train ZPA	ID de programme du module ZPA	Aucun ID de programme ZPA
Single Release 1 Zone	Train Release 1 Zone	ZPA Transfer In	I/O Device
Single Release 2 Zone	Train Release 2 Zone	ZPA Transfer Out	
Single Release 3 Zone	Train Release 3 Zone	ZPA Merge	
Single Release 4 Zone	Train Release 4 Zone	ZPA HPD	
		HPD Semi Automatic	
		Transfer Semi Automatic	

Control Timer

Timer 1 : Mode de séparation : Temps de communication de transfert

Mode de train : Démarrage différé du RollerDrive

Timer 2 : Surveillance interne des produits

Timer 3 : Suivi du RollerDrive

Timer 4 : Réinitialisation des erreurs



Les fonctions et les valeurs par défaut des timers varient en fonction du programme de commande sélectionné (voir la description des programmes de commande dans le document complémentaire « MultiControl / RollerDrive - Start-up and Programming »).

Pour transférer les paramètres modifiés sur la MultiControl, appuyez sur le bouton « Submit ».

Error State

Error State	
Error Info	
State	: Operational
Active Error	: BusComFail (21)
Last Error	: 00:02:29:756 51 DriveError #2

- Affichage du statut actuel de la MultiControl
- Affichage des erreurs actuelles
- Affichage de la dernière erreur survenue

Error Handling Settings

Error Handling Settings	
System Errors	
Network Error	: Warning <input type="checkbox"/>
Over Voltage Error	: Warning <input type="checkbox"/>
Under Voltage Error	: Warning <input type="checkbox"/>
Motor Error	: Warning <input type="checkbox"/>
Generl Control Error	: Ignore <input type="checkbox"/>
Sensor Error	: Ignore <input type="checkbox"/>
Control Errors	
Control Error 1	: Ignore <input type="checkbox"/>
Control Error 2	: Ignore <input type="checkbox"/>
Control Error 3	: Ignore <input type="checkbox"/>
Control Error 4	: Ignore <input type="checkbox"/>
Control Error 5	: Ignore <input type="checkbox"/>
Control Error 6	: Ignore <input type="checkbox"/>
Control Error 7	: Ignore <input type="checkbox"/>
Control Error 8	: Ignore <input type="checkbox"/>
<input type="button" value="Submit"/> <input type="button" value="Reset"/>	

Network Error

Surveillance de la communication entre la MultiControl et la API :

- Ignore : L'erreur n'est pas affichée.
- Warning : La LED d'erreur clignote deux fois pour signaler l'erreur.
Le processus de convoyage n'est pas interrompu.
- Immediate Stop : La LED d'erreur clignote deux fois pour signaler l'erreur.
Le processus de convoyage est interrompu.



Si la MultiControl fonctionne sans API, nous recommandons d'utiliser le paramètre « Ignore ».

Si la MultiControl fonctionne avec API, nous recommandons d'utiliser le paramètre « Immediate Stop ».

Over Voltage Error

Tension d'alimentation trop importante :

- Ignore : L'erreur n'est pas affichée.
- Warning : La LED d'erreur clignote six fois pour signaler l'erreur.
Le processus de convoyage n'est pas interrompu.
- Immediate Stop : La LED d'erreur clignote six fois pour signaler l'erreur.
Le processus de convoyage est interrompu.

Mise en service et fonctionnement

Under Voltage Error

Tension d'alimentation trop faible :

- Ignore : L'erreur n'est pas affichée.
- Warning : La LED d'erreur clignote cinq fois pour signaler l'erreur.
Le processus de convoyage n'est pas interrompu.
- Immediate Stop : La LED d'erreur clignote cinq fois pour signaler l'erreur.
Le processus de convoyage est interrompu.

Motor Error

Surveillance du moteur :

- Ignore : L'erreur n'est pas affichée.
- Warning : La LED d'erreur clignote trois fois pour signaler l'erreur.
Si l'erreur n'est plus présente, la LED s'éteint. Faire tourner les autres moteurs raccordés à la MultiControl.
- Immediate Stop : La LED d'erreur clignote trois fois pour signaler l'erreur.
Arrêter les autres moteurs raccordés à la MultiControl.

General Control Error

Surveillance de la commande :

- Ignore : L'erreur n'est pas affichée.



« Immediate Stop » et « Normal Stop » ont le même comportement.

Les paramètres des Control Error 1 - 8 ne remplissent aucune fonction.

Pour transférer les paramètres modifiés sur la MultiControl, appuyez sur le bouton « Submit ».

Les modifications prendront effet après le redémarrage de la commande.

MultiControl Error Log

MultiControl Error Log		
Error Info 0		
Time	Error	Description
00:00:06:823	70	SystemRestart
00:00:06:460	70	SystemRestart
00:00:06:459	70	SystemRestart
00:00:06:790	70	SystemRestart
00:00:06:799	70	SystemRestart
00:00:07:823	22	BusStartUp
00:00:11:131	102	NewStateTable
00:00:11:153	102	NewStateTable
00:00:11:154	50	DriveError #1
00:00:11:154	51	DriveError #2
00:00:11:154	52	DriveError #3
00:00:11:154	53	DriveError #4
00:00:11:161	50	DriveError #1
00:00:11:161	51	DriveError #2

Protocole d'erreurs des erreurs les plus récentes / messages avec horodatage.

Pour obtenir l'explication des cordes d'erreur, voir „Cordes d'erreur” à la page 130.

Mise en service et fonctionnement

Teach-in



AVERTISSEMENT

Risque d'écrasement dû à un démarrage involontaire du RollerDrive !

- Les modifications de ce menu ont un impact direct sur le RollerDrive connecté!
- Avant de démarrer les moteurs, assurez-vous qu'il n'y a personne dans les zones dangereuses du système de convoyeur!

Teach-in

Teach-in Feature
Please read the manual before trigger any of the options below!

 Init
 Start
 Finish
 Abort

SubmitReset

Plug&Play

Plug&Play

Plug and Play Feature
Enabled Submit



Les fonctions « Teach-in » et « Plug&Play » sont décrites dans le document complémentaire « MultiControl / RollerDrive - Start-up and Programming ».

CAN Gateway

CAN Gateway

CAN Bus Terminal

Mode	Node ID	SDO Idx	Sub Idx	Length	Data
Read	<input type="text" value="dec num"/>	<input type="text" value="hex num"/>	<input type="text" value="hex num"/>	<input type="text" value="dec num"/>	<input type="text" value="hexabytes, e.g. 0FF640"/>
Write					

Send

Node 0 >> Response: Unknown, Error: 0

Uniquement à des fins de service.

Mise en service et fonctionnement

Service Change Password

The screenshot shows a web interface titled "Service Change Password". It features a yellow header bar with the title. Below the header, there is a section titled "Change password" with three input fields: "Enter old password", "Enter new password", and "Repeat new password". At the bottom right of the form, there are two buttons: "Submit" and "Reset".

- Pour modifier le mot de passe, il faut saisir une fois l'ancien mot de passe puis deux fois le nouveau mot de passe, puis confirmer la saisie dans la MultiControl à l'aide du bouton « Submit ».



Le nom d'utilisateur ne peut pas être modifié.

Lors de la restauration des valeurs d'usine, le mot de passe modifié est réinitialisé à sa valeur par défaut.

Service Restore Factory Settings

The screenshot shows a web interface titled "Service Restore Factory Settings". It features a yellow header bar with the title. Below the header, there is a section titled "Restore Factory Settings" with the question "Reset all settings to factory default values?". There are two radio buttons: "Yes" and "No", with "No" selected. At the bottom right of the form, there are two buttons: "Submit" and "Reset".

Restauration des valeurs d'usine :

- Sélectionner « Yes »
- Appuyer sur le bouton « Submit »

REMARQUE

Destruction du MultiControl causée par une déconnexion prématurée de la tension d'alimentation

- S'assurer que l'alimentation électrique est disponible en permanence pendant jusqu'à ce que le redémarrage soit terminé. Le processus dure env. deux minutes.

Mise en service et fonctionnement

Service MultiControl Restart

Service MultiControl Restart

MultiControl restart

CAUTION: A restart of MultiControl will stop the control process and interrupt the network connection.

Do you want to restart MultiControl now?

Yes

No

Submit Reset

Redémarrage de la MultiControl :

- Sélectionner « Yes »
- Appuyer sur le bouton « Submit »



Lors du redémarrage de la MultiControl, une connexion de bus existante vers un ordinateur ou une API est interrompue et doit être rétablie.

Service Version Information

Service Version Information

Version Info

Hardware Version	: Vx
Hardware Variant	: Bus
Application Software Version	: Vx.x.x.x
System Software Version	: Vx.x.x.x
Network Software Version	: Vx.x.x.x
Serial Number	: 00000093
MAC Address	: 24:0b:b1:20:01:70

Affichage de la version, du numéro de série et de la version logiciel de la MultiControl.

Mise en service et fonctionnement

Service - Up-/Download

Up- Download	
Download For download under a different name, please use „Right Click -> Save As...“-option Bus Config : download Application Config : download	Upload To make settings effective, please restart module afterwards! Bus Config : upload Application Config : upload

Les paramètres de la MultiControl peuvent être téléchargés via l'interface utilisateur et enregistrés sur un ordinateur. Lors du remplacement de la MultiControl, les paramètres peuvent être restaurés grâce à la sauvegarde des données.

➤ Pour enregistrer le fichier souhaité, effectuer un clic droit et sélectionner « Enregistrer sous » sur le PC connecté.



S'assurer de réaliser le téléchargement dans le bon ordre !

- Bus Config
- Application Config

REMARQUE

Destruction du MultiControl causée par une déconnexion prématurée de la tension d'alimentation

➤ S'assurer que l'alimentation électrique est disponible en permanence pendant le changement de type de bus jusqu'à ce que le redémarrage soit terminé. Le processus dure env. deux minutes.

Mise en service et fonctionnement

6.4 Capteur magnétique

Il est possible d'exécuter les fonctions suivantes à l'aide du capteur magnétique :

- Paramétrage des capteurs
- Paramétrage des types de bus
- Application de la méthode Teach-In
- Mise en marche / arrêt de l'affichage LED des capteurs / des E/S
- Désactivation du Plug&Play
- Restauration des valeurs d'usine de la MultiControl

Un aimant est nécessaire pour pouvoir utiliser le capteur magnétique (voir „Accessoires“ à la page 134). Le capteur magnétique se trouve sur la face supérieure de la MultiControl, entre les deux « R » de l'inscription « INTERROLL » juste avant la plaque de base (voir „Construction“ à la page 84).



Pour plus d'informations, veuillez vous référer au document complémentaire « MultiControl / RollerDrive - Start-up and Programming ».

6.5 Service Data Objects (SDO)

Presque tous les réglages de la MultiControl (sauf le type de bus) peuvent être modifiés par communication acyclique. Cette communication correspond au Service Data Objects (SDO) du protocole CANopen. L'accès est possible via les fonctions RDREC et WRRREC selon IEC 61131-3.



Pour plus d'informations, veuillez vous référer au document complémentaire « MultiControl / RollerDrive - Start-up and Programming ».

Ethernet/IP, Object Class Adapter = 0x64, Get Attribute Single, Set Attribute Single

Profinet, HW Identification acyclic access point, RDREC, WRRREC

6.6 Fonctionnement



AVERTISSEMENT

Risque d'écrasement dû à un démarrage involontaire du RollerDrive !

- Avant d'enclencher l'alimentation électrique, s'assurer qu'aucune personne ne se tient dans les zones dangereuses de l'installation de convoyage.
- En mode ZPA, tous les RollerDrives connectés effectuent un cycle d'initialisation maximum de quatre secondes après la mise sous tension!



Si la MultiControl agit en tant qu'appareil E/S, elle ne peut pas démarrer ou arrêter automatiquement les moteurs ou effectuer d'autres actions. Pour cela, la commande d'un contrôleur de niveau supérieur est requise, par ex. une API.

Contrôle avant chaque mise en service

- Contrôler la présence de dommages visibles sur toutes les MultiControl.
- Vérifier tous les équipements de protection.
- S'assurer qu'aucun RollerDrive raccordé à la MultiControl n'est bloqué.
- Spécifier précisément et surveiller la pose du produit transporté.



Respecter les conditions ambiantes pendant le fonctionnement (voir „Données techniques” à la page 87).

Démarrage

- Veiller à ce que les conditions ambiantes soient maintenues pendant le fonctionnement (voir „Données techniques” à la page 87).
- Enclencher l'alimentation électrique.
- MultiControl BI: Après la mise sous tension du moteur, attendez 30 secondes jusqu'à ce que tous les RollerDrive connectés soient initialisés.
- Envoyer un signal correspondant à la MultiControl.

Arrêt

Le convoyeur s'arrête de fonctionner dans les cas suivants :

- En cas de coupure de l'alimentation électrique
- En l'absence de signal de démarrage
- En cas d'erreur d'une classe d'erreur correspondante (voir „Error Handling Settings” à la page 113)

Mise en service et fonctionnement

6.7 Procédure en cas d'accident ou de panne

- Arrêter immédiatement l'installation de convoyage, la mettre hors tension et la sécuriser contre une remise en marche involontaire.
- En cas d'accident : fournir les premiers soins et appeler les secours.
- Informer le supérieur hiérarchique responsable.
- Faire réparer la panne par un personnel spécialisé.
- Ne remettre l'installation de convoyage en service qu'après autorisation du personnel spécialisé.

7 Maintenance et nettoyage



ATTENTION

Risque de blessure à cause d'une mauvaise manipulation !

- Ne faire réaliser les travaux de maintenance et de nettoyage que par un personnel (spécialisé) autorisé et formé.
- Ne réaliser les travaux de maintenance et de nettoyage que hors tension. Mettre la MultiControl hors tension et la sécuriser contre une remise en marche involontaire.
- Installer des panneaux de signalisation qui montrent que les travaux de maintenance ou de nettoyage sont réalisés.

7.1 Maintenance

Vérification de la MultiControl

La MultiControl elle-même ne nécessite aucun entretien. Cependant, pour éviter tous dysfonctionnements, il faut régulièrement vérifier les raccords et les fixations.

- Au cours des travaux de contrôle et de maintenance réguliers sur le convoyeur, s'assurer que les vis de la MultiControl sont toujours bien serrées et que les câbles sont encore correctement posés et raccordés aux branchements correspondants.

Remplacement de la MultiControl

Si une MultiControl est endommagée ou défectueuse, elle doit être remplacée.



N'essayez pas d'ouvrir la MultiControl !

- Installer une nouvelle MultiControl (voir „Démontage” à la page 133 et „Montage de la MultiControl” à la page 90).
- Configurer une nouvelle MultiControl (voir „Mise en service et fonctionnement” à la page 99).

Maintenance et nettoyage

7.2 Nettoyage

La poussière et la saleté associées à l'humidité peuvent provoquer un court-circuit dans le circuit électrique. C'est la raison pour laquelle, dans les environnements sales, un nettoyage régulier peut éviter les courts-circuits pouvant endommager la MultiControl.

REMARQUE

Endommagement de la MultiControl dû à un nettoyage incorrect

- Ne pas immerger la MultiControl dans des liquides.
- Si nécessaire aspirer la poussière et la saleté.
- Pour un nettoyage plus approfondi, débrancher la MultiControl de l'alimentation électrique, la retirer et la nettoyer à l'aide d'un chiffon humide.

8 Aide en cas de pannes

8.1 Signification des LED

Les LED de la MultiControl indiquent l'état de fonctionnement du convoyeur.

Description du statut indiqué par les LED :

- Éteinte : Les LED sont complètement éteintes
- Allumée : Les LED sont complètement allumées
- Clignote à 1 Hz : Les LED clignotent à une fréquence de 1 Hz ; rapport cyclique 1:1
- Clignote à 2 Hz : Les LED clignotent à une fréquence de 2 Hz ; rapport cyclique 1:1
- - : L'état des LED est variable

LED générales

Power	Ready	Net Run	Fault	Signification	Priorité
Allumée	Allumée	Allumée	Éteinte	Prêt à fonctionner, aucune erreur	
-	Allumée	Clignote 1 Hz	Éteinte	Mode démarrage bus : Après le démarrage, un délai de 30 s s'écoule pour l'établissement de la liaison par la API.	
-	-	-	Clignote 1 x	Erreur dans le programme d'application, par ex. Timeout	1
-	-	-	Clignote 2 x	Défaut de communication : l'établissement de la liaison au démarrage n'a pas lieu dans un délai de 30 s ou la liaison à la API est perdue. L'erreur s'acquitte automatiquement.	3
-	-	-	Clignote 3 x	Erreur du RollerDrive : tout défaut survenant sur le RollerDrive est signalé par le clignotement de la LED « RD » correspondante	2
Allumée	Allumée	-	Clignote 4 x	Absence d'alimentation électrique des moteurs.	5
-	-	-	Clignote 5 x	Erreur de tension sous-tension	4

Aide en cas de pannes

Power	Ready	Net Run	Fault	Signification	Priorité
-	-	-	Clignote 6 x	Erreur de tension surtension	4
-	-	-	Clignote 7 x	Température trop élevée dans la MultiControl.	6
-	-	-	Clignote 8 x	Protection contre les surcharges de la résistance de freinage activée.	7
-	-	-	Clignote 9 x	Communication handshake perturbée. Se référer aux instructions relatives aux applications ZPA et ZPA+.	
-	-	-	Clignote 10 x	Aucune connexion au dispositif voisin. Se référer aux instructions relatives aux applications ZPA et ZPA+	
-	-	-	Clignote 11 x	Un dispositif voisin configuré est défectueux (voir ZPA+, « RemoteEmergency » dans le journal des erreurs)	



Si plusieurs erreurs surviennent simultanément, seule l'erreur ayant la priorité la plus élevée est affichée.

➤ Pour la résolution des erreurs, voir „Recherche d’erreurs” à la page 127.

LED des connexions

LED	État	Signification
Sensor 1 Sensor 2 Sensor 3 Sensor 4	Allumée	État de commutation logique du capteur affiché : logique positive configurée et « 1 » logique (PNP 24 V, NPN 0 V) sur l'entrée- ou - logique négative configurée et « 0 » logique sur l'entrée
I/O 1 I/O 2 I/O 3 I/O 4	Allumée	État de commutation logique de l'entrée/sortie affichée : logique positive configurée et « 1 » logique (PNP 24 V, NPN 0 V) sur l'entrée- ou - logique négative configurée et « 0 » logique sur l'entrée
RD 1 RD 2 RD 3 RD 4	Allumée	Le RollerDrive affiché devient la valeur de consigne
Link/Act A Link/Act B	Allumée ou clignote (pour type de bus EtherCAT)	La connexion réseau affichée est OK

8.2 Recherche d'erreurs

La MultiControl est un système complexe. Il existe de nombreuses corrélations entre les différents composants du système. Dans un tel système, il est normal que se produisent des erreurs résultant soit des processus de convoyage, soit de l'interaction des différents composants. Toutes les erreurs ne peuvent être présentées ici de manière détaillée et l'établissement d'une correspondance entre la localisation de l'erreur et l'emplacement de l'affichage n'est pas toujours possible. Un diagnostic d'erreur optimisé est possible avec la API.

Si la recherche ou l'élimination des erreurs n'aboutit pas, adressez-vous à l'assistance Interroll et préparez les informations suivantes :

- Numéro de série de la MultiControl concernée
- Données relatives à la configuration
- Données relatives aux affichages LED
- Données relatives aux codes d'erreur

Aide en cas de pannes

Panne	Cause possible	Réparation
Défaut de communication	Liaison à la API perturbée	<ul style="list-style-type: none">➤ Vérifier le câblage du bus➤ Vérifier le type de bus➤ Vérifier l'adresse réseau et le nom du bus
Erreur du RollerDrive	Signal de défaut du RollerDrive ou RollerDrive non raccordé à une sortie moteur activée	<ul style="list-style-type: none">➤ Vérifier la configuration du moteur➤ S'assurer que tous les RollerDrive sont correctement raccordés➤ Vérifier la présence d'éventuels défauts conformément au mode d'emploi du RollerDrive
Absence d'alimentation électrique des moteurs		<ul style="list-style-type: none">➤ Vérifier l'alimentation électrique (arrêt d'urgence activé ?)
La MultiControl ne fonctionne pas ou uniquement de manière incorrecte	Alimentation en tension inexistante ou trop faible	<ul style="list-style-type: none">➤ S'assurer que la tension de sortie de l'alimentation se situe bien dans la plage de tension prescrite➤ Vérifier les raccords et les corriger si nécessaire
La MultiControl est défectueuse ou endommagée	Fusible interne déclenché ou défectueux	<ul style="list-style-type: none">➤ Remplacer la MultiControl

Aide en cas de pannes

Panne	Cause possible	Réparation
RollerDrive ne tourne pas	Le RollerDrive n'est pas ou mal branché ou le RollerDrive est défectueux	<ul style="list-style-type: none">➤ S'assurer que la tension de sortie de l'alimentation se situe bien dans la plage de tension prescrite➤ Vérifier les raccords et les corriger si nécessaire➤ Remplacer le RollerDrive si nécessaire
	Surchauffe du résistance de freinage : l'application réinjecte trop d'énergie ou l'alimentation électrique est trop élevée	<ul style="list-style-type: none">➤ Laisser refroidir➤ Abaisser la température de travail si nécessaire➤ S'assurer que la tension de sortie de l'alimentation se situe bien dans la plage de tension prescrite

Aide en cas de pannes

Cordes d'erreur

N°	Texte abrégé	Commentaire
0	AppErrorNone	Aucune erreur dans le programme d'application
1	AppErrUnk	Erreur inconnue dans le programme d'application
2	AppErrSystemSevere	Erreur système majeure
3	AppErrSystemMinor	Erreur système mineure
4	AppErrSystemWarning	Avertissement
5	PIErrItemNotFound	L'objet recherché n'a pas été trouvé
6	AppErrRange	Nombre en dehors de la plage de valeurs valide
10	AppErrNoTerminlInput	Le terminal n'a pas de données d'entrée
11	AppErrStopByOperator	Session de terminal interrompue
12	AppErrParamIll	Paramètre ou valeur d'entrée invalide
13	AppErrModuleInit	Erreur d'initialisation du module
14	AppErrBufferOverflow	Débordement de mémoire
20	AppErrInvalidBusConf	Configuration de réseau ou de bus invalide
21	AppErrBusCom	Erreur de communication du réseau
22	AppErrBusStartUp	Redémarrage du réseau après le (re)démarrage du système
23	AppErrNbrMsgRegister	Message reçu par le voisin
24	AppErrNbrMsgReceive	Erreur dans la communication de voisinage : mauvaise réception
25	AppErrNbrMsgTransmit	Erreur dans la communication de voisinage : mauvaise émission
26	AppErrNbrMsgInvalid	Erreur dans la communication de voisinage : réception d'un message invalide
27	AppErrNbrHandShake	Erreur dans la communication de voisinage : pas de réponse reçue au message Handshake
28	AppErrNbrLifeCheck	Erreur dans la communication de voisinage : aucun signal de vie reçu de la part du voisin
29	AppErrNbrEmergency	Erreur dans la communication de voisinage : pas de réponse reçue au message d'arrêt d'urgence
30	AppErrErrorDataUpdate	Erreur d'accès aux données d'erreur

N°	Texte abrégé	Commentaire
31	ApplErrErrorLogUpdate	Erreur d'accès au fichier journal des erreurs
40	ApplErrPanelMode	Remplacement du module non autorisé
41	ApplErrPanelLedBlocked	Accès à la commande LED bloqué
42	ApplErrInvalidApAPlonf	Configuration du programme d'application invalide
50	ApplErrDriveError1	Erreur RollerDrive 1
51	ApplErrDriveError2	Erreur RollerDrive 2
52	ApplErrDriveError3	Erreur RollerDrive 3
53	ApplErrDriveError4	Erreur RollerDrive 4
60	ApplErrStateTable	Erreur dans le programme d'application
61	ApplErrCtrlError1	Erreur spécifique du programme d'application. Les erreurs des programmes ZPA / ZPA+ sont expliquées dans le document complémentaire « MultiControl / RollerDrive - Start-up and Programming ».
62	ApplErrCtrlError2	
63	ApplErrCtrlError3	
64	ApplErrCtrlError4	
65	ApplErrCtrlError5	
66	ApplErrCtrlError6	
67	ApplErrCtrlError7	
68	ApplErrCtrlError8	
69	ApplErrStartProgram	Impossible de démarrer le programme de l'application
70	ApplErrSysRestart	(Re)démarrage du programme de l'application / du système
71	ApplErrPowerFail	Erreur de tension : panne de tension d'alimentation
90	ApplErrTemperature	Erreur de température : la température de la résistance de freinage est trop élevée
91	ApplErrLowVoltage	Erreur de tension : tension d'alimentation (L2) trop faible
92	ApplErrHighVoltage	Erreur de tension : tension d'alimentation (L2) trop élevée

Aide en cas de pannes

N°	Texte abrégé	Commentaire
93	ApplErrMotorVoltage	Erreur de tension : tension du moteur incorrecte
94	ApplErrOvcOverloaded	Surcharge de la résistance de freinage
95	ApplErrRemoteEmergency	Arrêt d'urgence du voisin de transfert
96	ApplErrLogVoltLow	Erreur de tension : tension d'alimentation (L1) trop faible
97	ApplErrLogVoltHigh	Erreur de tension : tension d'alimentation (L1) trop élevée
101	ApplErrInvalidStateTblConf	Erreur lors du chargement du programme d'application
102	ApplErrNewStateTable	Nouveau programme d'application chargé
103	ApplErrInvalidErrConf	Configuration non valide du programme d'application sélectionné
104	ApplErrInvalidTeachParams	Paramètres de la procédure de Teach-In non valides
105	ApplErrPapSaveConfig	Impossible d'enregistrer les paramètres de liaison de la communication de voisinage
106	ApplErrPapReadConfig	Impossible de lire les paramètres de liaison de la communication de voisinage

9 Démontage et élimination



ATTENTION

Risque de blessure à cause d'une mauvaise manipulation !

- Ne faire réaliser le démontage que par un personnel spécialisé autorisé.
- Ne démonter la MultiControl que hors tension.
- Mettre la MultiControl hors tension et la sécuriser contre une remise en marche involontaire.

9.1 Démontage

- Retirer tous les câbles de la MultiControl.
- Desserrer les vis avec lesquelles la MultiControl est fixée sur la plaque de base et retirer la MultiControl.
- Si la MultiControl doit être entièrement démontée, desserrer également les vis avec lesquelles la plaque de base est fixée sur le châssis du convoyeur et retirer la plaque de base de ce dernier.

9.2 Élimination



En principe, l'exploitant est responsable de l'élimination professionnelle et écologique des produits.
La mise en œuvre de la directive DEEE 2012/19/UE dans les lois nationales doit être respectée.

Annexe

10 Annexe

10.1 Accessoires

Article	Numéro d'article
Distributeur de câble plat	S-1115717
Câble plat flexible pour l'alimentation électrique (25 m)	S-1004030
Bloc d'alimentation High Performance HP 5424	S-1113899
Bloc d'alimentation High Performance HP 5448	S-1113900
Clé magnétique	S-64100210
Ligne Y pour MultiControl	S-1104460
Câble de communication pour MultiControl (3 m)	S-1104438
Obturateurs pour MultiControl	S-1104466
Pack :	
3 x M8 enfichable pour RollerDrive	
3 x M8 vissable pour capteur	
1 x M12 vissable de communication	
Câble de rallonge RollerDrive EC310 (2 m)	S-1004033
Câble de rallonge RollerDrive EC5000 (2 m)	S-1113897
Pont de câbles pour câble plat flexible	S-1004028
Pont de câbles pour blindage	S-1113876

10.2 Déclarations de conformité

Déclaration UE de conformité

Directive CEM 2014/30/UE

Directive RoHS 2011/65/UE

Le fabricant

Interroll Software & Electronics GmbH
Im Südpark 183
4030 Linz
AUSTRIA

Le

- **MultiControl AI Interroll - Numéro de modèle 1103563**
- **MultiControl BI Interroll - Numéro de modèle 1103564**

est conforme aux dispositions applicables et dispose du marquage CE lié conformément aux directives susmentionnées.

Liste des normes harmonisées appliquées :

EN 61326-1:2013
EN 61000-3-2:2014
EN 61000-3-3:2013
EN 63000:2018

Habilité à élaborer la documentation technique :

Interroll Software & Electronics GmbH, Im Südpark 183, 4030 Linz

Andreas Eglseer
Managing Director, Interroll Software & Electronics GmbH
Linz, 01.07.2022

CERTIFICATE OF COMPLIANCE

Certificate Number 2018-5-28-E496888
Report Reference E496888-D1000-1/A0/C0-UL
Issue Date 2018-5-28
Issued to: Interroll Engineering GmbH
Applicant Company: Hoeferhof 16
Wermelskirchen, 42929 Germany
Listed Company: Same as Applicant

This is to certify that representative samples of Multi Control Interface
1103563, 1103564

Have been investigated by UL in accordance with the Standard(s) indicated on this Certificate.

Standard(s) for Safety: UL 61010-1, 3rd Edition, May 11, 2012, Revised April 29 2016, CAN/CSA-C22.2 No. 61010-1-12, 3rd Edition, Revision dated April 1 2016

Additional Standards: UL61010-2-201, 1st Edition, Revised February 20, 2017, CAN/CSA-C22.2 No. 61010-2-201:14, 1st Edition, January 01, 2014

Additional Information: See the UL Online Certifications Directory at www.ul.com/database for additional information.

Only those products bearing the UL Certification Mark should be considered as being covered by UL's Certification and Follow-Up Service.

Look for the UL Certification Mark on the product.

This is to certify that representative samples of the product as specified on this certificate were tested according to the current UL requirements.


Bruce Mahrenz, Assistant Chief Engineer, Global Inspection and Field Services, UL LLC
Joseph Hovey, General Manager, Director of Sales - Canada, UNDERWRITERS LABORATORIES OF CANADA INC.
Any information and documentation involving UL Mark services are provided on behalf of UL LLC (UL) or any authorized licensee of UL. For questions, please contact a local UL Customer Service Representative www.ul.com/contactus





INSPIRED BY EFFICIENCY

EN/FR - UI | 07/2022 | Version 3.1 | 1119087