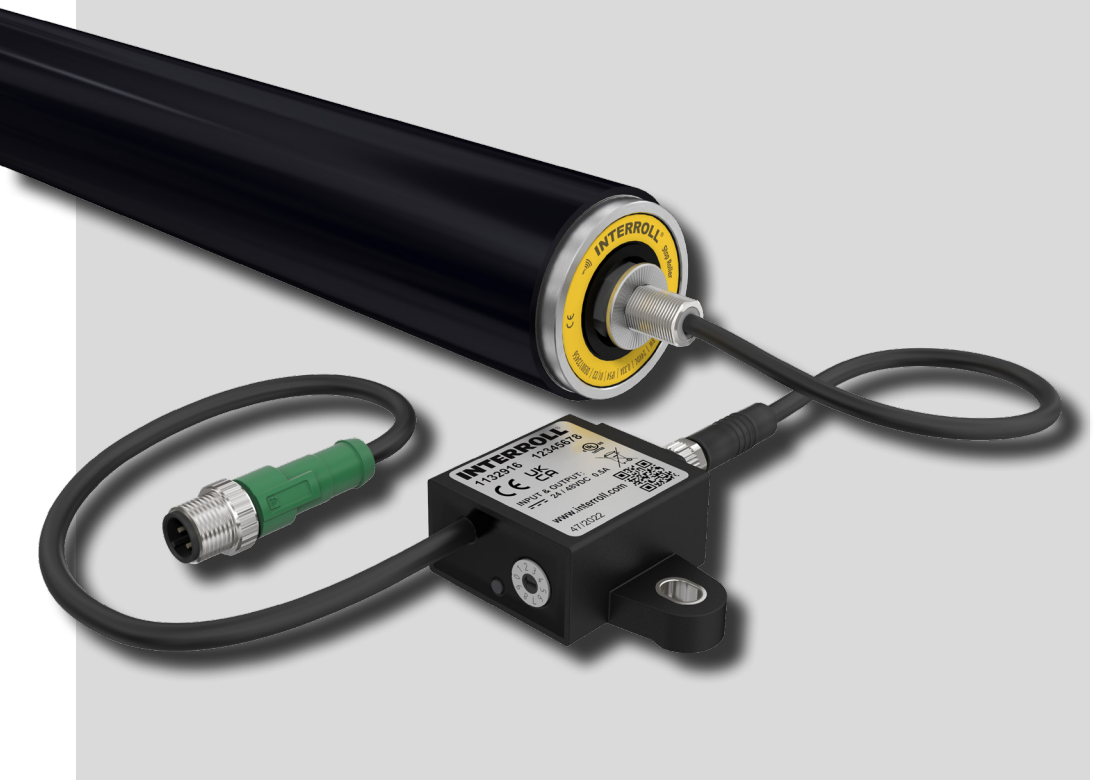


Operating manual

Stop Roller ZM5450



Manufacturer details

Interroll Engineering GmbH
Höferhof 16
42929 Wermelskirchen, Germany
Tel.: (+49-21) 93-230
Fax: (+49-21) 932-022
www.interroll.com

Content

We strive for the accuracy, timeliness and completeness of the information and have carefully prepared the contents in this document. Regardless of this, errors and changes are expressly reserved.

Copyright/industrial property rights

Any texts, images, graphics and the like, as well as their arrangement, are subject to protection under copyright and other laws of protection. The reproduction, modification, transmission or publication of any part of this document or of the entire document in any form is prohibited.

The document serves the exclusive purposes of information and of operation in accordance with the regulations and does not justify any counterfeiting of the products concerned.

All signs contained in this document (protected marks, such as logos and trade names) are the property of Interroll Holding AG, CH or of third parties and must not be used, copied or distributed without prior written consent.

Online version – only suitable for colour printing!

Contents

1	Product information	5
1.1	Product description	5
1.2	Warning notices in this document	6
1.3	Symbols	7
2	Safety-related information	8
2.1	Proper use	8
2.2	Improper use	8
2.3	Qualification of personnel	9
2.4	Dangers	10
	Injury to persons	10
	Electricity	10
	Rotating parts	10
	Work environment	10
	Faults in operation	10
	Maintenance	10
2.5	Interface to other devices	11
3	The Stop Roller	12
3.1	Technical data	12
3.2	Selecting the Stop Rollers	13
3.3	Dimensions	14
3.4	Rating plate	15
3.5	Applicable documentation	15
4	Adapter for Stop Roller	16
4.1	Adapter dimensions	16
4.2	Technical data	16
4.3	Coding switch switching stages	17
4.4	LED	17
4.5	Adapter connection pin assignment	17
5	Transport and storage	18
5.1	Transport	18
5.2	Storage	18

Contents

6	Assembly and installation	19
6.1	Warning notices for installation	19
6.2	Installing the Stop Roller	20
	Installing the attachment shaft	20
	Attaching the non-cable side	21
	Securing the Stop Roller in the side profile	22
6.3	Installation tool (accessory)	23
6.4	The Interroll Interlock (accessories)	24
6.5	Electrical installation	25
7	Start-up and operation	26
7.1	Warning notices for start-up and operation	26
7.2	Start-up	26
	Check before the initial start-up	26
8	Maintenance and cleaning	27
8.1	Maintenance	27
	Checking the Stop Roller	27
	Replacing the Stop Roller	27
8.2	Cleaning	27
9	Assistance in the event of faults	28
9.1	Troubleshooting	28
10	Decommissioning and disposal	29
10.1	Decommissioning	29
10.2	Disposal	29
11	Appendix	30
11.1	Accessories	30
	PolyVee belt	30
	PolyVee clamping aid	30
	PolyVee finger guard (50 mm roller only)	30
	Tool	30
11.2	Declaration of Conformity	31
11.3	UKCA Declaration of Conformity	32

1 Product information

1.1 Product description



Mainly on inclined conveyor lines, it is important that drives such as the RollerDrive EC5000 hold material to be conveyed in position during stationary conveying operation. If the system voltage fails, the drives are no longer able to do this.

The Stop Roller can be used to prevent material to be conveyed from moving downhill. It holds material to be conveyed that has come to a standstill in position or stops material to be conveyed that is still in motion as soon as the 24 V DC or 48 V DC system voltage is switched off.

PolyVee belts can be used to connect the Stop Roller to conveyor rollers and RollerDrive.

A conveying zone set up in this way offers optimum protection against unintentional conveyed material movements in roller downhill sections.

The Stop Roller is connected to the adapter via an M8 connector and the adapter is connected to the power supply of the system via an M12 connector.

The operating manual is a component of the product and contains important advice and information regarding the different operating phases of the Stop Roller. It describes the Stop Roller at the time of shipping from Interroll.

The currently applicable version of this operating manual can be found online at: www.interroll.com

All the information and advice in this operating manual has been compiled with respect to applicable standards and regulations as well as the current state of the art.

- To ensure safe and faultless operation and to fulfil any warranty claims that may apply, read this operating manual first and observe its instructions.
- Keep this operating manual within close reach of the Stop Roller.
- Pass this operating manual onto every subsequent owner or user.



The manufacturer assumes no liability for damage and malfunctions that occur as a result of non-compliance with this operating manual.



Should you still have any unanswered questions after reading this operating manual, please contact Interroll customer service. Contact details for your region can be found online at www.interroll.com

Please direct any comments and suggestions regarding our operating manuals to manuals@interroll.com

Product information

1.2 Warning notices in this document

Warning notices are provided in the context in which danger can occur and describe the nature of the danger in question. They are structured according to the following examples:



SIGNAL WORD

Type and source of hazard

Consequence(s) in the event of non-compliance

➤ Measure(s) for avoiding hazard

Signal words indicate the type and severity of the consequences if measures to avoid the hazard are not observed.



DANGER

Denotes an imminent hazard.

If measures to avoid the hazard are not observed, death or severe injury will occur.

➤ Preventive measures



WARNING

Denotes a potentially hazardous situation.

If measures to avoid the hazard are not observed, death or severe injury may occur.

➤ Preventive measures



CAUTION

Denotes the possibility of a hazardous situation.

If measures to avoid the hazard are not observed, minor or moderate injury may occur.

➤ Preventive measures

NOTE

Denotes a situation that can lead to material damage.

- Preventive measures
-

1.3 Symbols



This symbol indicates useful and important information.

- ✓ This symbol indicates a requirement that must be fulfilled before carrying out assembly or repair work.



This symbol indicates general information relating to safety.

- This symbol indicates an action that needs to be performed.
- This symbol indicates a listed item.

Safety-related information

2 Safety-related information

2.1 Proper use

The Stop Roller is intended to be used to hold static conveyed goods on inclined conveying routes.



Dynamic braking is possible, but should remain the exception!

The Stop Roller is suitable for gravity roller conveyors with continuous or zero-pressure accumulation conveyor operation, in end points of sorters with an angle of inclination between 2° and 15°. It holds conveyed goods from 0.5 kg to 50 kg.

The Stop Roller must only be operated with the adapter supplied.

The Stop Roller must only be used in an industrial environment for industrial purposes within the stipulated performance limits that are given in the technical specifications.

It must be integrated into a conveyor unit or conveyor system before commissioning.



The Stop Roller is not a safety component and must not be used to protect persons. Misuse may lead to serious injuries.

2.2 Improper use

Any use that goes beyond the proper use is considered improper, unless this has been authorised by Interroll Engineering GmbH where applicable.

Any modification by conversion of the Stop Roller or attachment to the Stop Roller is prohibited.

The equipment must not be installed in areas in which substances could form explosive atmospheres/dust atmospheres or for application in the medical/pharmaceutical sector.

It is considered improper use to install the equipment in exposed spaces that are open to potentially adverse weather conditions, or areas in which the technology would suffer from the prevailing climactic conditions and could potentially malfunction as a result.

The Stop Roller is not intended for use by private end users. The equipment must not be used in a residential environment without further examination and without the use of EMC protective measures that have been adapted accordingly.

The Stop Roller is not suitable for holding people.

2.3 Qualification of personnel

Non-qualified personnel are unable to identify risks and are therefore exposed to higher levels of danger.

- Only qualified personnel may be assigned with the tasks outlined in this operating manual.
- The operating company is responsible for ensuring that personnel adhere to the locally valid rules and regulations for working in a safe and risk-aware manner.

This operating manual is intended for the following target audiences:

Operating personnel

Operating personnel have been instructed in how to operate and clean the Interroll RollerDrive and follow the safety regulations.

Service engineers

The service engineers have a specialist technical education or have successfully completed a training course from the manufacturer. They carry out repair and maintenance work.

Qualified electricians

Qualified electricians have a specialist technical education. Moreover, due to their knowledge and experience as well as knowledge of applicable regulations, they are able to carry out work on electrical equipment in an appropriate manner. They are able to identify potential hazards independently and prevent electrical damage to persons and property.

All work on electrical equipment must generally only be performed by a qualified electrician.

Safety-related information

2.4 Dangers



Here, you will find information about the different types of dangers or damage that can occur in connection with the operation of the Stop Roller.

Injury to persons

- Maintenance, installation and repair work on the unit must only be carried out by authorised technical personnel in compliance with the applicable provisions.
- Before switching on the Stop Roller, ensure that no unauthorised personnel are situated in the vicinity of the conveyor/conveying system.

Electricity

- Installation and repair work must only be carried out when the system has been disconnected from the power supply.
- Switch off the power to the Stop Roller and ensure that it cannot be unintentionally switched on again.

Rotating parts

- Keep fingers and hair away from moving parts.
- Persons with long hair should wear a hair net.
- Close-fitting work clothing should be worn.
- Do not wear items of jewellery such as necklaces or bands.

Work environment

- Remove any materials and objects that are not required from the working area.

Faults in operation

- Regularly check the Stop Roller for visible damage.
- In the event that smoke begins to form, unusual sounds are heard or the material to be conveyed becomes jammed or develops defects, switch off the power to the Stop Roller immediately and ensure that it cannot be unintentionally switched on again.
- Immediately contact specialist personnel to determine the cause of the malfunction.

Maintenance

- Since the product in question requires no maintenance, it is sufficient to simply examine the Stop Roller for visible damage on a regular basis.
- Never open the Stop Roller!

2.5 Interface to other devices

The integration of the Stop Roller into a conveyor system can create additional potential hazards. Such potential hazards are not covered by this operating manual and must be analysed during the development, installation and commissioning of the conveyor system as a whole.

- Following the integration of the Stop Roller into a conveyor system, the entire system must be checked for any new potential hazards that may be present before the conveyor is switched on.

The Stop Roller

3 The Stop Roller

3.1 Technical data

System voltage	24 V DC	48 V DC
Power	8 W	
Holding torque	2.5 Nm	
Length of the connecting cable	500 mm	
Connector version	M8, screw version, 3-pole	
Min. length (RL)	200 mm	
Max. length (RL)	1500 mm	
Ambient temperature in operation	0 °C to +40 °C	
Max. load capacity	350 N	
Attachment shaft on the cable side	Stainless steel, 11 mm HEX, M12 x 1 thread	
Pipe wall thickness	50 mm diameter: 1.5 mm 51 mm diameter: 2 mm	
Tube material	Galvanized steel, stainless steel	
Tube sleeve	PVC hose, 2 mm PU hose, 2 mm 2 mm lagging (51x2 stainless steel tube material only)	

All data applies for an ambient temperature of 20 °C.

RL = Reference length/order length

3.2 Selecting the Stop Rollers

The reliability of the Stop Rollers used depends on several parameters:

- Pitch angle/angle of inclination of the conveying system
- Conveying/infeed speed
- Weight of the material to be conveyed
- Material and length of the material to be conveyed



For safe operation, the final layout, and thus the number of Stop Rollers used, must be determined by the user on the basis of the intended specific use.



B10 = 50,000 (Static load, 50 kg, 10° inclination angle, ambient temperature 20 °C)

The Stop Roller

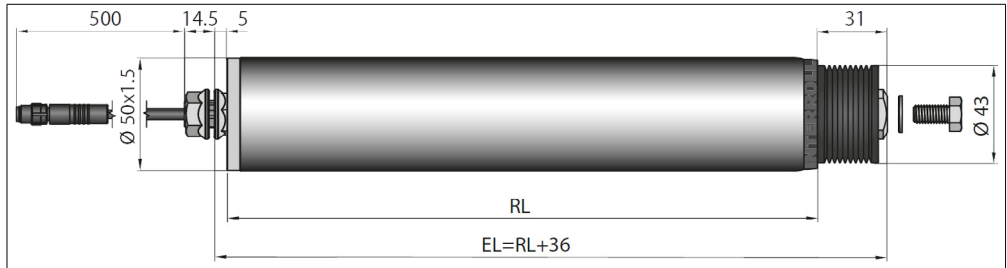
3.3 Dimensions

The dimensions of the conveyor rollers depend on the axle version. Sufficient axial clearance is already taken into account, therefore only the actual clearance between the side profiles is required when ordering.

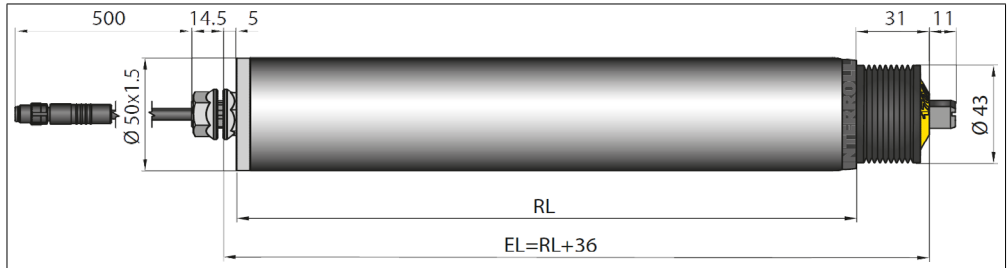
RL = Reference length/order length

EL = Installation length, clearance between the side profiles

Stop Roller with female thread M8

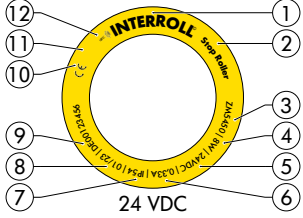


Stop Roller with hexagonal spring axle

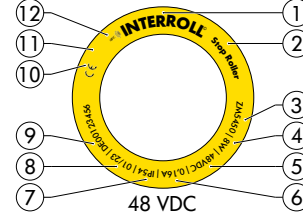


3.4 Rating plate

The information on the rating plate allows the Stop Roller to be identified. This is essential to be able to use the Stop Roller as intended.



24 VDC



48 VDC

<p>Rating plate</p> <ul style="list-style-type: none"> 1 Manufacturer 2 Designation 3 Type designation 4 Rated Power 5 Rated voltage 6 Rated current 	<ul style="list-style-type: none"> 7 Protection rate 8 Calendar week/year of manufacture 9 Serial number with country code 10 CE marking 11 12 Reference to NFC chip in label
---	---

3.5 Applicable documentation

Product-specific data can be read out via the Interroll Product App and the NFC chip integrated in the type plate. The Interroll Product App is available in all known app stores:



Adapter for Stop Roller

4 Adapter for Stop Roller

NOTE

Damage to the held goods due to incorrectly set delay time!

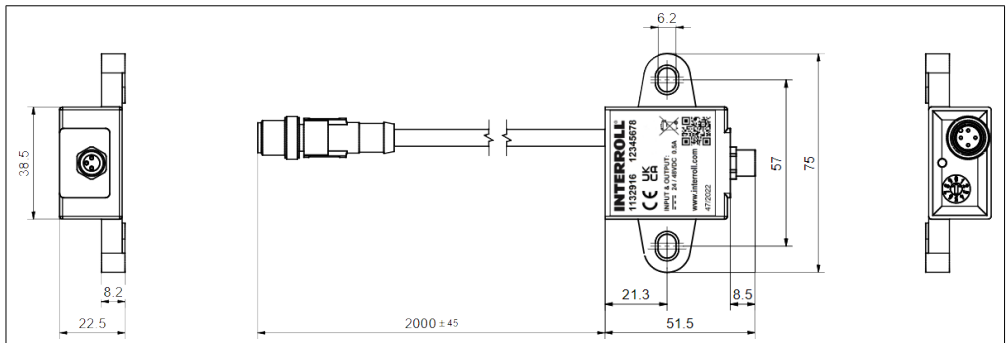
- Select the delay time so that the connected RollerDrive operates safely in closed-loop operation (zero motion hold).

The Stop Roller is always delivered with an adapter.

In addition to protecting the connecting cable, the task of the adapter is to eliminate voltage peaks when switching the Stop Roller.

Delay times are set via a rotary coding switch. This delays the time between switching on the system voltage and switching off the stop function of the Stop Rollers.

4.1 Adapter dimensions



4.2 Technical data

System voltage, not stopped	22–51.5 V DC
System voltage, stopped	0–19 V DC
Rated current incl. 24 V Stop Roller	0.3 A
Rated current incl. 48 V Stop Roller	0.2 A
Length of the connection cable (2 x 2.5 mm ²)	2000 mm
Connector version	M12, screw version, 4-pole
Protection rate	IP54
Ambient temperature in operation	0 °C to +40 °C

All data applies for an ambient temperature of 20 °C.

4.3 Coding switch switching stages

NOTE

No transfer of the set delay time.

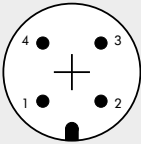


- Only change the delay time when the operating voltage is switched off.

Switch position	Delay time [seconds]
0	0
1	2
2	4
3	6
4	10
5	14
6	17
7	20
8	25
9 (delivery condition)	29

4.4 LED

Status	Meaning
LED off	System voltage off, Stop Roller brakes
LED flashes	Set delay time running
LED on	System voltage on, Stop Roller free

4.5 Adapter connection pin assignment

	Connection	Supply cable plug, M12 x 1	Stop Roller connection socket
	1	 24/48 V DC	24/48 V DC
	2	-	-
	3	 GND	GND
	4	-	x

Transport and storage

5 Transport and storage

5.1 Transport



CAUTION

Risk of injury from improper transport.

- Transport operations must only be carried out by authorised, qualified personnel.
-

Please note the following:

- Avoid heavy impacts during transport.
- Check each Stop Roller after transport for any visible damage.
- If any damage has been identified, photograph the damaged parts.
- In the event that damage has been incurred during transport, inform the shipping agent or Interroll immediately to ensure that you do not lose any potential damage claims.
- Do not expose the Stop Rollers to any strong fluctuations in temperature, since this can lead to condensation forming.

5.2 Storage



CAUTION

Risk of injury due to improper storage.

- Ensure that the Stop Rollers are stored safely.
-

Please note the following:

- Do not stack pallets on top of one another.
- Check each Stop Roller after storage for any visible damage.

6 Assembly and installation

6.1 Warning notices for installation



CAUTION

Risk of crushing due to rotating parts.

- Do not place your fingers between the Stop Roller and the PolyVee belt.
- Install protective equipment (e.g. Interroll PolyVee finger guard) to prevent fingers from getting caught in the PolyVee belt or round belt.
- Affix suitable warning notices/pictograms to the conveyor.

NOTE

An improper approach to installing the Stop Roller can lead to material damage or reduce the service life of the Stop Roller.

- To preserve the interior of the Stop Roller, do not allow the Stop Roller to fall or for it to be used in an improper fashion.
- Check each Stop Roller before assembly for any visible damage.
- To prevent the inner connections from being damaged, do not hold, carry or secure the Stop Roller by the cable.
- Do not use force to insert the Stop Roller into the side profile. It must be inserted gently into the side profile.
- Pay attention to the correct tightening torque of the Stop Roller hexagonal nut to prevent the shaft in the side profile from rotating and the Stop Roller cable from twisting (see „Securing the Stop Roller in the side profile“ on page 22).
- Do not twist the Stop Roller cable.


Assembly and installation

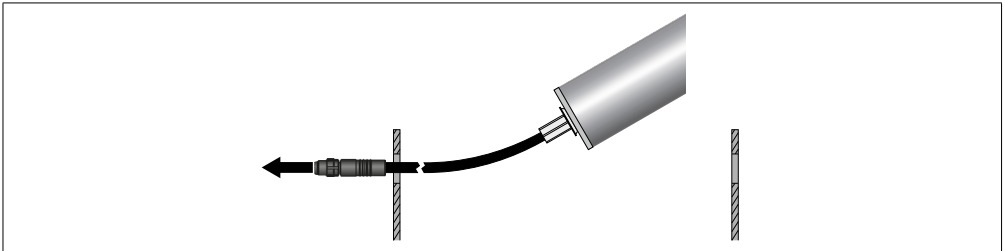
6.2 Installing the Stop Roller

Installing the attachment shaft

NOTE

Internal parts of the Stop Roller can be damaged through improper handling.

- Do not fit the fastening nut yet
 - Ensure correct equipotential bonding of all metallic elements of the conveyor unit (Stop Roller, side profile, supporting structure, etc.). Improper earthing can lead to a build-up of static charge, which can result in a malfunction or premature failure of the Stop Roller and/or the connected control system.
 - Remove packaging material and transport protection from the Stop Roller.
-  To guarantee safe equipotential bonding of the Stop Roller, the fastening nut must be in direct contact with the metallic surface of the earthed side profile.
- If necessary, remove the coating of the side profile in the area of the fastening nut.
 - Insert the Stop Roller cable and attachment shaft into the hex hole provided (min. 11.2 mm) or round hole (min. 12.2 mm) of the side profile.



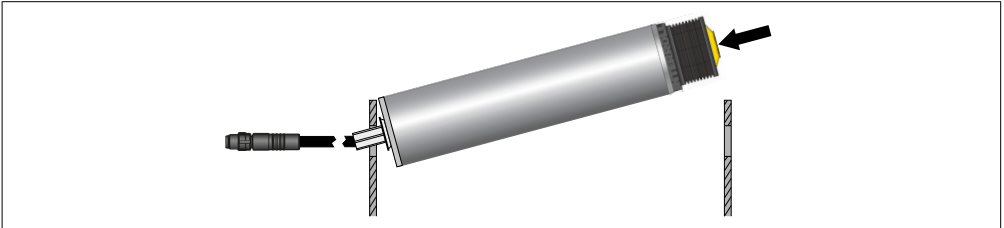
Assembly and installation

Attaching the non-cable side

Two examples are provided:

Inserting the hexagonal spring shaft

- Press the spring shaft inwards and align the shaft so that it corresponds to the opening in the side profile.

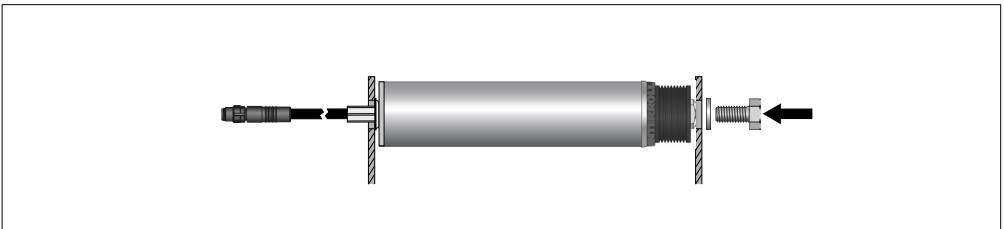


- Release the hexagonal spring shaft so that it springs into the opening of the side profile.



Inserting the internal thread shaft pin

- Place a washer on a M8x20 screw.
- Align the Stop Roller with the opening in the side profile and insert the M8 screw with the washer into the opening. Secure the shaft pin with an open-ended spanner to prevent it from twisting (depending on the version of the shaft pin, the width across flats will be 13 mm or 19 mm).



- Tighten the screw using a torque spanner with a tightening torque of 20 Nm.



If the parts used for attaching the Stop Roller are not the parts that have been supplied by Interroll, it is important to ensure that the attachment is secure enough that it will not twist.

Assembly and installation

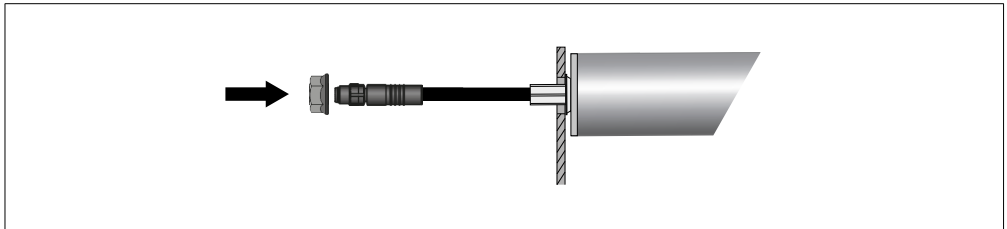
Securing the Stop Roller in the side profile

A nut is located close to the bearing housing on the attachment shaft. This inner nut is pre-fitted and secured in the correct position.



Do not twist the inner nut.

- Secure the inner nut with a flattened counter ratchet with a 17 mm width across flats (accessory) to prevent it from twisting.
- Slide the nut included in the scope of delivery over the Stop Roller line and screw it onto the attachment shaft.

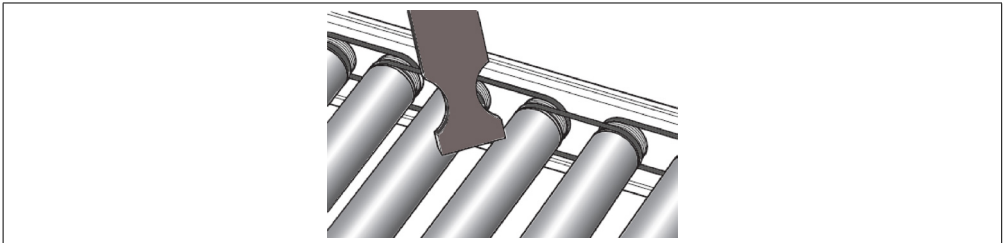


- Tighten the nut using a torque spanner with a tightening torque of 70 Nm.

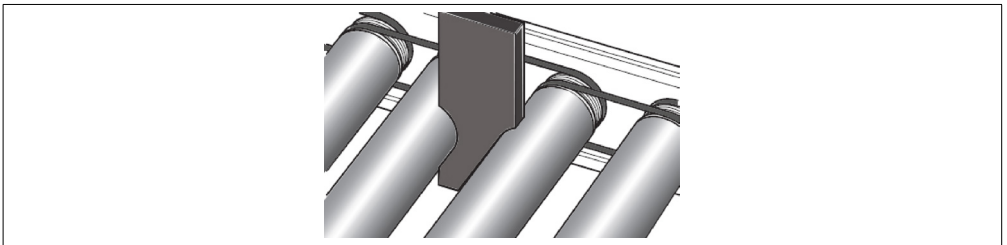
6.3 Installation tool (accessory)



For the installation of the PolyVee belt, we recommend using the PolyVee clamping aid, which is available as an accessory.



- Attach the first roller.
- Position the PolyVee clamping aid between the attached roller and the roller/Stop Roller that has not yet been attached.
- Rotate the PolyVee clamping aid by 90° so that the rollers are positioned in the cut-outs intended for them.
- The belt is optimally tensioned and a roller/Stop Roller is properly aligned horizontally and vertically. An internal thread attachment is consequently aligned with the attachment hole in the side profile.

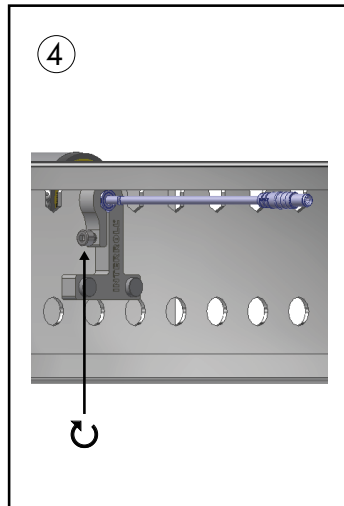
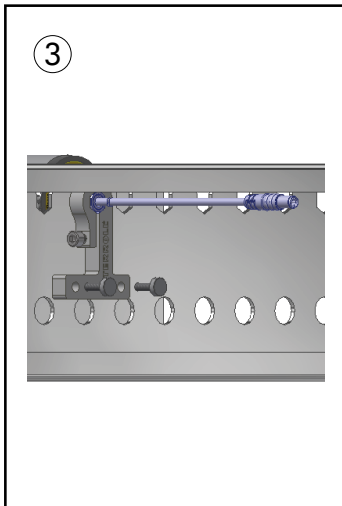
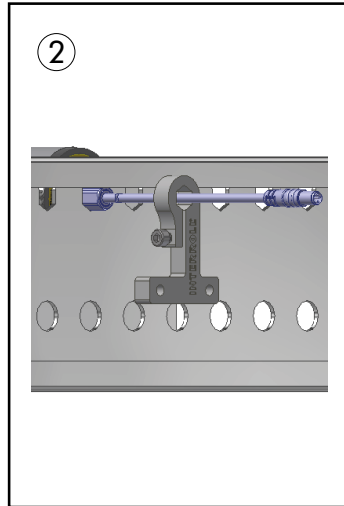
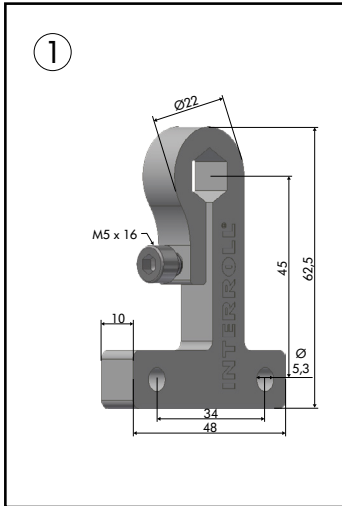


The PolyVee clamping aid is intended for the 75 mm and 100 mm roller pitches and designed for rollers and Stop Rollers with a diameter of 50 mm.

Assembly and installation

6.4 The Interroll Interlock (accessories)

The Interroll Interlock is slipped over the cable of the Stop Roller and attached to the conveyor frame.



6.5 Electrical installation



WARNING

Risk of crushing from uncontrolled start-up of the conveyor system.

- Before connecting the Stop Roller, switch off the power to the conveyor system and ensure that it cannot be unintentionally switched on again.

NOTE

Risk of material damage to the Stop Roller and/or the Stop Roller cables.

- Never operate the Stop Roller without the supplied adapter.
 - Never operate a 24 V Stop Roller on 48 V, as this will lead to irreparable damage to the device.
 - Never operate the Stop Roller with an alternating current (AC), as this may result in irreparable damage to the device.
 - Do not expose the Stop Roller connector to excessively high tensile or pressure loads. Bending the Stop Roller cables or sliding the attachment nut on too forcefully may damage the insulation of the cables, which may lead to the failure of the Stop Roller.
 - Permissible bending radii: Simple bending 15 mm, multiple bending 50 mm.
- Connect the Stop Roller plug to the corresponding connector of the supplied adapter.
- Connect the plug of the Stop Roller adapter to an M12 ASi adapter (1134054) which is pierced into the ribbon cable of the RollerDrive supply voltage of the Interroll MultiControl.
- or
- Cut off the plug of the Stop Roller adapter and connect it directly to the Interroll power supply unit.



If there is increased feedback due to the motor rollers being switched off, the brake may be applied with a delay.

If necessary, the Stop Roller must be switched separately.

Start-up and operation

7 Start-up and operation

7.1 Warning notices for start-up and operation



WARNING

Risk of crushing and potential hazards from rotating parts due to uncontrolled start-up of the Stop Roller.

- Do not reach with your fingers between the Stop Roller and the drive medium.
 - Do not remove the protective equipment.
 - Keep fingers, hair and loose clothing away from the Stop Roller.
-



The stop process can lead to a perceptible noise development of the friction partners within the module.

7.2 Start-up

Check before the initial start-up

- Ensure that there are no points of contact between objects and rotating/moving parts.
- Ensure that all screws have been tightened according to the specifications.
- Ensure that no additional hazards are formed through the interfaces to other components.
- Ensure that the wiring conforms to specifications and legal provisions.
- Ensure that no persons are in the hazardous areas by the conveyor system.
- Check all protective equipment.

8 Maintenance and cleaning



WARNING

Risk of injury from following incorrect procedure.

- Maintenance and repair work must only be carried out by authorised and trained (specialist) personnel.
- Maintenance and repair work must only be carried out when the system has been disconnected from the power supply. Switch off the power to the Stop Roller and ensure that it cannot be unintentionally switched on again.
- Put up signs to indicate that maintenance or cleaning work is being carried out.

8.1 Maintenance

Checking the Stop Roller

If the Stop Roller is not secured according to the installation instructions (see „Installing the Stop Roller“ on page 20), it may rotate in the side profile. This means that the Stop Roller cable may twist and become damaged.

- One month after the Stop Roller has been installed, check to ensure it is still firmly seated in the side profile and tighten it with a torque spanner if necessary.
- Check the Stop Roller every month for any visible damage.
- Once a year, ensure that the shaft of the Stop Roller is still correctly secured in the side profile.
- Each stop process leads to wear of the friction partners within the module.
Regularly check whether the expected function is fulfilled.

Replacing the Stop Roller

If the friction partners within the Stop Roller no longer perform as expected, or the Stop Roller is damaged or defective, it must be replaced..



Do not attempt to open the Stop Roller.

- Install a new Stop Roller (see „Installing the Stop Roller“ on page 20).

8.2 Cleaning

- Remove any foreign bodies and coarse impurities from the surface of the roller.
- Minor impurities can be removed using a damp cloth.
- Do not use any sharp-edged tools to clean the Stop Roller.

Assistance in the event of faults

9 Assistance in the event of faults



WARNING

Risk of injury from following incorrect procedure.

- Troubleshooting must only be carried out by authorised, qualified personnel.
- Troubleshooting must only be carried out when the system has been disconnected from the power supply.
- Switch off the power to the Stop Roller and ensure that it cannot be unintentionally switched on again.

9.1 Troubleshooting

Fault	Possible cause	Remedy
Stop Roller brake does not open.	No/incorrect supply voltage.	Check the 24 V DC/48 V DC voltage supply.
	The Stop Roller connector is not connected correctly.	Check the cable connection.
	Stop Roller cable damaged.	Check the Stop Roller cable for damage. If the cable is defective, replace the Stop Roller.
	Line protection triggered inside the adapter	Check Stop Roller and adapter.

10 Decommissioning and disposal



CAUTION

Risk of injury from following incorrect procedure.

- Decommissioning must only be carried out by authorised, qualified personnel.
- Only decommission the Stop Roller when the system has been disconnected from the power supply.
- Switch off the power to the Stop Roller and ensure that it cannot be unintentionally switched on again.

10.1 Decommissioning

- Disconnect the Stop Roller cable from the adapter.
- Remove the outer nut from the motor shaft.
- If the Stop Roller is fitted with an internal thread shaft pin, remove the screw on the shaft.
- Remove the Stop Roller from the side profile.

10.2 Disposal



In principle, the operator is responsible for the proper and environmentally compatible disposal of the products.

In doing so, the implementation of the WEEE Directive 2012/19/EU in national laws must be observed.

Alternatively, Interroll offers to take back the products.

Contact:

de10_customerservice@interroll.com

Appendix

11 Appendix

11.1 Accessories

PolyVee belt

Number of ribs	Roller pitches +/-1 mm	Max. weight of material to be conveyed (kg)	Article number	Belt designation
3	60	300	S-1111216	256
3	75		S-1111219	286
3	90		S-1111221	314
3	100		S-1111223	336
3	120		S-1111225	376

PolyVee clamping aid

Article	Article number
PolyVee clamping aid	S-1101272

PolyVee finger guard (50 mm roller only)

Article	Article number
Roller pitch, 75 mm	S-8863
Roller pitch, 100 mm	S-8864

Tool

Article	Article number
Attachment nut	S-1101248
Counter wrench, SW13/SW17	S-1132933
Interlock	S-1120484

11.2 Declaration of Conformity

EU Declaration of Conformity

EMC Directive 2014/30/EU

RoHS Directive 2011/65/EU

The manufacturer

Interroll Engineering GmbH
Höferhof 16
42929 Wermelskirchen, Germany
Germany

hereby declares that the

- **Stop Roller incl. adapter**

conform to the applicable provisions and the associated CE marking in accordance with the aforementioned directives.

Authorised for compiling technical documentation:
Interroll Engineering GmbH, Höferhof 16, 42929 Wermelskirchen, Germany

i.v. 

Jörg Schiffler
Product Compliance Officer Interroll Engineering GmbH
Wermelskirchen, 17.01.2023

Appendix

11.3 UKCA Declaration of Conformity

Declaration of conformity

UK Electromagnetic Compatibility Regulations 2016

UK Restriction of the Use of Certain Hazardous Substances in Electrical and Electronic Equipment Regulations 2012

The manufacturer

Interroll Engineering
GmbH
Höferhof 16
42929 Wermelskirchen
Germany

**represented in the UK
by**


Interroll Limited
Unit 1a, Orion Way, Kettering,
Northants
NN15 6NL
England

hereby declares that the

- **Stop Roller incl. adapter**

conforms to the applicable provisions and the associated UKCA marking in accordance with the aforementioned Directives.

Authorised for compiling technical documentation:
Interroll Engineering GmbH, Höferhof 16, 42929 Wermelskirchen, Germany

i.v. 

Jörg Schiffler
Product Compliance Officer Interroll Engineering GmbH
Wermelskirchen, 17.01.2023

INSPIRED BY EFFICIENCY

EN | 07/2023 | Version 1.1