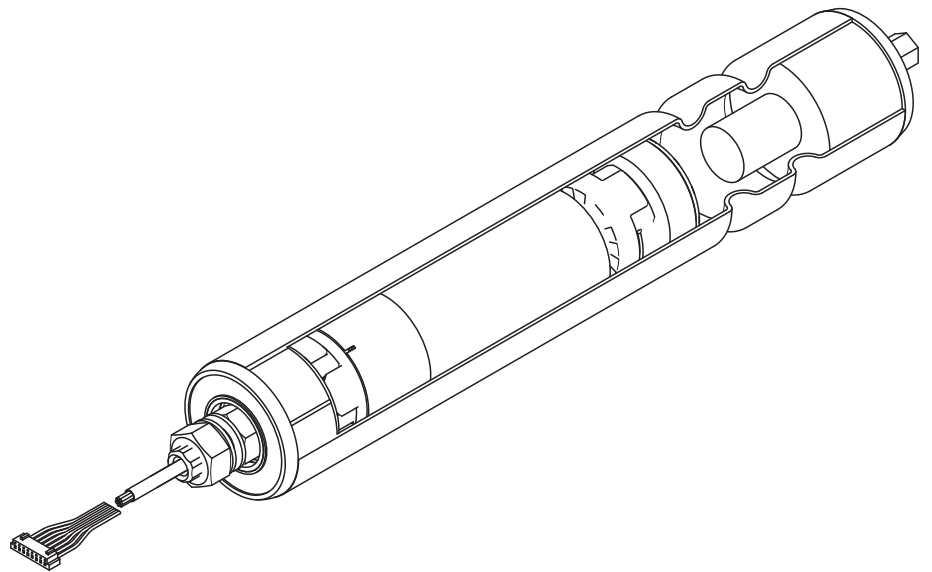




**INSPIRED BY
EFFICIENCY**



User manual
Interroll RollerDrive
EC100
EC110

Manufacturer's address

Interroll Engineering GmbH
Hoeferhof 16
D-42929 Wermelskirchen
Tel. +49 2193 23 0
Fax. +49 2190 2022
www.interroll.com

Copyright

The copyright of this manual remains with Interroll Engineering GmbH. The operating instructions contain technical regulations and drawings which may not be reproduced partially or in full, transmitted by any means, utilized without permission for competitive purposes or disclosed to third parties.

Table of contents

Introduction	
Information about the operating instructions	2
Warnings in this manual	2
Further symbols	3
Safety	
General safety instructions	4
Intended use	4
Unintended use	4
Qualified persons	5
Dangers	5
Interfaces	6
Operating modes	6
Product information	
Components	7
Product Description	7
RollerDrive label	8
Product identification	8
Technical specifications	9
Performance data of the RollerDrive EC100 with DriveControl	10
Performance data of RollerDrive EC110 with DriveControl HC-EC110	10
DriveControls for the RollerDrive EC1xx	11
Motor plug	11
Dimensions of motor shaft	12
Dimensions of bearing seats on the non-driven side	13
Round belt groove locations	14
Conical RollerDrives	14
Failsafe brake for RollerDrive EC100	15
Transport and storage	
Transport	16
Storage	16
Assembly	
Warning information for assembly	17
Warning notices for the electrical installation	18
RollerDrive installation	19
Mounting tool	21
Anti-spin bracket	22
Electrical installation	23
Initial startup and operation	
Initial startup	24
Operation	24
Procedure in case of accident or malfunction	24
Maintenance and cleaning	
Warnings concerning maintenance and cleaning	25
Maintenance	25
Cleaning	25
Troubleshooting	
Troubleshooting	26
Abandonment and disposal	
Abandonment	27
Disposal	27
Appendix	
Accessories	28
Installation Declaration	29



Introduction

Information about the operating instructions

In this manual the RollerDrives EC100 and EC110 are referred to as RollerDrive EC1xx.

Contents

This manual contains important advice, notes and information about the RollerDrive EC1xx in all phases of its lifecycle:

- Transport, assembly and start-up
- Safe operation, maintenance and troubleshooting, disposal
- Accessories

Validity of the manual

The manual describes the RollerDrive EC1xx as it is delivered by Interroll.

In addition to this manual, special contractual agreements and technical documents apply to special versions.

The manual is part of the product

- For trouble-free, safe operation and warranty claims, read the manual and follow the instructions before handling the RollerDrive EC1xx.
- Keep the manual near to the RollerDrive EC1xx.
- Pass the manual on to any subsequent operator or occupant of the RollerDrive EC1xx.
- Interroll does not accept any liability for malfunctions or defects due to non-observance of this manual.
- If you have any questions after reading the operation manual, feel free to contact our customer service. See the last page for your local contact.

Warnings in this manual

The warnings in this document refer to risks which may arise while using the RollerDrive EC1xx. For relevant warnings, see *"Safety"*, page 4 and the warnings at the beginning of each chapter.



There are three categories of danger. The following signal words are used in the document as required:

- Danger
- Warning
- Caution

Signal word	Meaning
Danger	Indicates a hazardous situation which, if not avoided, will result in death or serious injury.
Warning	Indicates a hazardous situation which, if not avoided, could result in death or serious injury.
Caution	Indicates a hazardous situation which, if not avoided, may result in minor or moderate injury.

Introduction

Structure of warnings

	 DANGER
	<p>Nature and source of the hazard Possible consequence of non-observance</p> <p>➤ Information about how to avoid the hazard.</p>

Further symbols

	NOTICE
	<p>This symbol identifies possible material damage.</p> <p>➤ Information about how to avoid damage.</p>



This symbol displays safety instructions.



This symbol marks useful and important information.

➤ This symbol marks the steps that have to be carried out.

Safety

General safety instructions

The RollerDrive EC1xx is designed according to the technical state of the art and is reliable in operation, once distributed. However, risks may still arise.

- Risks of physical injury to the user or bystanders.
- Adverse effects of the RollerDrive and other material.



Disregarding the warnings in this manual may lead to serious injury.

- Always read the entire operating and safety instructions before starting to work with the RollerDrive and follow the information contained herein in full.
- Only instructed and qualified persons may work with the RollerDrive.
- Always keep this user manual at hand when working on the RollerDrive so that you can consult it quickly if required.
- Always comply with relevant national safety regulations.
- If you have any questions after reading this user manual, feel free to contact our customer service. See the last page for contact information.

Intended use

The RollerDrive EC1xx may only be used for industrial applications and in an industrial environment to convey goods such as parts, cartons, totes or boxes. It must be integrated in a conveyor module or a conveying system. Any other use is not permitted.

Any changes that affect the safety of the product are not allowed.

The RollerDrive EC1xx may only be used within the given operation limits.

Unintended use

The RollerDrive EC1xx may not be used to transport persons, bulk cargo or small parts.

The RollerDrive is not intended for use under impact or shock loads.

Applications not according to the intended use of the RollerDrive EC1xx require approval from Interroll.

Safety

Qualified persons

Qualified persons are persons who read and understand the manual and, taking national regulations into account, can competently execute incidental work.

Only instructed and qualified persons may work with the RollerDrive, taking the following into account:

- the relevant manuals and diagrams,
- the warning and safety instructions in this manual,
- the system specific regulations and requirements,
- national or local regulations and requirements for safety and accident prevention.

Dangers



The following list informs you about the various types of danger or damage that may occur while working with the RollerDrive EC1xx.

- | | |
|----------------------------------------|----------------------------------------------------------------------------------------------------------------------------------------------------------------------------------------------------------------------------------------------------------------------------------------------------------------------------------------------------------------------------------------------------------------------------|
| Persons | <ul style="list-style-type: none">➤ Maintenance or repair work must only be executed by authorized and qualified persons in accordance with the applicable regulations.➤ Before turning on the RollerDrive, ensure that no unauthorized persons are near the conveyor. |
| Electricity | <ul style="list-style-type: none">➤ Only perform installation and maintenance work after you have switched off the power. Ensure that the RollerDrive cannot be turned on accidentally. |
| Rotating parts | <ul style="list-style-type: none">➤ Keep your fingers and hair away from moving parts.➤ If you have long hair, always wear a hair net.➤ Never wear loose clothing.➤ Never wear jewellery, such as necklaces or bracelets.➤ Wear safety shoes. |
| Working environment | <ul style="list-style-type: none">➤ Do not use the RollerDrive in explosive atmospheres.➤ Always remove materials and objects which are not required from the work area.➤ Wear safety shoes.➤ Regulate and monitor careful placement of the goods on the conveyor. |
| Malfunctioning during operation | <ul style="list-style-type: none">➤ Regularly check the RollerDrive for visible damage.➤ In case of fumes, unusual noise or blocked or damaged goods, stop the RollerDrive at once and ensure that the RollerDrive cannot be started accidentally.➤ Contact qualified personnel immediately to find the source the malfunction.➤ Do not step on the RollerDrive during operation. |
| Maintenance | <ul style="list-style-type: none">➤ As the product is maintenance free, you only need to check regularly for visible damages, unusual noise and that the screws and nuts are still tightened.➤ Do not open the RollerDrive. |
| Accidental start-up | <ul style="list-style-type: none">➤ Make sure that the RollerDrive cannot start up accidentally, particularly during assembly, maintenance work and in the event of a fault. |

Safety

Interfaces

By assembling the RollerDrive in a conveyor module, potential hazards may occur. These are not described in this manual and have to be analyzed during the design, installation, and startup of the conveyor module.

- After assembling the RollerDrive in a conveyor module, check the whole system for any new potential dangerous condition prior to turning on the conveyor.

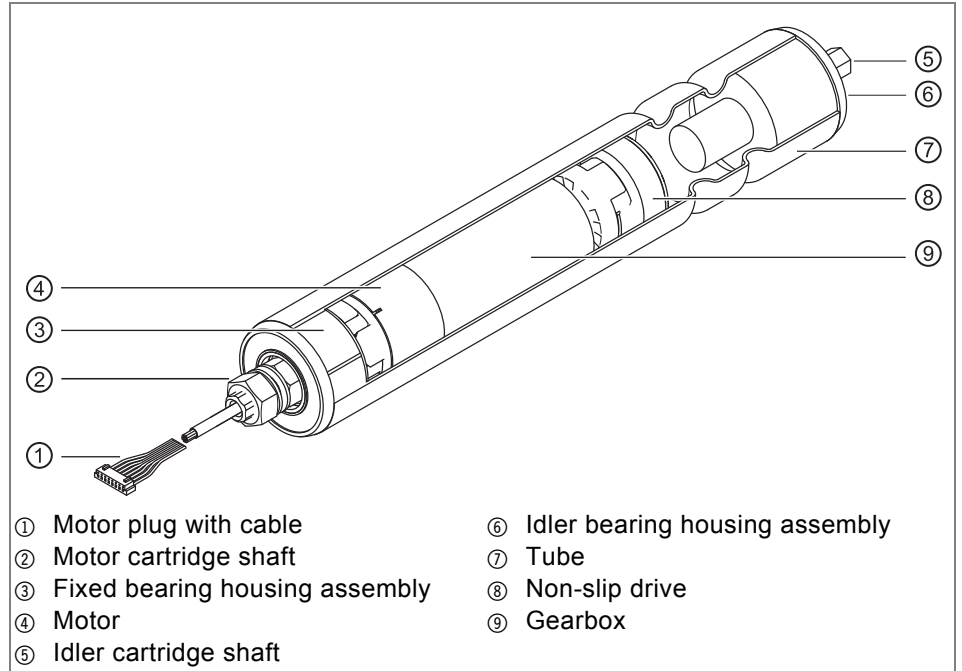
Operating modes

Normal mode	Operation of the installed device at the end customer's as a component in a conveyor in a complete system.
Special mode	All operating modes which are required to guarantee and maintain safe and normal operation.

Special operating mode	Explanation	Comment
Transport/Storage	Loading and unloading, transport and storage	-
Assembly/Initial start-up	Installation at the end customer's and performing the test run	When de-energized
Cleaning	External cleaning	When de-energized
Maintenance/Repairs	Maintenance and inspection tasks	When de-energized
Troubleshooting	Troubleshooting in the event of a fault	When de-energized
Fault elimination	Eliminating the fault	When de-energized
Shut-down	Dismantling from the conveyor	When de-energized
Disposal	Disposal of RollerDrive and packaging	-

Product information

Components



Product Description

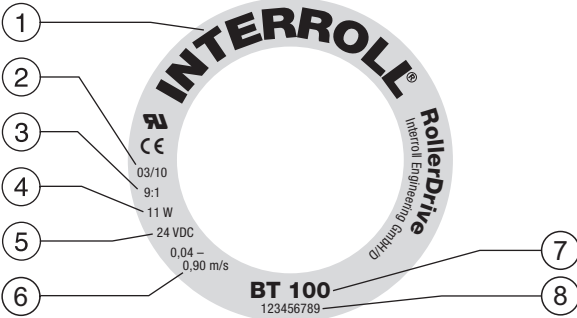
The RollerDrive EC1xx is sealed in accordance with Protection Class IP54.

A corresponding DriveControl is required to operate the RollerDrive EC1xx (see "*DriveControls for the RollerDrive EC1xx*", page 11).

Product information

RollerDrive label

The specifications on the RollerDrive label are used to identify the RollerDrive. This is required to use the RollerDrive as intended.



Type plate

① Manufacturer	⑤ Nominal voltage
② Date of production	⑥ Speed range
③ Gear ratio	⑦ Type of RollerDrive
④ Performance	⑧ Serial number

Product identification

To identify a RollerDrive, the following information is required. You may enter the values of your RollerDrive in the last column.

Information	Possible value	Own value
RollerDrive label	Motor type Gear ratio Serial number	
Tube diameter	50 mm or 1.9 in	
Tube material	Zinc-plated, galvanized, aluminum or stainless steel (with or without sleeves)	
Roller length	EL/BF	
Roller transmission	Torque transmission	
Idler cartridge shaft	Spring loaded or floating (see "Dimensions of bearing seats on the non-driven side", page 13)	

Product information

Technical specifications

RollerDrive	EC100	EC110
Rated voltage	24 VDC	24 VDC
Voltage range	22 to 28 VDC	22 to 28 VDC
Idle current	0.6 A	0.6 A
Maximum continuous current	1.8 A	2.5 A
Maximum peak current	4.1 A	4.1 A
Mechanical power	18 W	31 W
System efficiency (drive)	42%	52%
Maximum ripple from power supply	5%	5%
Noise emission (mounted)	55 dB(A)	55 dB(A)
Protection classification	IP54	IP54
Ambient temperature in operation	0 °C to 40 °C (32 °F to 104 °F)	
Ambient temperature during transport and storage	-20 °C to 75 °C (-4 °F to 167 °F)	
Temperature changes	max. 1 °K/min; 3 h; two cycles in acc. with IEC 68-2-14	
Air humidity	max. 90% not condensing	
Installation height above sea level	max. 1000 m (max. 3300 ft)	



Mechanical performance, performance data and performance charts are on basis of 20 °C (68 °F).

Product information

Performance data of the RollerDrive EC100 with DriveControl

Gear ratio	Rated torque (1.8 A)	Start-up torque with DriveControl DC- EC100 (4.1 A)	Start-up torque with DriveControl HC- EC100 (4.1 A) ¹⁾	Maximum speed
12:1	0.37 Nm (3.3 in-lbf)	1.0 Nm (8.9 in-lbf)	1.4 Nm (12 in-lbf)	1.32 m/s (260 fpm)
16:1	0.48 Nm (4.2 in-lbf)	1.5 Nm (13.3 in-lbf)	1.8 Nm (16 in-lbf)	1.03 m/s (202 fpm)
24:1	0.75 Nm (6.6 in-lbf)	2.2 Nm (19.5 in-lbf)	2.8 Nm (25 in-lbf)	0.69 m/s (135 fpm)
36:1	1.17 Nm (10.4 in-lbf)	3.0 Nm (26.6 in-lbf)	3.8 Nm (34 in-lbf)	0.44 m/s (88 fpm)
48:1	1.24 Nm (11.0 in-lbf)	4.0 Nm (35.4 in-lbf)	5 Nm (44 in-lbf)	0.35 m/s (68 fpm)
64:1	1.82 Nm (16.1 in-lbf)	5.2 Nm (46.0 in-lbf)	6.1 Nm (54 in-lbf)	0.25 m/s (50 fpm)
96:1	3.00 Nm (26.6 in-lbf)	9.8 Nm (86.7 in-lbf)	11.3 Nm (100 in-lbf)	0.17 m/s (34 fpm)

¹⁾ The HC-EC100 provides higher peak torque. Nominal torque is similar to the DC-EC100.

Maximum static load per roller not more than 40 kg (88 lb).

Performance data of RollerDrive EC110 with DriveControl HC-EC110

Gear ratio	Rated torque (2.5 A)	Start-up torque (4.1 A)	Maximum speed
4:1	0.34 Nm (3 in-lbf)	1.2 Nm (11 in-lbf)	2.41 m/s (475 fpm)
9:1	0.75 Nm (6.6 in-lbf)	2.6 Nm (23 in-lbf)	1.07 m/s (211 fpm)
12:1	1.0 Nm (8.8 in-lbf)	3.5 Nm (31 in-lbf)	0.8 m/s (158 fpm)
16:1	1.5 Nm (13 in-lbf)	4.2 Nm (37 in-lbf)	0.6 m/s (119 fpm)
24:1	2.2 Nm (19.5 in-lbf)	5.8 Nm (51 in-lbf)	0.4 m/s (79 fpm)
36:1	3.0 Nm (26.5 in-lbf)	9.2 Nm (81 in-lbf)	0.27 m/s (53 fpm)
48:1	3.4 Nm (30 in-lbf)	11.5 Nm (102 in-lbf)	0.2 m/s (40 fpm)
64:1	4.25 Nm (37.6 in-lbf)	13.2 Nm (117 in-lbf)	0.15 m/s (30 fpm)

¹⁾ Maximum static load per Roller not more than 40 kg (88 lb). The information refers to continuous operation under maximum load (S1 operation).

Product information

DriveControls for the RollerDrive EC1xx

Interroll recommends using the RollerDrive EC1xx in combination with the corresponding Interroll DriveControl.

RollerDrive	Corresponding DriveControl	Description
EC100	DC-EC100	Motor control card without ZPA functionality
	HC-EC100	ZPA and motor control on one board, can be used separately
EC110	HC-EC110	ZPA and motor control on one board, can be used separately

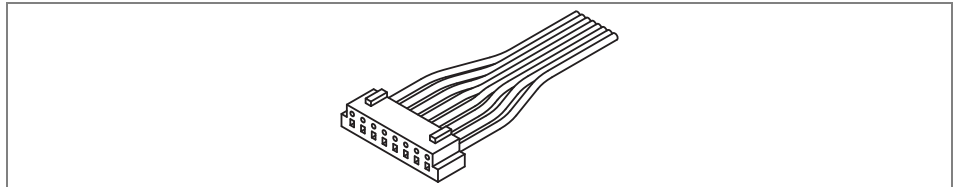


For DriveControl details, see the corresponding operation manual, catalogs or publication at www.interroll.com.

Motor plug

The motor plug for RollerDrive EC1xx is manufactured by AMP, consisting of a plug (AMP-part # 175778-8) and terminal pins (AMP-part # 1-175102-1). In case of ripped out cables the plug can be repaired using a crimping tool available directly from AMP (part # 9184381).

Motor lead wire color code

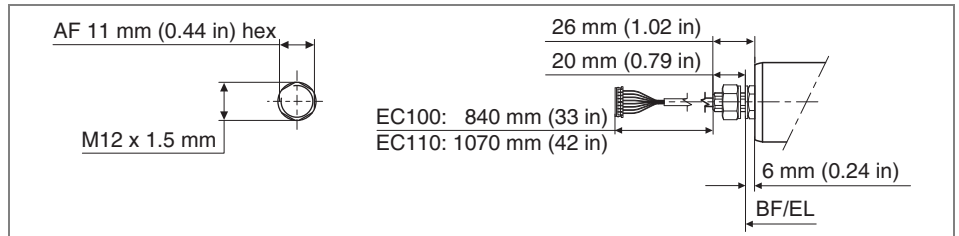


Color	Lead	Description	
Black	Phase C	Motor leads with AWG 22 (0.32 mm ²)	
White	Phase B		
Red	Phase A		
Yellow	S3 (C)	Hall effects sensor leads with	
Orange	S2 (B)		• AWG 26 (0.13 mm ²) for EC100
Brown	S1 (A)		• AWG 22 (0.32 mm ²) for EC110
Blue	4.5 to 20 VDC		
Green	Ground		

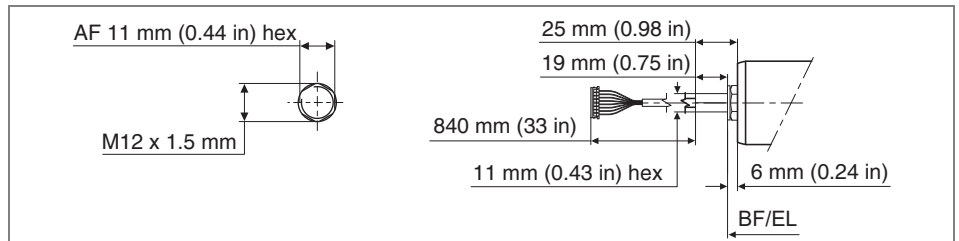
Product information

Dimensions of motor shaft

Standard configuration



EC110 solid hex configuration



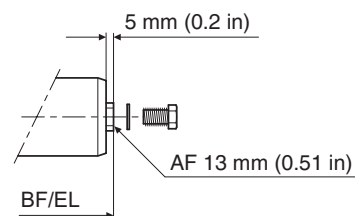
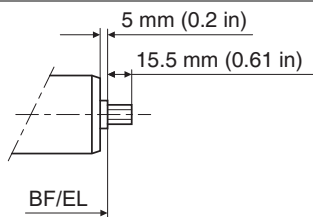
Product information

Dimensions of bearing seats on the non-driven side

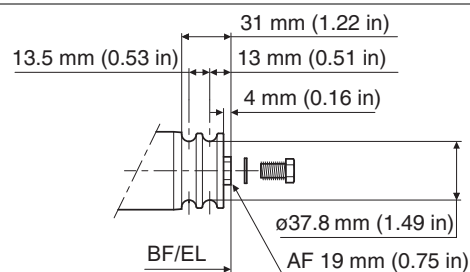
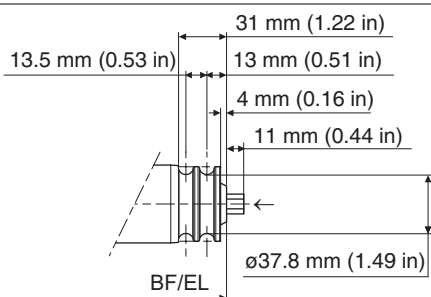
11 mm (0.44 in) hex, Spring-loaded shaft

Female threaded M8 (FTM8),

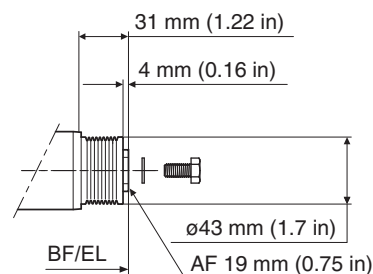
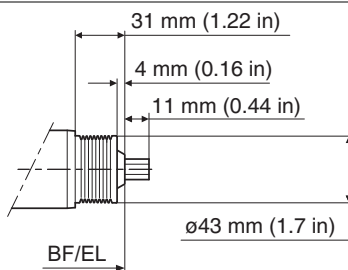
Straight



Round belt head

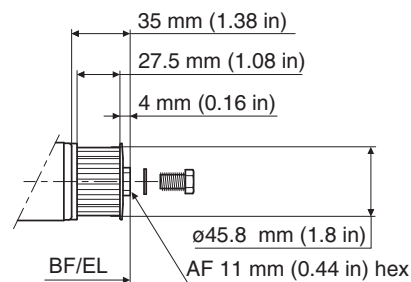


PolyVee head



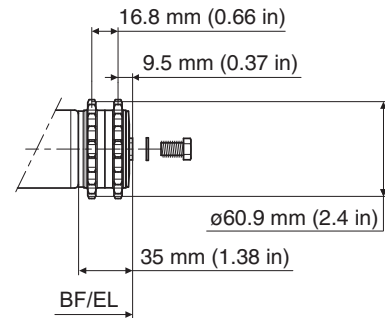
Toothed belt head

Poly-Chain GT; 8 mm pitch; 18 teeth



Product information

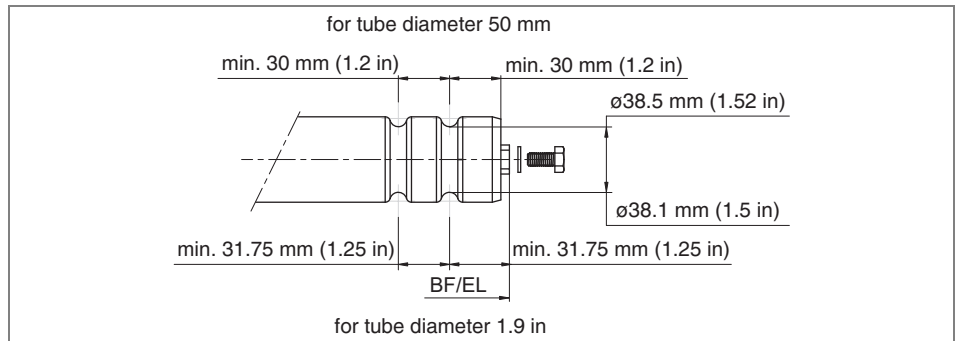
11 mm (0.44 in) hex, Spring-loaded shaft	Female threaded M8 (FTM8),
Sprocket head	11 mm (0.44 in) hex shaft; 3/8 in pitch; 20 teeth



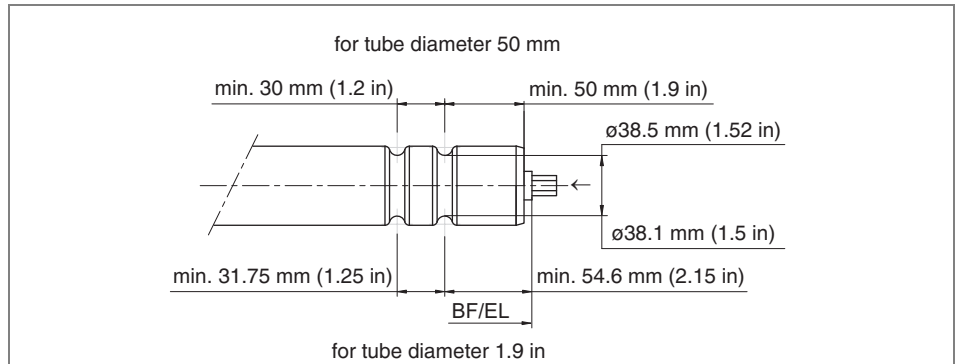
BF/EL = Between Frames / Installation Length

Round belt groove locations

Female thread IGM8, single bearing



Spring-loaded hex, double bearing



Other tube groove locations are possible.

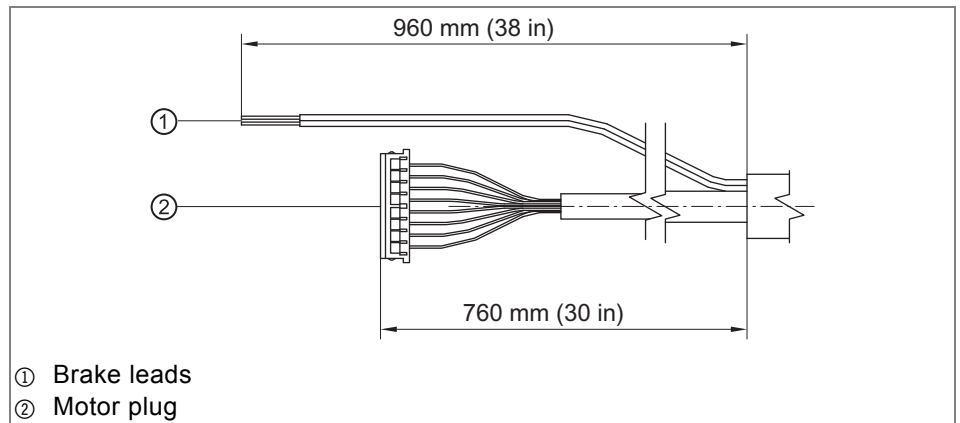
Conical RollerDrives

For conical RollerDrives there must be an 1.8° angle compensation on the motor end to avoid bending forces on the RollerDrive.

Product information

Failsafe brake for RollerDrive EC100

Optionally, the RollerDrive EC100 is also available with a failsafe brake (then called EC100B), which is designed to hold the RollerDrive in position in case of a power shut down, mainly at declines. The brake shall be used as holding brake only and not as a dynamic brake (e.g. not for deceleration or positioning).



Recommended break leads connection:

- Green lead with red stripes: 24 VDC
- Green lead with blue stripes: GND

The fail save brake is not sensitive to electrical polarity, so it can be connected bi polar; for clearness it is recommended to connect them as stated above.

Technical data

Nominal voltage	24 VDC
Voltage range	0 to 28 VDC
Brake locking voltage	max. 6.0 VDC
Brake releasing voltage	min. 12.2 VDC
Current consumption	0.167 A
Internal resistance	144 Ω
Lead wires	AWG 22 Teflon
Gear ratio	Static holding torque
24:1	8.4 Nm (74.3 in-lbf)
36:1	12.6 Nm (111.5 in-lbf)
48:1	16.8 Nm (148.7 in-lbf)
64:1	22.4 Nm (198.2 in-lbf)
96:1	33.6 Nm (297.4 in-lbf)



The RollerDrive EC100 (12:1) and RollerDrive EC100 (16:1) are not available with failsafe brake.

Transport and storage

Transport

- Each RollerDrive is covered at its ends with end-protectors.



CAUTION

Risk of injury due to improper transport

- Transport may only be carried out by qualified and authorized persons.
 - Observe the following notices.
-
- Do not stack pallets.
 - Check the fixation of the RollerDrives before transport.
 - Avoid hard shocks during transport.
 - Check each RollerDrive visually for damage after transport.
 - In case of damage, take photos of the damaged parts.
 - To maintain the warranty, instantly report any damage caused during transport to the transport company and to Interroll.
 - Do not transfer the RollerDrives between warm and cold environments as this may cause condensing water.

Storage




CAUTION

Risk of injury due to improper storage

- Do not stack pallets.
 - Do not stack more than four carton boxes.
-
- Check each RollerDrive for damage after storage.

Assembly

Warning information for assembly

	CAUTION
<p>Rotating parts Risk of pinched fingers</p> <ul style="list-style-type: none">➤ Do not insert fingers between the RollerDrive and the round belt, PolyVee belt or roller chain.➤ Install a protection device (such as a guard plate) to prevent fingers from getting trapped in the round belt, PolyVee belt or roller chain.➤ Install an appropriate warning on the conveyor.	

NOTICE	
<p>Risk of damage leading to failure or shortened life expectancy of the RollerDrive</p> <ul style="list-style-type: none">➤ Follow the instructions below.	

- Do not drop or mishandle the RollerDrive to avoid internal damage.
- Check each RollerDrive visually for damage before assembly.
- In order to prevent damage to the internal connections, do not hold, carry or secure the RollerDrive by the motor cable.
- Do not force the RollerDrive when inserting it into the conveyor frame. It should fit easily into the holes in the frame.
- Ensure that the proper tightening torque is applied to the RollerDrive hex nut to prevent the shaft spinning in the frame and the wires twisting (see *"Securing the RollerDrive in the conveyor frame"*, page 21).
- Do not twist the motor cable.

Warning notices for the electrical installation

NOTICE

Risk of damage to the motor and/or the wires of the RollerDrive

➤ Observe the following notices.

- The electrical installation may only be executed by qualified and authorized persons.
- Disconnect the power before installing, removing or rewiring the RollerDrive.
- Do not apply AC current to the RollerDrive or DriveControl device at any time, as this will cause irreparable damage.
- Do not apply too much tension and pressure stress to the motor connector. Bending the cable and forcing the star washer over the cable can cause damage to the insulation of the cable, which could result in failure of the RollerDrive.
- Ensure that the RollerDrive, the DriveControl and the 24 VDC power source are properly earthed through the frame or supporting structure in which the RollerDrive and the DriveControl are installed. Incorrect earthing can result in the buildup of static charge, which can cause the motor or DriveControl to malfunction or fail prematurely.
- Do not bend the motor cable at the motor shaft. Leave a minimum of 12 mm (0.5 in) of excess cable for stress relief. (Maintain a bending radius of at least five times the cable diameter.)
- Do not rotate the RollerDrive manually, as this generates a voltage which could damage the DriveControl.

Assembly

RollerDrive installation

Inserting the motor shaft

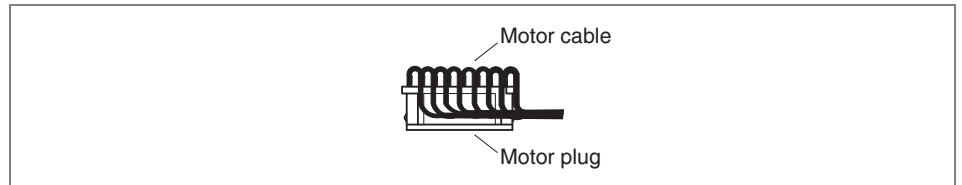
- Remove the shipping tube from the RollerDrive.



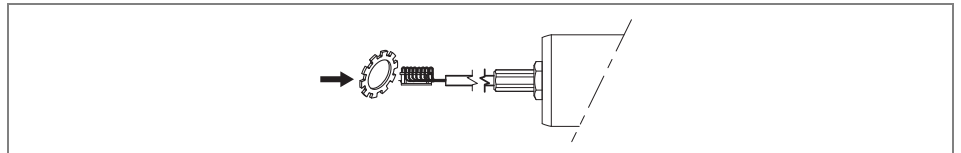
Use caution when cutting the tie-wrap from the harness. Do not cut any of the sleeving or cables on the unit.



To pass the motor plug through holes, fold the motor cable as follows.



- Place the first star washer on the motor shaft.

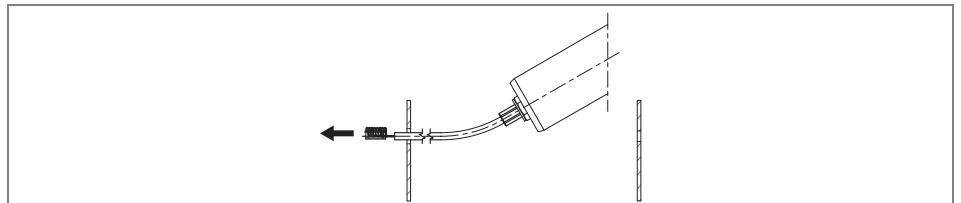


- Pass the motor cable through the 11 mm (0.44 in) hex hole in the conveyor frame and insert the motor shaft into the hex hole.

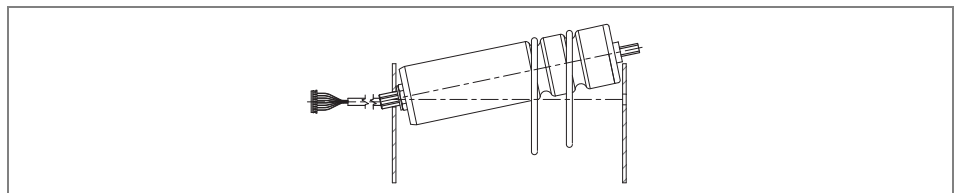
NOTICE

Internal damage of the RollerDrive due to improper handling

- Do not install the securing hardware at this time.
- Do not bend the motor cable at the motor shaft. Leave a minimum of 12 mm (0.5 in) of excess cable for stress relief.



- Fit one or two round belts, size 4 mm, max. 5 mm (3/16 in) or RollerDrive belts (if used) on the non-driven end of the RollerDrive.



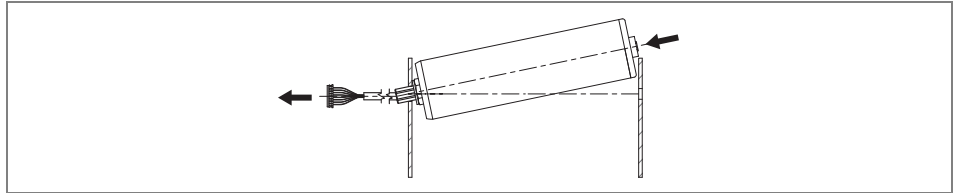
Assembly

Inserting the idler shaft

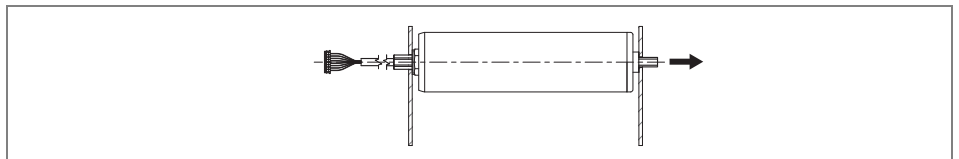
How the idler shaft is inserted in the conveyor frame depends on the idler shaft option. The easiest installation option is the spring-loaded shaft option.

Inserting the spring-loaded idler shaft

- Push the spring-loaded idler shaft inwards and align the shaft with the hole in the frame.

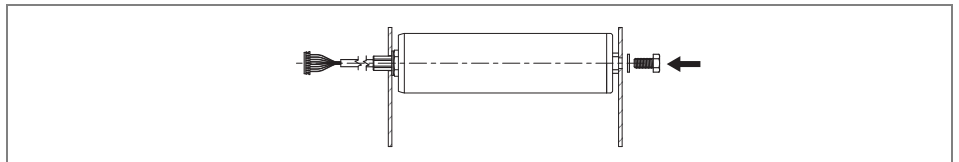


- Release the idler shaft and allow it to pop into the hole in the frame.



Inserting the FTM8 idler shaft

- Place a split lock washer onto a M8x20 bolt.
- Align the RollerDrive with the hole in the frame and thread the M8 bolt and split lock washer into the shaft. Use a wrench to prevent the shaft pin from turning (width across flats AF 13 mm or AF 19 mm, depending on the shaft pin type, see "Round belt groove locations", page 14).



- Use a torque wrench to tighten the bolt with 20 Nm (177 in-lbf) until the split washer is completely compressed.

Assembly

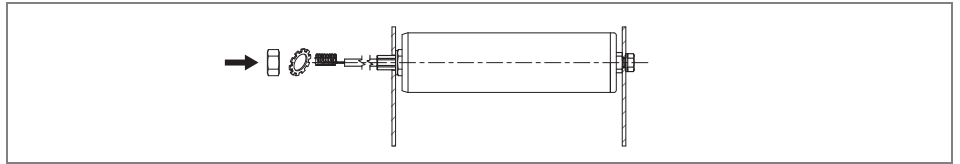
Securing the RollerDrive in the conveyor frame

There is a nut and a washer on the shaft next to the tube. This inner nut has been preassembled and secured in the correct position.



Do not adjust the inner nut and washer.

- Use a flat wrench AF 19 mm to prevent the inner nut from turning. Use a wrench site AF 36 mm in the case of the IP66 configuration.
- Slip a second washer and a hex nut over the motor cable and screw it onto the threaded motor shaft. Ensure that washers are fitted on both sides of the profile.



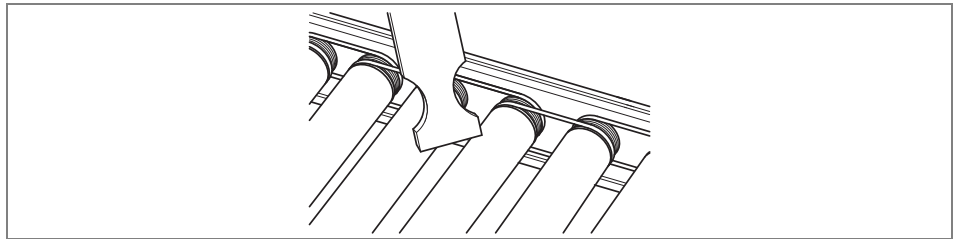
- Use a torque wrench to tighten this outer nut with 35 Nm (308 in-lbf) while ensuring that the inner nut is not rotating.



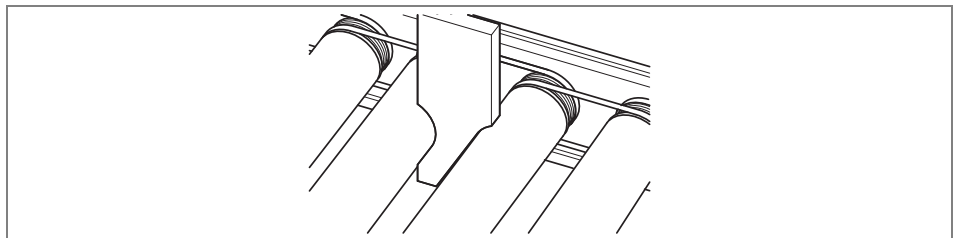
To prevent bending forces on conical RollerDrives, an angular compensation on the motor end is needed.

Mounting tool

For mounting the PolyVee belt, you may want to build a mounting tool as shown in the figure below.



- Place the mounting tool between two rollers to reduce the gap between the adjacent rollers.



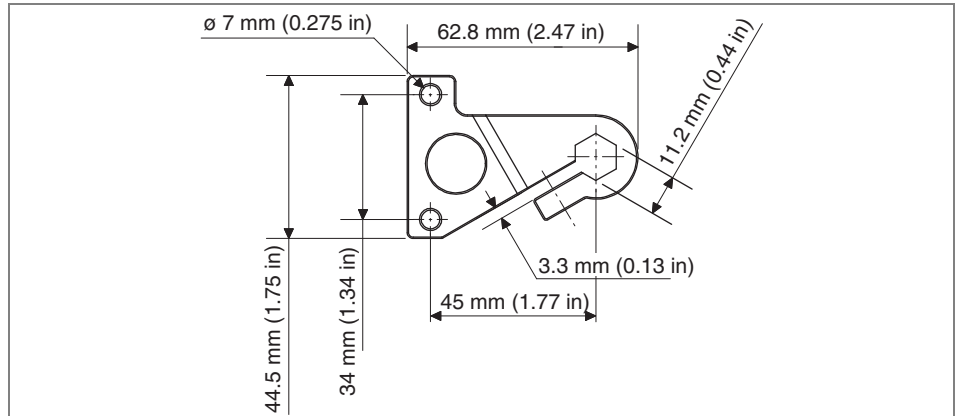
Dimensions of the mounting tool depend on the roller pitch and the roller tube diameter.

Assembly

Anti-spin bracket

The following torque lock must be employed when using the unthreaded hexagonal shaft on the motor side.

Dimensions of the anti-spin bracket (flat up version)

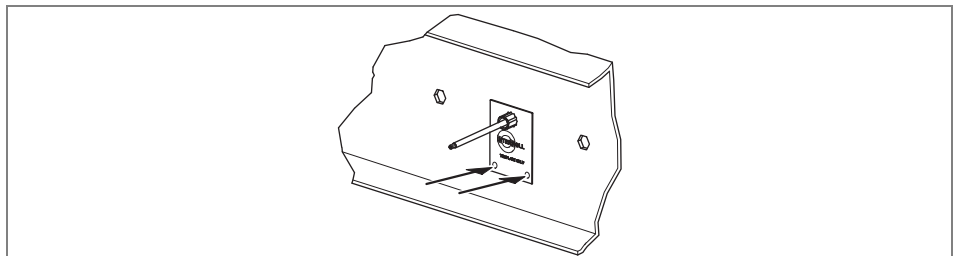


Bill of material of the anti-spin bracket

No.	Description	Quantity
1	Anti-spin bracket	1
2	Template	1
3	1/8" Allen key	1
4	Button head screw	1
5	Serrated flange hex cap screw	2
6	Hex tooth washer nut	2

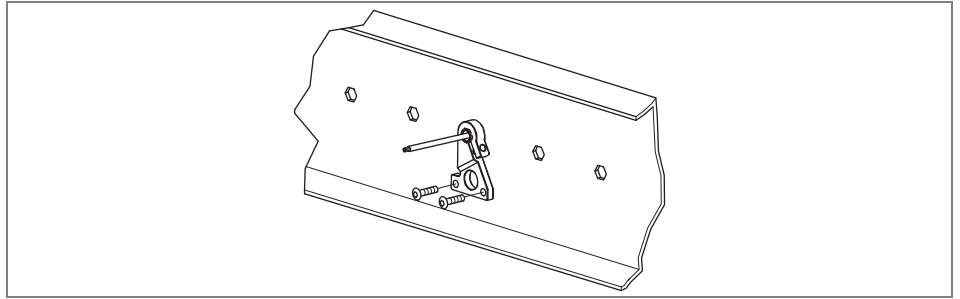
Mounting the anti-spin bracket

- Ensure that the power of the motor control board is switched off and that it cannot be switched on accidentally.
- If connected, disconnect the motor leads from the motor control board.
- Slide the template over the motor leads and onto the hex shaft.
- Use the template to mark the center of the mounting holes.

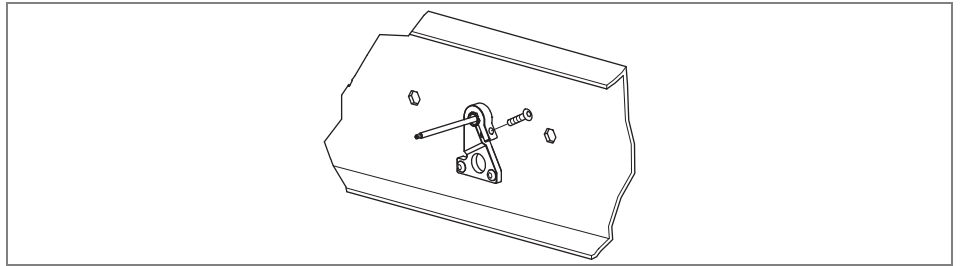


- Remove the template from the hex shaft and the motor leads.
- Drill two $\varnothing 7$ mm (0.275 in) mounting holes at the marked spots and remove burrs from the rear side of the holes.
- Slide the anti-spin bracket with the flat side facing the conveyor frame over the motor leads and onto the hex shaft.
- Put two serrated flange hex cap screws in the bottom holes of the anti-spin bracket and tighten them with the hex tooth washer nuts.

Assembly



- Install the button head screw in the upper hole of the anti-spin bracket to secure the shaft to the anti-spin bracket.



Electrical installation

- If you use the recommended DriveControl (see *"DriveControls for the RollerDrive EC1xx"*, page 11), connect the motor plug to the DriveControl.
- If you do not use the DriveControl, connect your control to the pins of the motor plug (for the pin definition see *"Motor plug"*, page 11)

Initial startup and operation

Initial startup

Inspections before initial startup

- Ensure that no objects are in contact with rotating or moving parts.
- Ensure that all bolts are tightened according to the specifications.
- Ensure that no additional dangerous areas arise due to interfaces with other components.
- Ensure that the wiring is in accordance with specifications and legal guidelines.
- Check all protection devices.
- Ensure that no bystanders are in dangerous areas around the conveyor.



For information about startup, see the manual for the DriveControl or your control.

Operation



CAUTION

Rotating parts and accidental start-up

Risk of pinched fingers

- Do not insert fingers between the RollerDrive and the round belt, PolyVee belt or roller chain.
- Do not remove the protection device.
- Keep fingers, hair and loose clothing away from the RollerDrive.

NOTICE

Damage to the motor or the control due to induction

- Do not push items along the roller conveyor by hand.
- Do not spin the RollerDrive manually.

Inspections before every startup

- Check the RollerDrive for visible damage.
- Check all protection devices.
- Ensure that no bystanders are in dangerous areas around the conveyor.
- Clearly specify and monitor the way goods are placed on the conveyor.
- Make sure that the RollerDrive is not blocked.




Ambient conditions during operation see *"Technical specifications"*, page 9

Procedure in case of accident or malfunction

- Stop the conveyor at once and ensure that it cannot be started accidentally.
- In case of an accident: Provide first aid and call for emergency assistance.
- Inform responsible persons.
- Have the malfunction repaired by qualified persons.
- Start the conveyor only after this has been approved by qualified persons.

Maintenance and cleaning

Warnings concerning maintenance and cleaning

	<p>CAUTION</p> <p>Risk of injury due to improper handling or accidental motor starts</p> <ul style="list-style-type: none"> ➤ Maintenance work and cleaning may only be executed by qualified and authorized persons. ➤ Only perform maintenance work after switching off the power. Ensure that the RollerDrive cannot be turned on accidentally. ➤ Set up signs indicating maintenance work.
-----------------------------------------------------------------------------------	-----------------------------------------------------------------------------------------------------------------------------------------------------------------------------------------------------------------------------------------------------------------------------------------------------------------------------------------------------------------------------------------------------------------------------------------------

Maintenance

Checking the RollerDrive

If the RollerDrive is not secured as specified in the installation instructions (see "Assembly", page 17), it may rotate in the hole in the conveyor frame. This will result in the roller leads becoming twisted and eventually severed.

- Monthly check the RollerDrive for visible damage.
- Annually ensure that the roller shaft is secured properly in the conveyor frame.

Replacing a RollerDrive

If a RollerDrive is damaged or broken down, it has to be replaced.

- Install a new RollerDrive (see "Abandonment", page 27 and see "RollerDrive installation", page 19).

Cleaning

Increased surface friction reduces the roller speed since more power is used to overcome the resistance. Therefore, in a dirty environment, periodic cleaning will ensure good contact with the goods and reduce friction.

- Remove foreign materials and dirt with a simple cleaning brush (not a wire brush) by brushing gently.
- Remove smaller amounts of dirt with a damp cloth. When doing this, make sure that wetting of the RollerDrive is no more than slightly damp.
- Do not use sharp-edged tools to clean the roller.

Troubleshooting

Troubleshooting



CAUTION



Risk of injuries due to incorrect handling

- Troubleshooting may only be done by qualified and authorized persons.
- Only perform troubleshooting after switching off the power.
- Ensure that the RollerDrive cannot be turned on accidentally.

Symptom	Possible cause	Help
RollerDrive is not operating	No power supply	Check 24 VDC power supply at the DriveControl.
	Plugs not connected properly	Check cable connection.
RollerDrive is rotating in the wrong direction.	Wrong direction settings	Change setting of direction switch on DriveControl.
RollerDrive is rotating at the wrong speed.	Wrong speed settings	Change setting of potentiometer on DriveControl.
Abnormal noise coming out of the RollerDrive	Motor or gearbox is damaged	Replace the RollerDrive.
Interrupted RollerDrive operation	Damaged motor cable	Check motor cable for damage. If the motor cable is damaged, replace the RollerDrive.

Abandonment and disposal

Abandonment

	 CAUTION
<p>Risk of injury due to improper handling</p> <ul style="list-style-type: none">➤ Abandonment may only be executed by qualified and authorized persons.➤ Only abandon the RollerDrive after switching off the power. Ensure that the RollerDrive cannot be turned on accidentally.	

- Disconnect the motor cable from the control.
- Unscrew the outer nut at the threaded motor shaft.
- If the RollerDrive has a spring-loaded idler shaft, push the idler shaft inwards.
- If the RollerDrive has a FTM8 idler shaft, unscrew the bolt at the idler shaft.
- Extract the RollerDrive from the conveyor frame.

Disposal

The operator is responsible for the proper disposal of the RollerDrive. In doing so, industry-specific and local provisions must be observed for the disposal of the RollerDrive and its packaging.



Appendix

Accessories

Belt

Part	Description
Toothed belt	<ul style="list-style-type: none"> Gates Poly-Chain GT or similar: pitch 8 mm (0.31 in) Toothed belt width: 11.2 mm (11.18 mm) Hub with 18 teeth
Round belt	<ul style="list-style-type: none"> Belts of 4 mm (0.16 in) and max. 5 mm (0.20 in) diameter
PolyVee belt	<ul style="list-style-type: none"> Drive head with 9 grooves for flexible V-ribbed belts PJ form, ISO 9981, DIN 7867 pitch 2.34 mm (2.29 mm) Belts with a max. of 4 ribs

DriveControls

Part	Description	Part #
DC-EC100	Motor control card (without ZPA functionality)	8996
HC-EC100	HybridControl with ZPA and motor control on one board, but can be used separately	9000
HC-EC100 Full	HybridControl with ZPA, motor control and digital I/O handshake	9001
HC-EC110	HybridControl with ZPA and motor control on one board, but can be used separately	9004

Anti-spin bracket

Part	Description	Part #
Anti-spin bracket flat up	Bottom and top of hex are flat	N582
Anti-spin bracket point up	Bottom and top of hex are pointed	N583

Appendix

Installation Declaration

in accordance with the EC Machinery Directive 2006/42/EC, Appendix II B

The manufacturer:

Interroll Engineering GmbH
Hoeferhof 16
D - 42929 Wermelskirchen
Germany

hereby declares with sole responsibility that the product range

- RollerDrive EC1xx

is not a ready-to-use machine as defined by the EC Machinery Directive and, therefore, does not fully comply with the requirements of this directive. Initial start-up of these conveyor modules is not permitted until conformity of the entire machine/system in which they are installed has been declared via the EC Machinery Directive.

The health and safety requirements as stated in Appendix I have been applied. The special technical documents as stated in Appendix VII B have been compiled and will be sent to the responsible authority if necessary.

Person authorized to compile the technical documents:

Interroll Engineering GmbH, Hoeferhof 16, D - 42929 Wermelskirchen

Applied EC directives:

- Machinery Directive 2006/42/EC
- EMC Directive 2004/108/EC
- RoHS Directive 2002/95/EC

Applied harmonized standards:

- EN ISO 12100 Parts 1 and 2 "Safety of machinery - Basic concepts, general principles for design" - Part 1: "Basic terminology, methodology" - Part 2: "Technical principles"

Wermelskirchen, 31st March 2010

Armin Lindholm
(Managing Director)

(This declaration can be obtained at www.interroll.com, if needed.)



Europe

Austria
Tel + 49 2193 23 187
at.sales@interroll.com

Belgium
Tel. + 49 2193 23 259
be.sales@interroll.com

Czech Republic
Interroll CZ, s.r.o.
Na Rádku 7/3172
69002 Břeclav
Czech Republic
Tel + 420 519 330 210
cz.sales@interroll.com

Denmark
Interroll Nordic A/S
Hammerholmen 2-6
2650 Hvidovre
Denmark
Tel + 45 36 88 33 33
dk.sales@interroll.com

Finland
Interroll Nordic A/S
Martinkyläntie 53
01720 Vantaa
Finland
Tel + 358 9 54 94 94 00
fi.sales@interroll.com

France
Interroll SAS
Z.I. De Kerannou-BP34
29250 Saint-Pol-de-Leon
France
Tel + 33 2 98 24 41 00
fr.sales@interroll.com

Germany
Interroll Fördertechnik GmbH
Höferhof 16
42929 Wermelskirchen
Germany
Tel + 49 2193 23 0
de.sales@interroll.com

Hungary
Lörincz Kft.
Kastély U.27
Pf. 57
2045 Törökbálint
Hungary
Tel + 36 23 337 891
hu.sales@interroll.com

Iceland
IBH ehf
Dugguvogur 10
104 Reykjavík
Iceland
Tel + 354 562 6858
ingi@bh.ehf.is

Italy
Rulli Rulmeca S.P.A.
Via Arturo Toscanini 1
24011 Almè (Bg)
Italy
Tel + 39 035 43 00 111
vendite@rulmeca.it

Luxembourg
Tel + 49 2193 23 259
be.sales@interroll.com

Netherlands
Tel + 49 2193 23 151
nl.sales@interroll.com

Norway
Interroll A/S
Kobbervikdalen 65
3036 Drammen
Norway
Tel + 47 32 88 26 00
no.sales@interroll.com

Poland
Interroll Polska Sp. z o.o.
ul. Plochocińska 85
03-044 Warszawa
Poland
Tel + 48 22 741 741 0
pl.sales@interroll.com

Portugal
Rulmeca de Portugal, LDA
Parque Industrial do Tortosendo
Edifício Parkurbis, Loja 7
Apartado 113
6200-865 Tortosendo
Portugal
Tel + 351 275 33 07 80
rulmeca@rulmeca-interroll.pt

Romania
Krako International SRL
Str. Sfanta Maria 1-5
Bl. 10A4
Sc 1 Apt 4 Sector 1
001494 Bucuresti
Romania
Tel + 40 21 260 2050
ro.sales@interroll.com

Slovenia
3-TEC, prehrambena-
tehnologija-hlajenje
Dravska ulica 7
1000 Ljubljana
Slovenija
Tel + 386 1 56 56 370
si.sales@interroll.com

Spain
Interroll España S.A.
Parc Tecnològic del Vallès
C/Dels Argenters, 5 Edifici 1
Bp y Cp
08290 Cerdanyola del Vallès
Barcelona
Spain
Tel + 34 90 211 0860
es.sales@interroll.com

Sweden
Interroll Nordic A/S
Karlsvägen 64
302 41 Halmstad
Sweden
Tel + 46 35 227 077
se.sales@interroll.com

Switzerland
Tel. + 49 2193 23 190
ch.sales@interroll.com

United Kingdom
Interroll Ltd.
Brunel Road
Corby, Northants NN17 4UX
United Kingdom
Tel + 44 1536 200 322
gb.sales@interroll.com

Africa

South Africa
Interroll South Africa (Pty) Ltd
Box 327
Isando 1600
Gauteng
South Africa
Tel + 27 11 281 99 00
za.sales@interroll.com

North and South America

Canada
Interroll Checkstand
8900 Keele Street
Unit 2 & 3
Concord, Ontario L4K 2N2
Canada
Tel + 1 905 660 4426
ca.sales@interroll.com

Interroll Canada Ltd.
1201 Gorham Street
Newmarket Ontario L3Y 8Y2
Canada
Tel + 1 905 727 33 99
ca.sales@interroll.com

USA
Interroll Corporation
3000 Corporate Drive
Wilmington, N.C. 28405
USA
Tel + 1 910 799 1100
us.sales@interroll.com

Interroll Automation LLC
5035 Keystone Boulevard
Jeffersonville, IN 47130
USA
Tel + 1 812 284 1000
us.sales@interroll.com

Interroll Dynamic Storage, Inc.
232 Duncan Circle
Hiram, GA 30141
USA
Tel + 1 770 943 15 41
ca.sales@interroll.com

Brazil
Interroll Logistica
Elementos para Sistemas
Transportadores Ltda
Rua Dom João VI
555 - Parque Industrial SA
Pindamonhangaba-SP
CEP 12412-805
Brazil
Tel + 55 (0)12 3648 8021
br.sales@interroll.com

Asia

China
Interroll (Suzhou) Co. Ltd.
Block B & C
Ecological Science Hub
No. 1 Ke Zhi Road
Suzhou Industrial Park
Jiangsu Province
China
Postal Code: 215021
Tel + 86 512 62560383
cn.sales@interroll.com

India
Interroll Drives and Rollers
India Pvt. Ltd.
No. 276, 4th main, 4th phase
Peenya Industrial Area
Bangalore-560058
India
Tel + 91 080 41272666
in.sales@interroll.com

Israel
Comtrans-Tech Ltd.
P.O.B. 17433
Tel-Aviv 61174
Israel
Tel + 972 54 4272747
il.sales@interroll.com

Japan

Interroll Japan Co. Ltd.
302-1 Shimokuzawa
Midori-ku
Sagamihara-shi
Kanagawa 252-0134
Japan
Tel + 81 42 764 2677
jp.sales@interroll.com

Korea
Interroll (Korea) Co. Ltd.
Rm 301
Dongsan Bldg, 333-60
Shindang-Dong
100-826 Choong Ku, Seoul
Tel + 82 2 2231 19 00
kr.sales@interroll.com

Singapore
Interroll (Asia) Pte. Ltd.
386 Jalan Ahmad Ibrahim Jurong
629156 Singapore
Republic of Singapore
Tel + 65 6266 6322
sg.sales@interroll.com

Sri Lanka
Colombo Machinery
& Equipment Ltd.
No: 102, Fife Road
Colombo 05
Sri Lanka
Tel + 94 11 250 0078/79
lk.sales@interroll.com

Taiwan
First Auto-Transfer Equipment
Co. Ltd
8F-3, No: 65, Song De Road
Hsin Yi District
Taipei 11076
Taiwan
Tel + 886 2 27 59 88 69
tw.sales@interroll.com

Thailand
Interroll (Thailand) Co. Ltd.
700/685, Moo 1
Amata Nakorn
Panthong, Chonburi
20160
Thailand
Tel + 66 3 844 7448
th.sales@interroll.com

Australia and New Zealand

Australia
Interroll Australia Pty. Ltd.
70 Keon Parade
Thomastown
Victoria 3074
Australia
Tel + 61 3 94 60 21 55
au.sales@interroll.com

New Zealand
Automation Equipment
(NZ) Ltd.
26 Tawn Place,
Pukete, Hamilton
New Zealand
Tel + 64 (7) 849 0281
nz.sales@interroll.com

Headquarter
Interroll (Schweiz AG)
+ 41 91 850 25 25
info@interroll.com

www.interroll.com